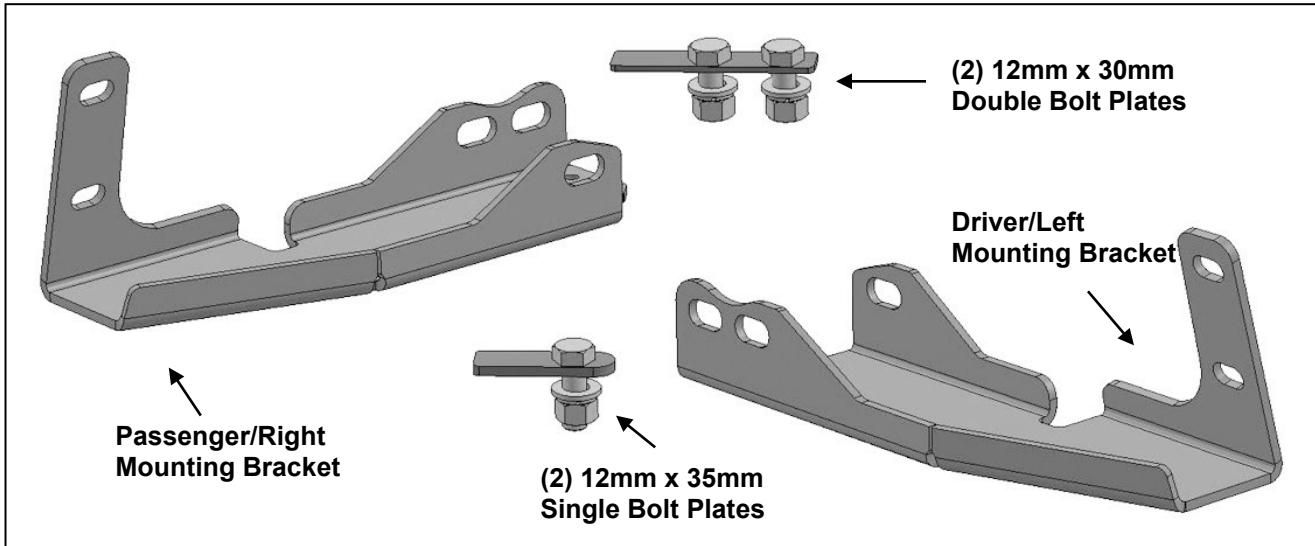


PARTS LIST:

1	Bull Bar	6	12mm x 24mm OD x 2.5mm Flat Washers
1	Driver/Left Mounting Bracket	6	12mm Lock Washers
1	Passenger/Right Mounting Bracket	6	12-1.75mm Hex Nuts
2	12-1.75mm x 30mm Double Bolt Plates	4	10-1.50mm x 30mm Hex Bolts
2	12-1.75mm x 35mm Single Bolt Plates	8	10mm x 27mm OD x 3mm Flat Washers
		4	10-1.50mm Nylon Lock Nuts



PROCEDURE:

REMOVE CONTENTS FROM BOX AND VERIFY ALL PARTS ARE PRESENT. READ INSTRUCTIONS CAREFULLY. CUTTING MAY BE REQUIRED. INSTALLATION MAY INTERFERE WITH FRONT MOUNTED SENSORS. NOTE: It may be necessary to remove/relocate front license plate and license plate bracket. It is not required, but strongly recommended. If local/state law requires a front license plate, license plate relocation kit is available.

1. Start installation from under the front of the vehicle. Remove the plastic cover between the bottom of the bumper cover and the frame, **(Figure 1)**.
2. Determine if the vehicle is equipped with tow hooks. **IMPORTANT:** Tow hooks cannot be reinstalled with the Bull Bar.

Tow Hook equipped vehicles:

- a. Remove the factory tow hook from the end of each frame channel, **(Figures 2 & 3)**.
- b. Select the driver/left Mounting Bracket. Insert the Bracket through the opening in the bumper and up to the frame. Trim the plastic as required to clear the Bracket, **(Figure 5)**. Repeat to check for clearance on passenger/right side of bumper.
- c. Proceed to **Step 3**.

Vehicles without tow hooks:

- a. Cut out the indented area in both sides of the plastic bumper insert to clear the Brackets as pictured, **(Figures 4 & 5)**. **NOTE:** It may be easier to temporarily remove the plastic insert from the bumper to cut openings. **IMPORTANT:** Make several small cuts for best fit around Brackets. On some models, the plastic insert may be equipped with removable covers, **(Figure 4)**. Remove covers if equipped.
 - b. Check for clearance between Brackets and opening and trim the plastic as required to clear the Brackets.
 - c. Reinstall plastic insert if previously removed.
3. Line up the holes in the Bracket with the holes in the end of the frame channel for the tow hook, **(Figures 4 & 5)**. Select (1) 12mm Double Bolt Plate, **(Figure 6)**. Insert the Bolt Plate into the end

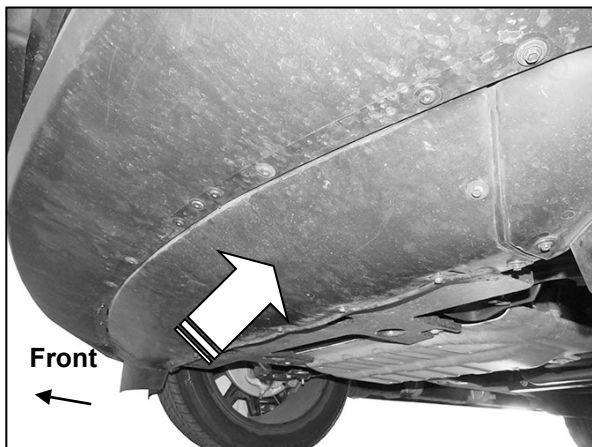
- of the frame and out through the (2) holes in the side of the frame and through the Bracket, **(Figures 6 & 7)**. Secure the Bracket to the Bolt Plate with (2) 12mm Flat Washers, (2) 12mm Lock Washers and (2) 12mm Hex Nuts. Do not fully tighten hardware at this time.
4. Repeat **Step 3** to install the 12mm x 35mm Single Bolt Plate, **(Figure 6)**, into the single forward tow hook mounting hole in the other side of the frame channel and Bracket, **(Figure 3)**. Do not fully tighten hardware at this time.
 5. Repeat **Steps 3 & 4** to install the passenger/right Mounting Bracket.
 6. With assistance, hold the Bull Bar up in position on the outside of the Mounting Brackets. Attach the Bull Bar to the Brackets with (4) 10mm x 30mm Hex Bolts, (8) 10mm Flat Washers and (4) 10mm Nylon Lock Nuts, **(Figures 8 & 9)**. Do not tighten hardware at this time.
 7. Check the Bull Bar alignment with the vehicle and for clearance between the Bull Bar and the bumper. Adjust as required then fully tighten all hardware at this time.
 8. Reinstall plastic cover between bottom of bumper cover and frame **(Figure 1)**.
 9. Do periodic inspections to the installation to make sure that all hardware is secure and tight.

To protect your investment, wax this product after installing. Regular waxing is recommended to add a protective layer over the finish. Do not use any type of polish or wax that may contain abrasives that could damage the finish.

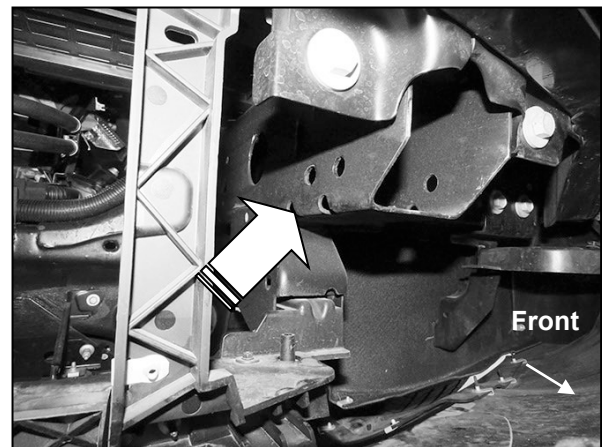
For stainless steel: Aluminum polish may be used to polish small scratches and scuffs on the finish. Mild soap may be used to clean the Bull Bar.

For gloss black finishes: Mild soap may be used to clean the Bull Bar.

Driver/left Side Installation Pictured

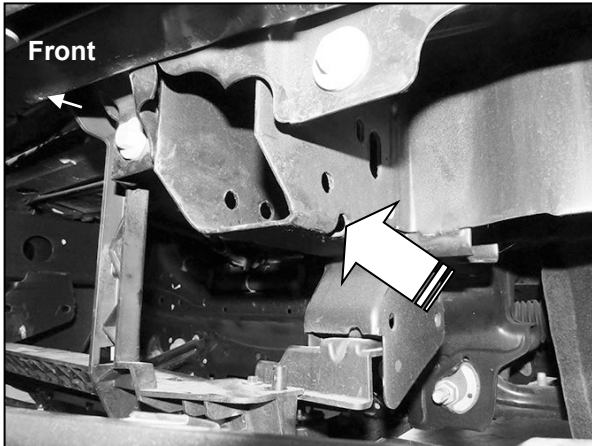


(Fig 1) Remove cover between bottom of bumper cover and frame (arrow)

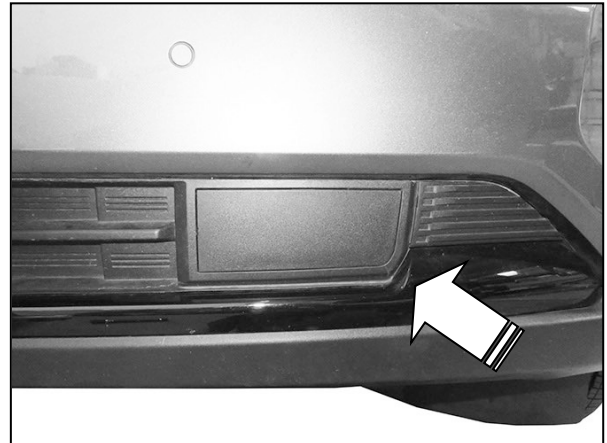


(Fig 2) Driver/left inner mounting location on frame pictured from behind bumper

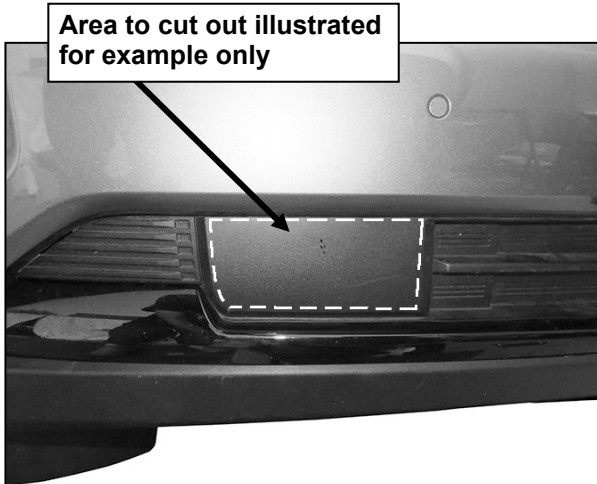
Driver/left Side Installation Pictured



(Fig 3) Driver/left outer mounting location (arrow) pictured from behind bumper

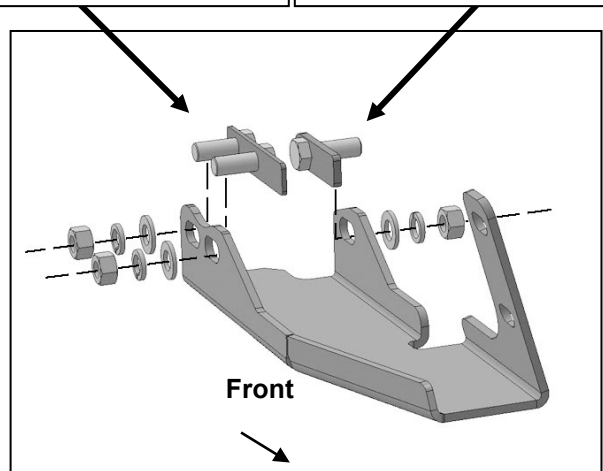


(Fig 4) Example of model without tow hooks. Remove cover if equipped (arrow)



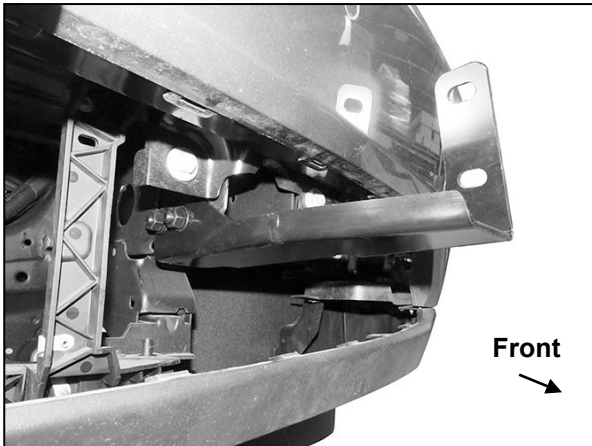
(Fig 5) Models without tow hooks and without removable covers, (see fig 4), cut openings as required in center plastic panel for Brackets. If necessary, temporarily remove center panel to cut openings. Dashed line represents approximate area to cut. Passenger/right side of center panel pictured

- | | |
|----------------------------|----------------------------|
| (1) 12mm Double Bolt Plate | (1) 12mm Single Bolt Plate |
| (2) 12mm Flat Washers | (1) 12mm Flat Washer |
| (2) 12mm Nylon Lock Nuts | (1) 12mm Nylon Lock Nut |



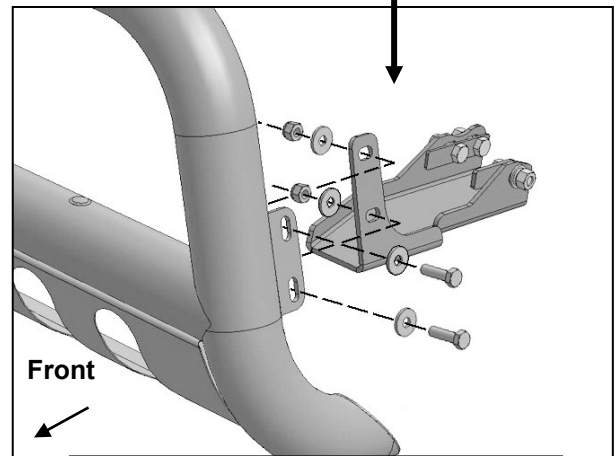
(Fig 6) Attach the driver/left Mounting Bracket to the end of the frame

Driver/left Side Installation Pictured



(Fig 7) Driver/left Bracket installed. NOTE: Center panel in bumper pictured removed for instruction purposes only

- (2) 10mm x 30mm Hex Bolts
- (4) 10mm Flat Washers
- (2) 10mm Nylon Lock Nuts



(Fig 8) Attach Bull Bar to outside of Brackets. Driver/left side illustrated

- (2) 10mm Hex Bolts
- (4) 10mm Flat Washers
- (2) 10mm Nylon Lock Nuts



(Fig 9) Attach Bull Bar to outside of Brackets.

