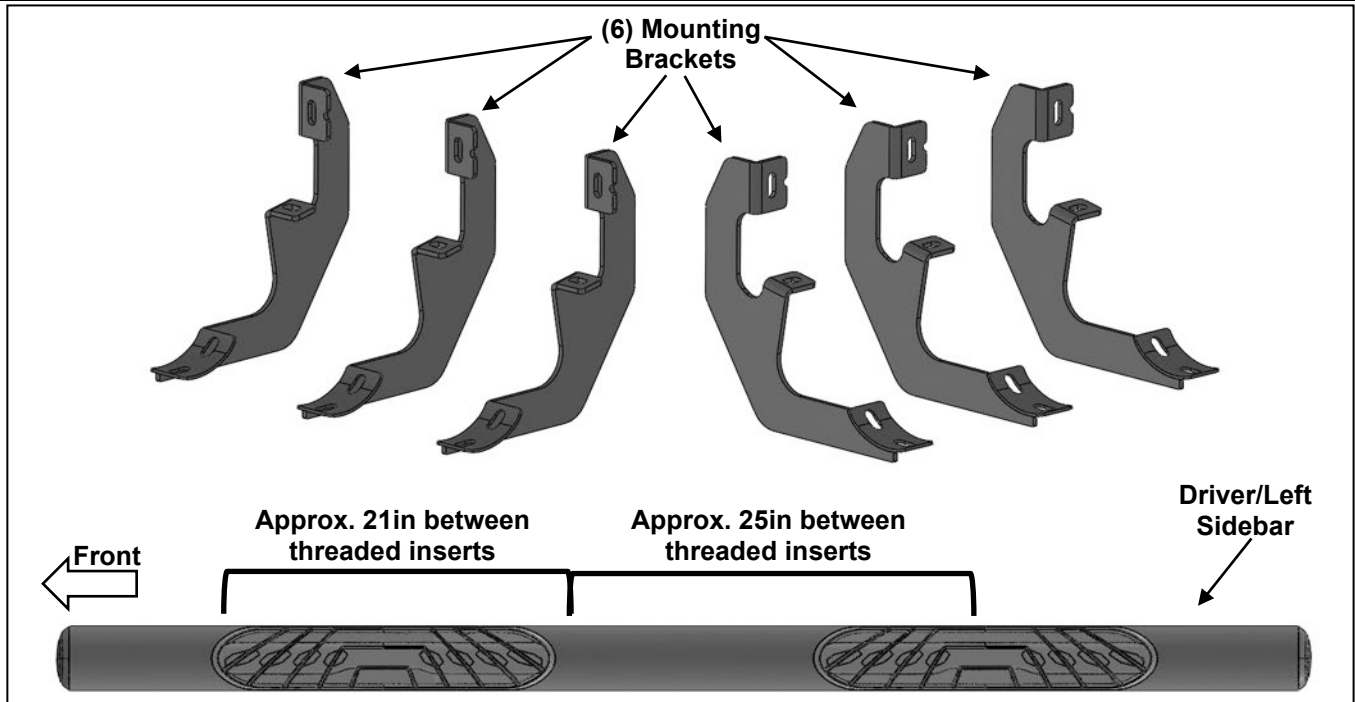


**PARTS LIST:**

1	Driver/Left Sidebar	12	8mm x 25mm Combo Bolts
1	Passenger/Right Sidebar	12	8mm Lock Washers
6	Mounting Brackets	12	8mm x 24mm OD x 2mm Flat Washers
12	8mm x 30mm Hex Bolts		



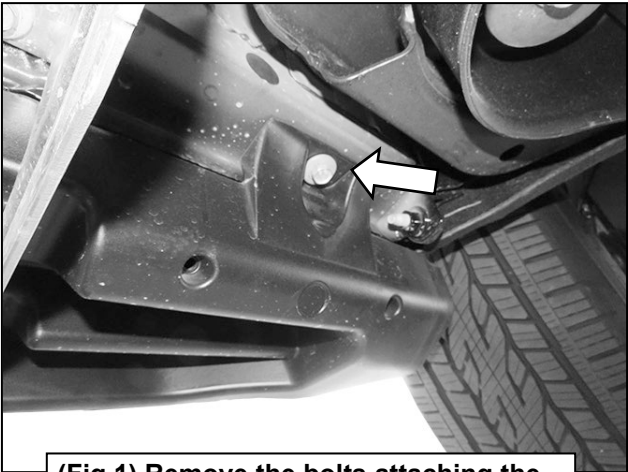
**PROCEDURE:**

**REMOVE CONTENTS FROM BOX. VERIFY ALL PARTS ARE PRESENT. READ INSTRUCTIONS CAREFULLY BEFORE STARTING INSTALLATION. ASSISTANCE IS RECOMMENDED.**

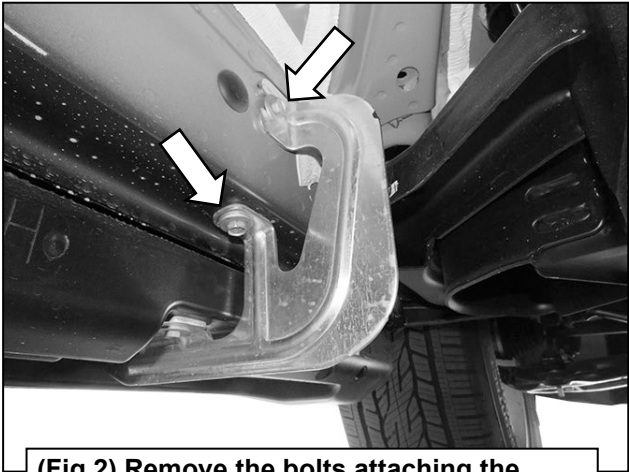
1. Start the installation under the Driver/Left side of the vehicle. Locate and remove all hardware attaching the running board and factory brackets to the rocker panel. **(Figures 1 & 2).**
2. Select (1) Mounting Bracket. Attach the Mounting Bracket to the factory threaded holes with (2) 8mm Hex Bolts, (2) 8mm Lock Washers and (2) 8mm Flat Washers, **(Figure 3).** Do not tighten hardware.
3. Move along the body to the next mounting location. Repeat **Steps 1—3** to attach a Mounting Bracket to the center and rear mounting locations.
4. Select the Driver/Left Sidebar. Place the Sidebar onto the cradles on the Mounting Brackets.  
**IMPORTANT:** Do not rotate or slide front to back or damage to the finish may result. Attach the Sidebar to the Mounting Brackets with (6) 8mm Combo Bolts, **(Figure 4).**
5. Level and adjust the Sidebar and fully tighten all hardware.
6. Repeat **Steps 1—5** to attach the Passenger/Right Sidebar.
7. Do periodic inspections to the installation to make sure that all hardware is secure and tight.

**To protect your investment,** Do not use any type of polish or wax that may contain abrasives that could damage the finish. Mild soap may be used also to clean Sidebars.

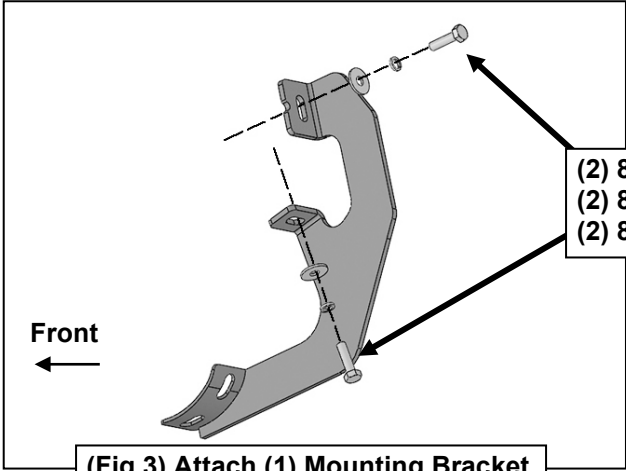
**Driver/Left side Installation Pictured**



**(Fig 1) Remove the bolts attaching the factory running board to the floor panel**

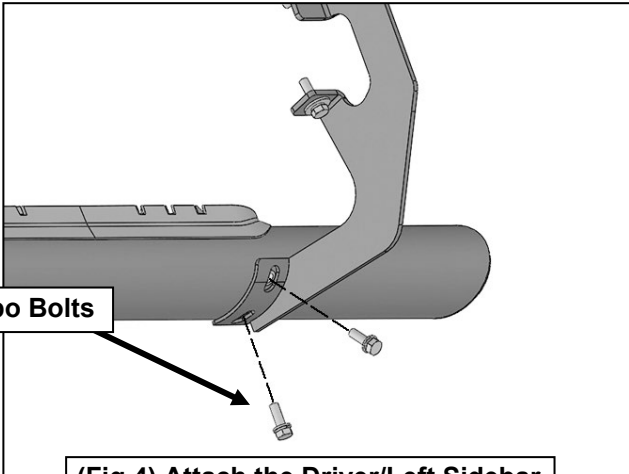


**(Fig 2) Remove the bolts attaching the running board brackets to the rocker panel**



- (2) 8mm Hex Bolts
- (2) 8mm Lock Washers
- (2) 8mm Flat Washers

**(Fig 3) Attach (1) Mounting Bracket to the Driver/Left front location**



- (2) 8mm Combo Bolts

**(Fig 4) Attach the Driver/Left Sidebar to the (3) Mounting Brackets**

