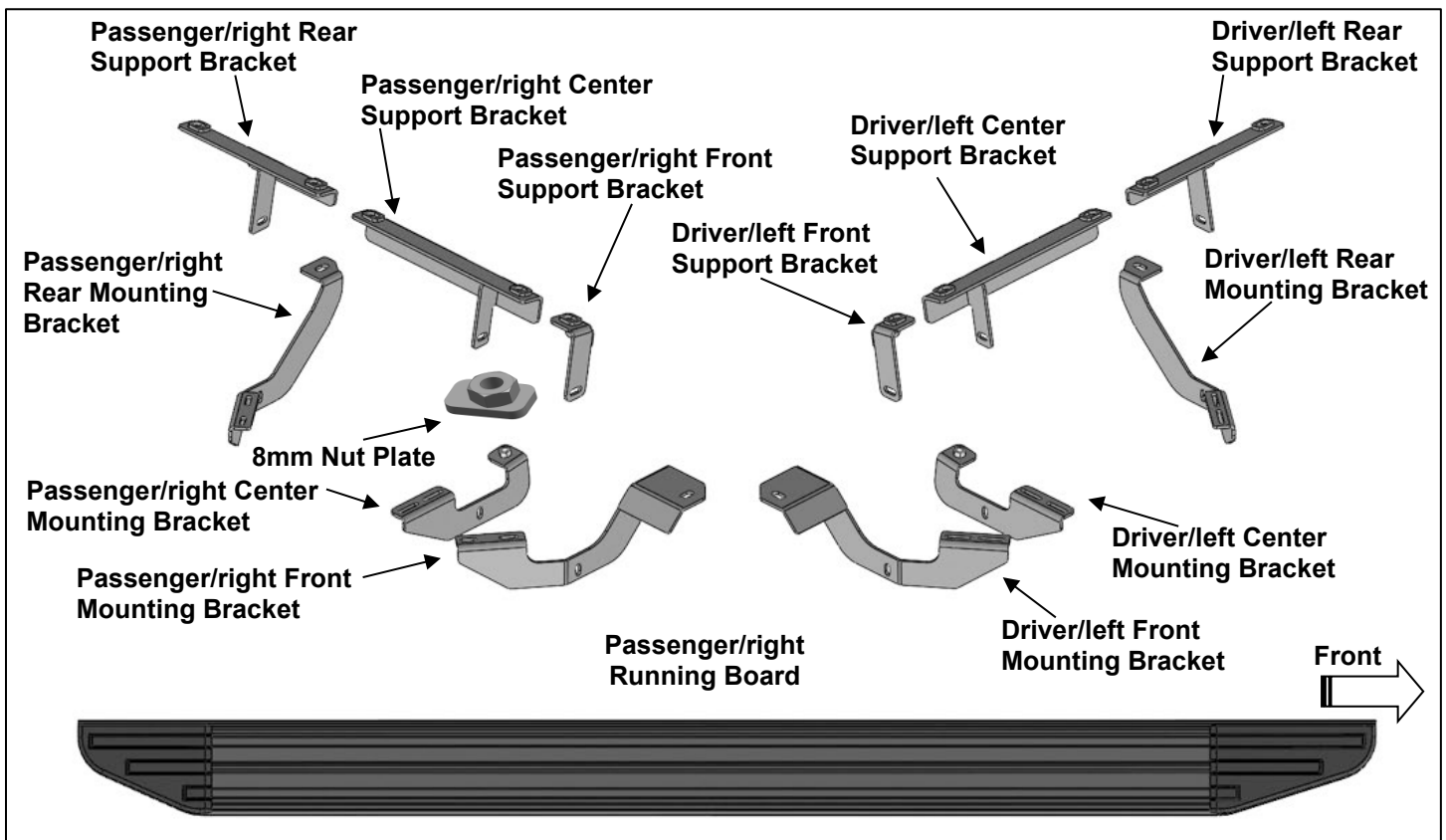


**PARTS LIST:**

1	Driver/Left Running Board	4	10mm Plastic Retainers
1	Passenger/Right Running Board	2	10-1.5mm x 80mm Hex Bolts
1	Driver/Left Front Mounting Bracket	14	10mm x 27mm x 3mm Flat Washers
1	Passenger/Right Front Mounting Bracket	2	10mm x 20mm x 2mm Flat Washers
1	Driver/Left Front Support Bracket	16	10mm Lock Washers
1	Passenger/Right Front Support Bracket	16	10mm Hex Nuts
1	Driver/Left Center Mounting Bracket	2	8mm x 35mm Hex Bolts
1	Passenger/Right Center Mounting Bracket	6	8mm x 25mm Hex Bolts
1	Driver/Left Center Support Bracket	14	8mm x 24mm OD x 2mm Flat Washers
1	Passenger/Right Center Support Bracket	8	8mm Lock Washers
1	Driver/Left Rear Mounting Bracket	6	8mm Hex Nuts
1	Passenger/Right Rear Mounting Bracket	2	8mm Nut Plates
1	Driver/Left Rear Support Bracket	12	6mm x 20mm T-Bolts
1	Passenger/Right Rear Support Bracket	12	6mm x 18mm OD x 1.6mm Flat Washers
2	Center Support Pads	12	6mm Lock Washers
2	10mm x 40mm Long Bolt Plates (front use)	12	6mm Hex Nuts
2	10mm x 40mm Short Bolt Plates (rear use)	2	Fish Wire
10	10mm Spiral Bolts		



**PROCEDURE:**

1. REMOVE CONTENTS FROM BOX. VERIFY ALL PARTS ARE PRESENT. READ INSTRUCTIONS CAREFULLY BEFORE STARTING INSTALLATION. CUTTING IS REQUIRED.
2. Starting from under the passenger/right side of the vehicle, locate the rectangular clips attaching the plastic rocker cover to the bottom of the body. Remove the second clip back from the front wheel opening, (Figures 1 & 2).

3. Locate the front mounting location, **(Figure 1)**. Select (1) 10mm Spiral Bolt. Insert the Spiral Bolt into the side panel, **(Figures 3A & 3B)**.
  - a. With the Spiral Bolt threads pointing away from the vehicle, insert the tail all the way up into the slot. Keep threads pointed outwards, **(Figure 4)**.
  - b. Slide in the bend in the tail up into the slot, keeping the threads pointed outwards, **(Figure 5)**.
  - c. Rotate Spiral Bolt downwards so that the threads are pointed towards the ground, **(Figure 6)**.
  - d. Follow link for 10mm Spiral Bolt installation. <https://youtu.be/BqQis3QjZNc>



**\*Note: This may not be the same vehicle, but the same process applies**

4. Select the passenger/right front Support Bracket. Attach the Support Bracket to the “S” Bolt with (1) 10mm Flat Washer, (1) 10mm Lock Washer and (1) 10mm Hex Nut, **(Figure 7)**. Snug but do not fully tighten hardware.
5. Hold the passenger/right front Mounting Bracket up to the bottom of the body, **(Figure 8)**. Line up the outer hole in the Bracket with the hole in the Support Bracket. Line up the inner end of the Mounting Bracket with the oval hole in the floor. Use a marker or masking tape to trace the outline of the Mounting Bracket onto the plastic cover, **(Figure 9)**.
6. Move to the center mounting location below where the front and rear doors meet, **(Figure 10)**. Remove the (2) rectangular plastic clips.

**For Non-Hybrid Models:** Insert (2) Spiral Bolts into the holes. Attach the passenger/right Center Support Bracket to the Spiral Bolts with (2) 10mm Flat Washers, (2) 10mm Lock Washers and (2) 10mm Hex Nuts, **(Figure 11A)**. Snug but do not fully tighten hardware.

**For Hybrid Models:** Carefully pull down on the plastic rocker panel cover to expose the holes in the rocker panel. Insert the (2) 8mm nut plates into the round hole and position it above the small oval hole in the rocker panel **(Figure 11B & 11C)**. Reinstall the plastic rocker panel cover. A small pick/pry tool may be used to position the nut plate **(Figure 11D)**. Position the passenger side center support bracket over the mount points in the rocker panel. Carefully thread (2) 8mm x 35mm hex bolts, (2) 8mm x 24mm x 2mm flat washers, and (2) 8mm lock washers through the mounting slots of the support bracket and into the nut plates **(Figure 11E)**. Snug hardware but do not tighten at this time.

7. Select (1) Center Support Pad.
  - a. Thread (1) 10mm Hex Nut to (1) 10mm x 80mm Hex Bolt.
  - b. Slide (1) 10mm Lock Washer and (1) 10mm Flat washer onto the 10mm Hex Bolt.
  - c. Thread the 10mm Hex Bolt assembly into the welded nut on the back of the Mounting Bracket. Place the Center Support Pad onto the end of the 10mm Hex Bolt, **(Figures 12A & 12B)**.
  - d. Tighten Hex Bolt to place the Center Support Pad onto the floor panel. Do not tighten Hex Bolt all the way. **NOTE:** Use the 10mm Hex Nut to adjust the level of the Mounting Bracket.
  - e. Follow link for Compression Plate installation. <https://youtu.be/R51s7Vk1Sy4>



**\*Note: This may not be the same vehicle, but the same process applies**

8. Use a marker or masking tape to trace the outline of the Support Pad onto the plastic cover, **(Figure 13)**.
9. Continue along the passenger/right side to the last two clips, **(Figure 14)**. Insert (2) “S” Bolts into the holes. Attach the passenger/right Rear Support Bracket to the “S” Bolts with (2) 10mm Flat Washers, (2) 10mm Lock Washers and (2) 10mm Hex Nuts, **(Figure 15)**.
10. Hold the passenger/right rear Mounting Bracket up to the bottom of the body. Line up the outer hole in the Bracket with the hole in the Support Bracket. Line up the inner end of the Mounting Bracket with the hole in the floor. Use a marker or masking tape to trace the outline of the Mounting Bracket onto the plastic cover.
11. Remove the plastic cover from the bottom of the body. Use a hacksaw blade or sharp knife to cut out the marked areas. Once cut, partially reinstall the cover. Leave the front and rear of the cover loose.

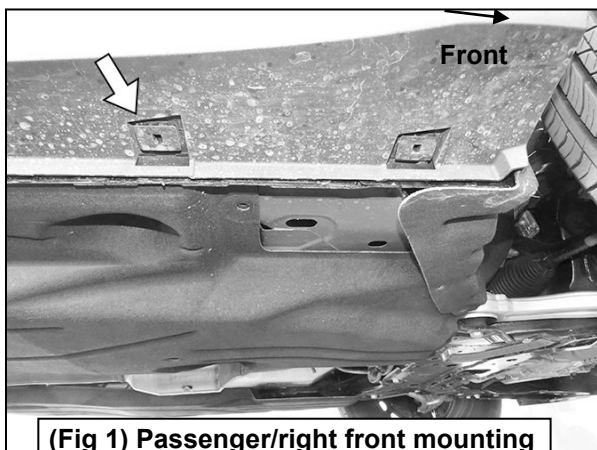
12. Move to the front mounting location. Select the 10mm “Long” Bolt Plate, **(Figure 16)**. Insert the Bolt Plate into the oval hole in the floor, **(Figure 17)**. Thread (1) 10mm Plastic Retainer onto the Bolt Plate to help hold in place. Use is not mandatory for installation. Attach the passenger/right front Mounting Bracket to the Bolt Plate with (1) 10mm Flat Washer, (1) 10mm Lock Washer and (1) 10mm Hex Nut, **(Figure 18)**. Attach the Mounting Bracket to the front facing side of the Support Bracket with the included (1) 8mm x 25mm Hex Bolt, (2) 8mm Flat Washers, (1) 8mm Lock Washer and (1) 8mm Hex Nut, **(Figure 18)**. Do not fully tighten hardware.
13. Move to the center mounting location. Attach the Center Mounting Bracket to the rear facing side of the Center Support Bracket with the included (1) 8mm x 25mm Hex Bolt, (2) 8mm Flat Washers, (1) 8mm Lock Washer and (1) 8mm Hex Nut, **(Figure 19)**. Tighten or loosen the long 10mm Hex Bolt with Center Support Pad until the Mounting Bracket is close to level and in line with the front and rear Brackets, **(Figure 12A)**. Leave hardware loose.
14. Continue to the rear mounting location. Thread (1) 10mm Fish Wire onto (1) 10mm “Short” Bolt Plate, **(Figure 20)**. Insert Fish Wire and 10mm “Short” Bolt Plate into the square hole and down through the round hole in the floor, **(Figures 21 & 22)**. Thread (1) 10mm Plastic Retainer onto the Bolt Plate to help hold in place. Use is not mandatory for installation. Attach the passenger/right Rear Mounting Bracket to the Bolt Plate with (1) 10mm Flat Washer, (1) 10mm Lock Washer and (1) 10mm Hex Nut, **(Figure 23)**. Attach the Mounting Bracket to the rear facing side of the Support Bracket with the included (1) 8mm x 25mm Hex Bolt, (2) 8mm Flat Washers, (1) 8mm Lock Washer and (1) 8mm Hex Nut, **(Figure 23)**. Do not fully tighten hardware.
15. Select the Passenger/Right Viewpoint Running Board. Insert (6) T-Bolts into the channels in the bottom of the running board, (3) per channel, **(Figure 24)**. Attach the Running Board to the Mounting Brackets with (6) 6mm Flat Washers, (6) 6mm Lock Washers and (6) 6mm Hex Nuts, **(Figure 25)**. Do not tighten hardware.
16. Move to the center Mounting Bracket. Thread the 10mm Hex Bolt in or out to adjust the Bracket up to the Side Bar. Once properly adjusted, turn the Hex Bolt in (clockwise) 1/4-1/2 of a turn then tighten the 10mm Hex Nut on the Bolt against the Bracket to lock in place and tighten all hardware, **(Figure 12A)**.
17. Fully reattach plastic cover to floor.
18. Repeat **Steps 2—17** for driver/left running board installation. **Notice, the Hybrid Models Driver/Left side center support bracket mounting method same as Non-Hybrid Models Passenger/right side center support bracket.**
19. Do periodic inspections to the installation to make sure that all hardware is secure and tight.

**To protect your investment**, wax this product after installing. Regular waxing is recommended to add a protective layer over the finish. Do not use any type of polish or wax that may contain abrasives that could damage the finish.

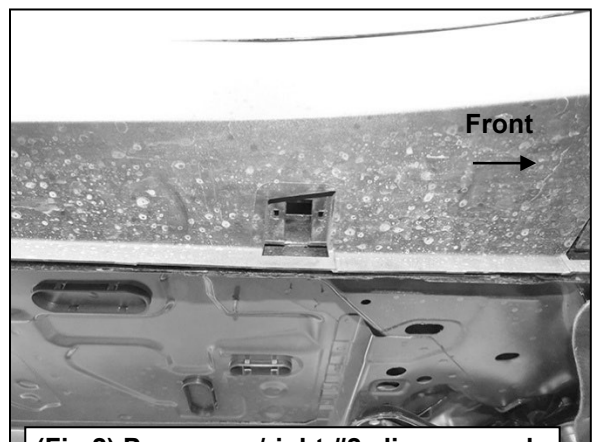
**For stainless steel:** Aluminum polish may be used to polish small scratches and scuffs on the finish. Mild soap may be used also to clean the Sidebars.

**For gloss black finishes:** Mild soap may be used to clean the Sidebars.

### Passenger/right Side Installation Pictured

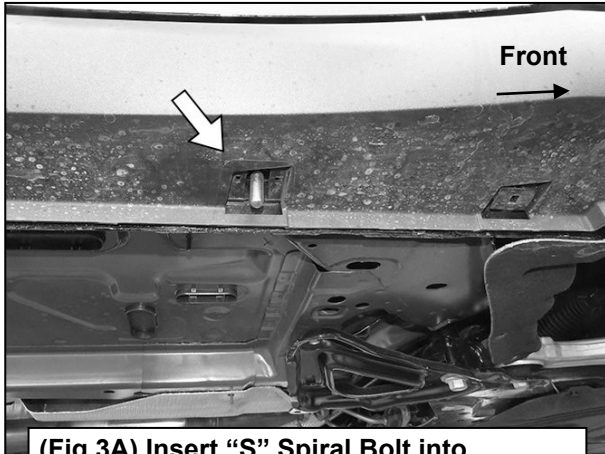


**(Fig 1) Passenger/right front mounting location, remove clip (arrow)**



**(Fig 2) Passenger/right #2 clip removed**

### Passenger/right Side Installation Pictured



(Fig 3A) Insert “S” Spiral Bolt into opening after removing clip (arrow)

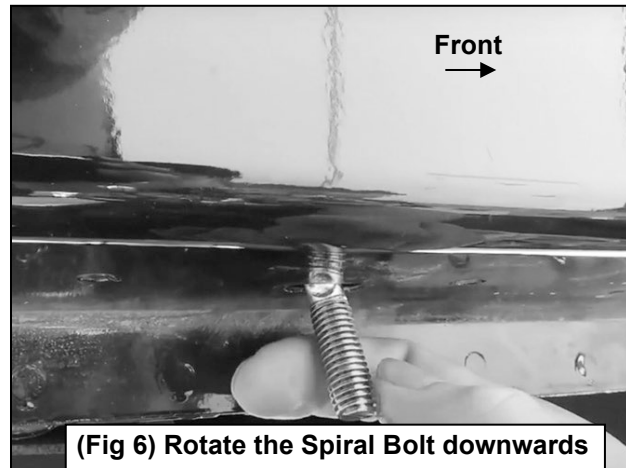
(Fig 3B) Follow link for 10mm Spiral Bolt installation.  
<https://youtu.be/BqQis3QjZNc>



(Fig 4) Insert the tail on the Spiral Bolt into the slot, keeping the threads pointed outwards

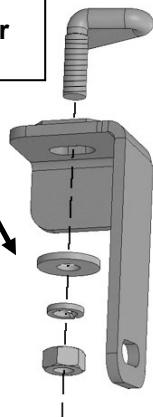


(Fig 5) Insert the bend on the tail into the slot, keeping the threads pointed outwards

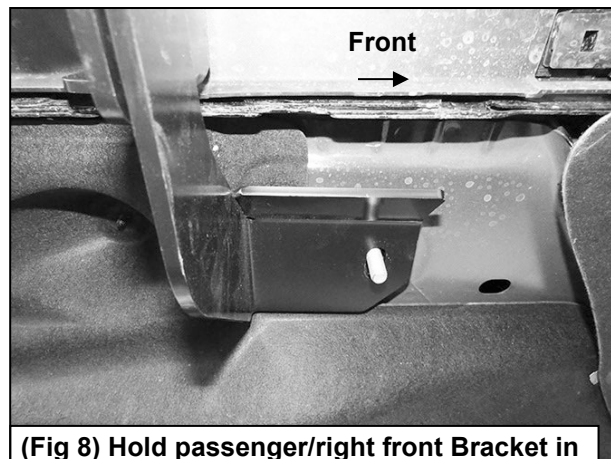


(Fig 6) Rotate the Spiral Bolt downwards

10mm Flat Washer  
10mm Lock Washer  
10mm Hex Nut

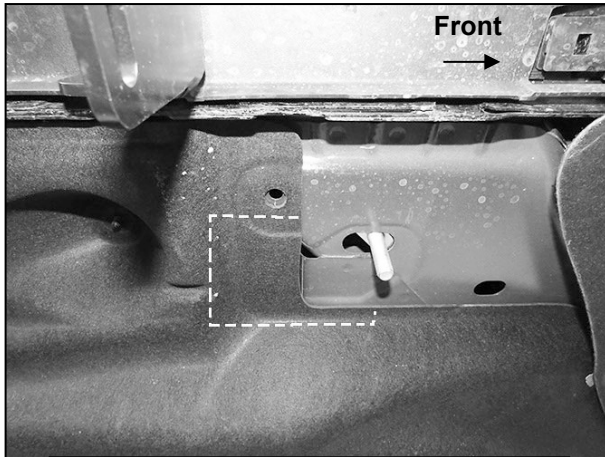


(Fig 7) Attach passenger/right front Support Bracket to Spiral Bolt

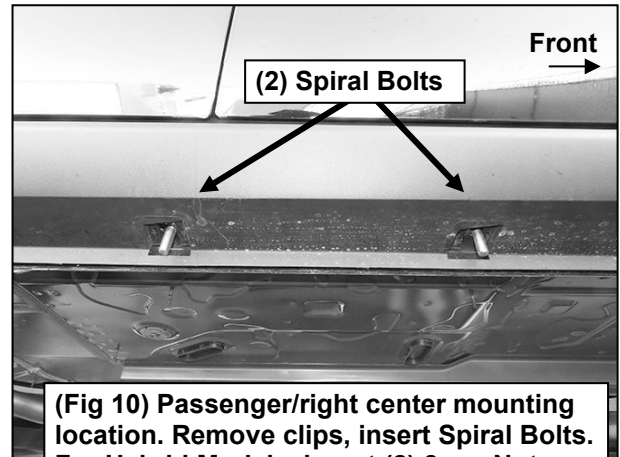


(Fig 8) Hold passenger/right front Bracket in place. Trace outline of Bracket onto cover

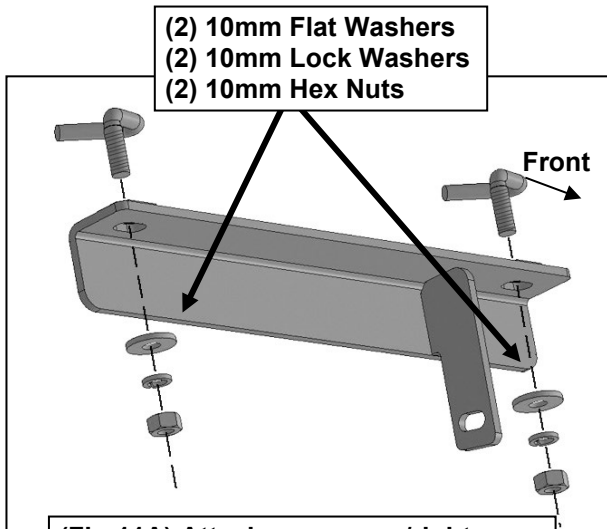
### Passenger/right Side Installation Pictured



(Fig 9) Trace outline of passenger/right front Bracket onto cover

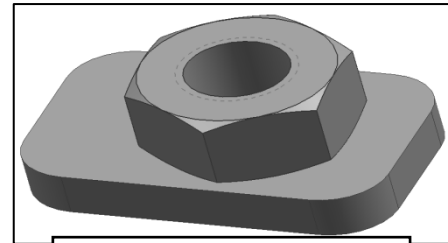


(Fig 10) Passenger/right center mounting location. Remove clips, insert Spiral Bolts. For Hybrid Models, insert (2) 8mm Nut Plates instead of the Spiral Bolts

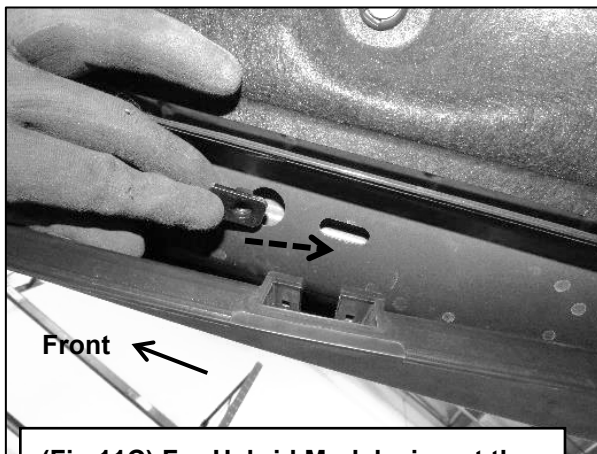


- (2) 10mm Flat Washers
- (2) 10mm Lock Washers
- (2) 10mm Hex Nuts

(Fig 11A) Attach passenger/right center Support Bracket to Spiral Bolts



(Fig 11B) 8mm nut plate



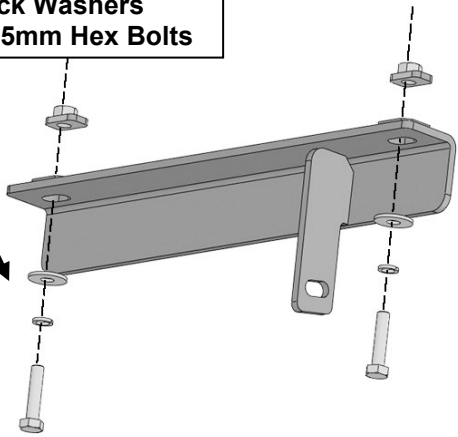
(Fig 11C) For Hybrid Models, insert the (2) 8mm nut plate into the round hole under the plastic cover and position above the small oval hole.



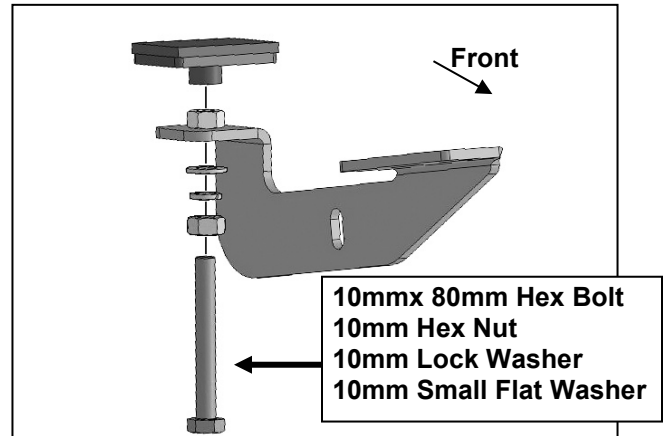
(Fig 11D) For Hybrid Models, reinstall the plastic rocker panel cover.

### Passenger/right Side Installation Pictured

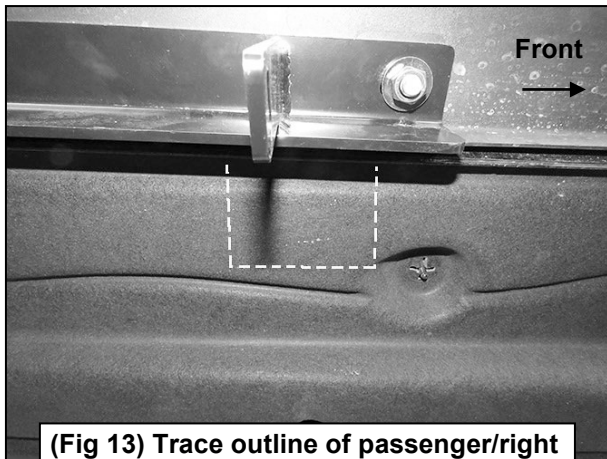
- (2) 8mm Flat Washers
- (2) 8mm Lock Washers
- (2) 8mm x 35mm Hex Bolts



(Fig 11E) For Hybrid Models, attach passenger/right center Support Bracket the Nut Plates



(Fig 12A) Assemble passenger/right Center Mounting Bracket with Support Pad

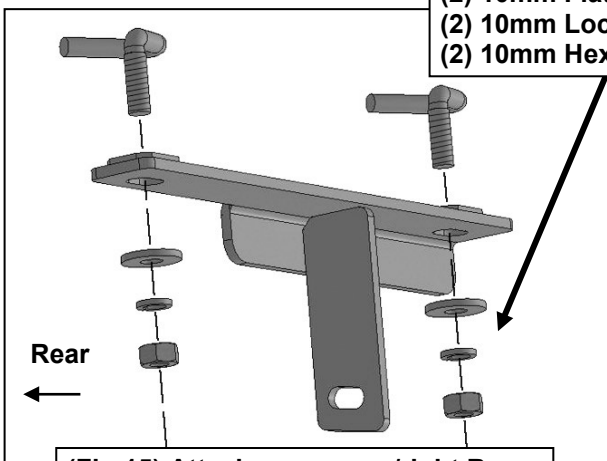


(Fig 13) Trace outline of passenger/right center Bracket Support Pad onto cover

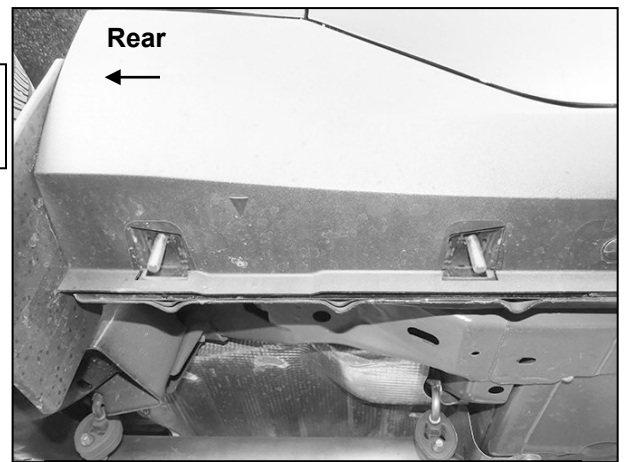


(Fig 12B) Follow link for Compression Plate installation.  
<https://youtu.be/R51s7Vk1Sy4>

- (2) 10mm Flat Washers
- (2) 10mm Lock Washers
- (2) 10mm Hex Nuts

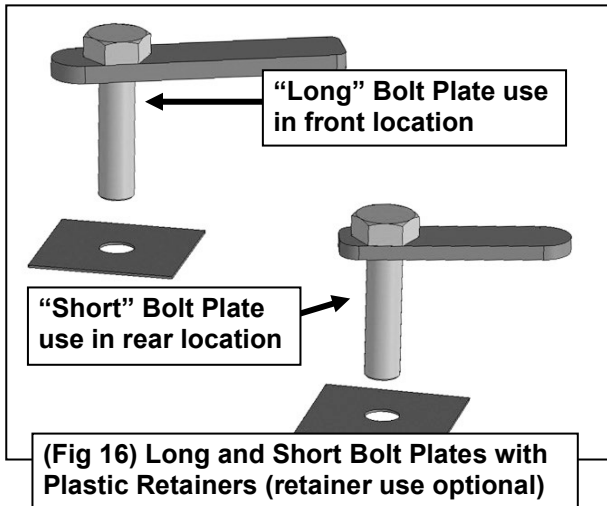


(Fig 15) Attach passenger/right Rear Support Bracket to "S" Bolts



(Fig 14) Passenger/right rear mounting location. Remove clips, insert "S" Bolts

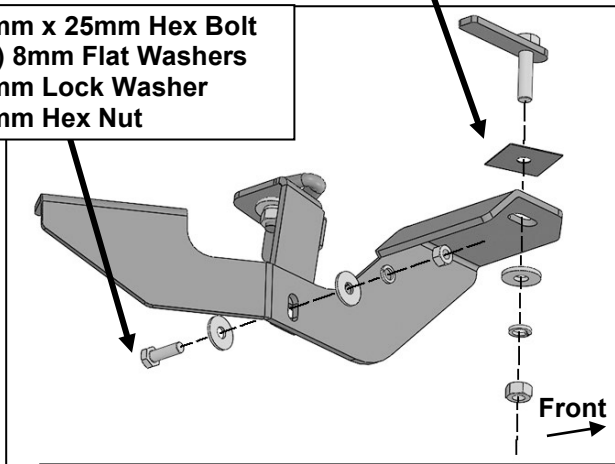
### Passenger/right Side Installation Pictured



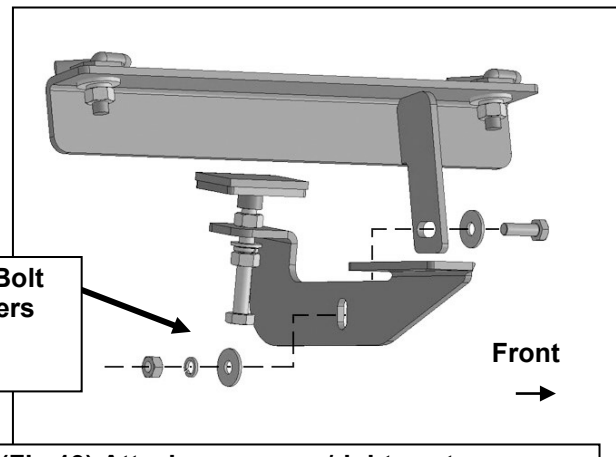
10mm Long Bolt Plate  
10mm Plastic Retainer  
10mm Flat Washer  
10mm Lock Washer  
10mm Hex Nut



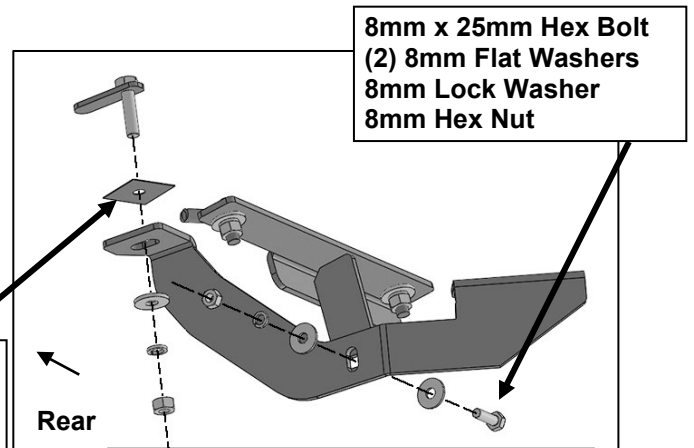
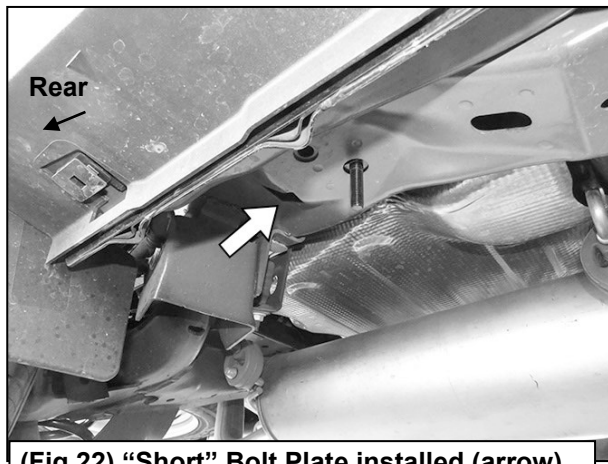
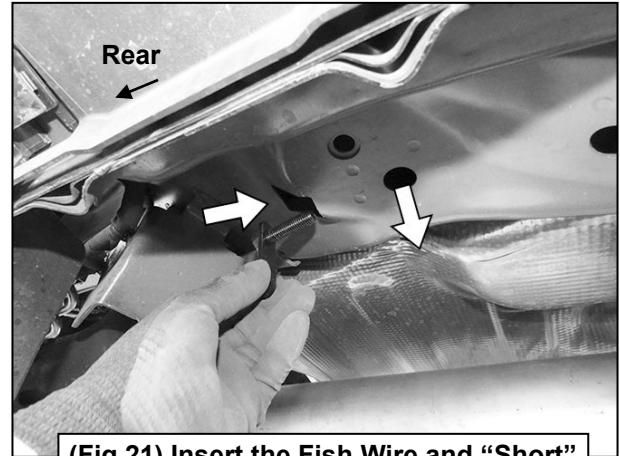
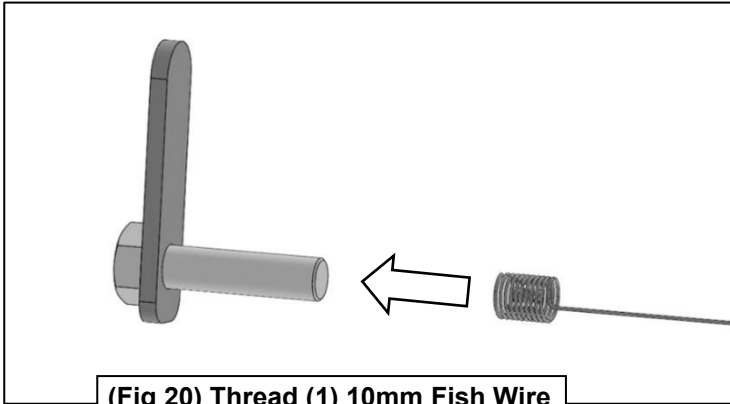
8mm x 25mm Hex Bolt  
(2) 8mm Flat Washers  
8mm Lock Washer  
8mm Hex Nut



8mm x 25mm Hex Bolt  
(2) 8mm Flat Washers  
8mm Lock Washer  
8mm Hex Nut



### Passenger/right Side Installation Pictured



- 10mm Short Bolt Plate
- 10mm Plastic Retainer
- 10mm Flat Washer
- 10mm Lock Washer
- 10mm Hex Nut

