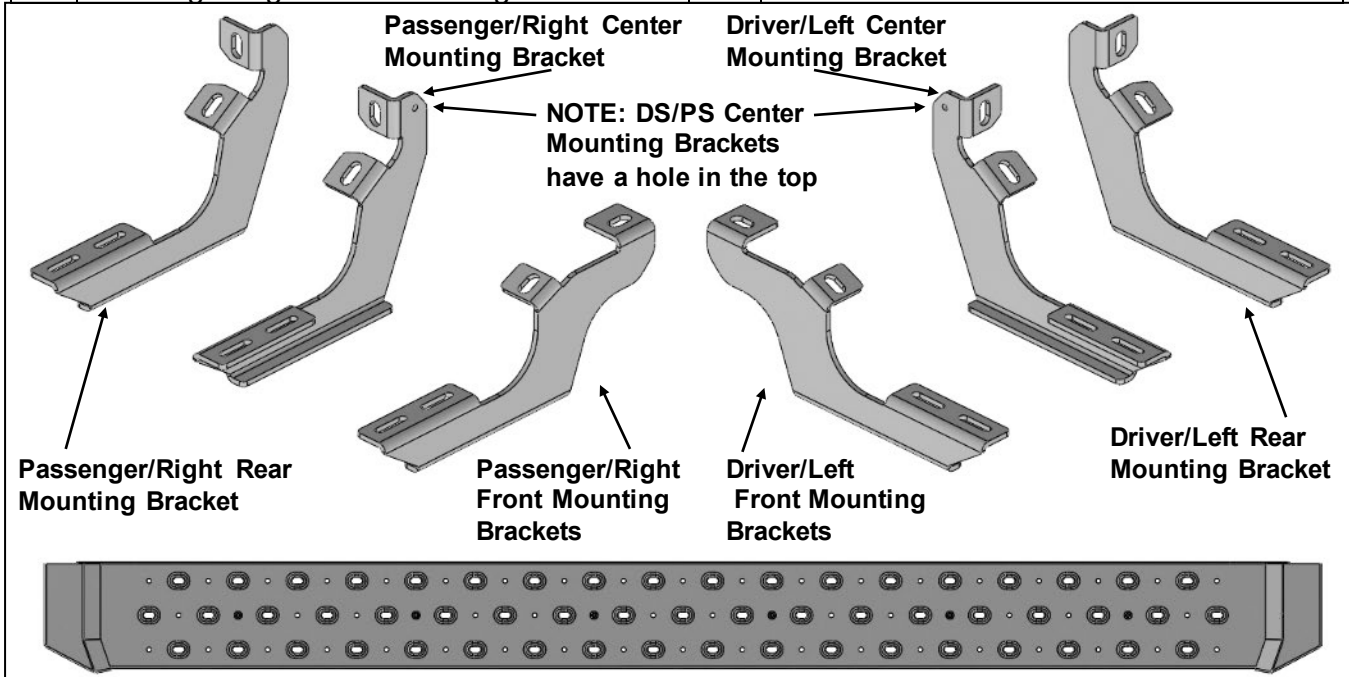


PARTS LIST: FR1000

2	78inch Rattler Running Boards	12	10-1.5mm x 25mm Hex Bolts
1	Driver/Left Front Mounting Bracket	12	10mm Lock Washers
1	Passenger/Right Front Mounting Bracket	12	10mm x 27mm x 3mm Flat Washers
1	Driver/Left Center Mounting Bracket	6	8mm x 1.0mm x 30mm Double Bolt Plates
1	Passenger/Right Center Mounting Bracket	12	8mm x 24mm x 2mm Flat Washers
1	Driver/Left Rear Mounting Brackets	12	8mm Lock Washers
1	Passenger/Right Rear Mounting Bracket	12	8mm Hex Nuts



PROCEDURE:

REMOVE CONTENTS FROM BOX. VERIFY ALL PARTS ARE PRESENT. READ INSTRUCTIONS CAREFULLY BEFORE STARTING INSTALLATION. ASSISTANCE IS RECOMMENDED.

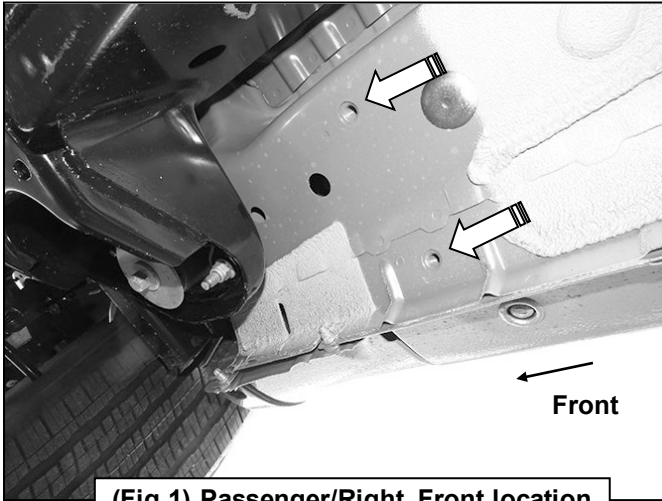
1. Start the installation under the Passenger/Right side of the vehicle. Locate the front factory mounting location along the inner side of the body, **(Figure 1)**.
2. Remove the plastic plugs covering the mounting holes. Select Passenger/Right Front Mounting Bracket. Attach to Passenger/Right front location with (2) 10mm x 25mm Hex Bolts, (2) 10mm Lock Washers and (2) 10mm Flat Washers **(Figures 2 & 3)**. Do not tighten hardware.
3. Locate the Center threaded mounting holes. Select the Passenger/Right Center/Rear Mounting Bracket, look for the hole at the top of the bracket. Attach with (2) 10mm x 25mm Hex Bolts, (2) 10mm Lock Washers and (2) 10mm Flat Washers, **(Figures 4 & 5)**. Do not tighten hardware at this time.
4. Repeat **Step 3** to install Passenger/Right Rear Mounting Brackets, **(Figures 6 & 7)**.
5. Carefully unwrap and select the (1) Rattler Running Board.
6. Place the Running Board on top of the Brackets. Locate the channel in the bottom of the Running Board. Select (3) 8mm Double Bolt Plates. Insert the Bolt Plates into the channel in the bottom of the Running Board closest to the Brackets, **(Figure 8)**. Lift the Running Board up and guide the studs down through the Brackets.
7. Attach the Running Board to the Brackets with (6) 8mm Flat Washers, (6) 8mm Lock Washers and (6) 8mm Hex Nuts, **(Figures 9 & 10)**. Do not tighten hardware at this time.
8. Level and adjust the Running Board as necessary and fully tighten all hardware. **WARNING: DO NOT USE ELECTRIC TOOLS OR OVERTIGHTEN THE 8mm HARDWARE. EXCESSIVE TIGHTENING OF 8mm HARDWARE WILL RESULT IN THE BOLT PLATE BREAKING.**

9. Repeat **Steps 1—8** for the Driver/Left side Running Board installation.

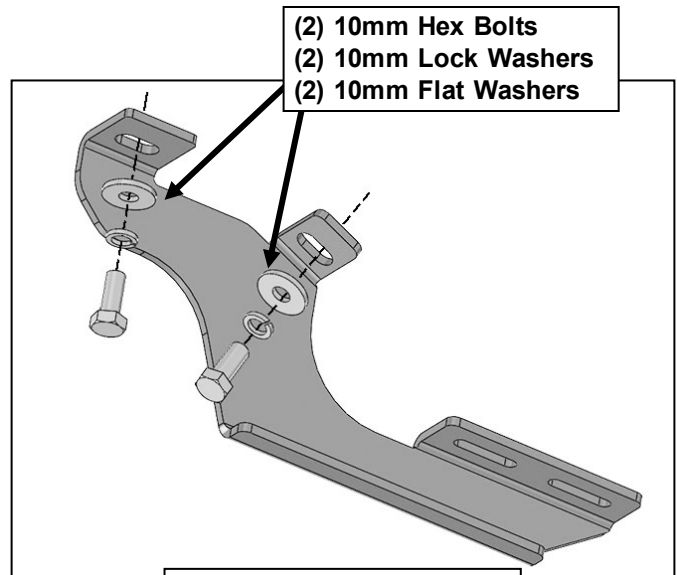
10. Do periodic inspections to the installation to make sure that all hardware is secure and tight.

To protect your investment, Do not use any type of polish or wax that may contain abrasives that could damage the finish. Mild soap may be used also to clean the Running Board.

Passenger/Right Side Installation Pictured



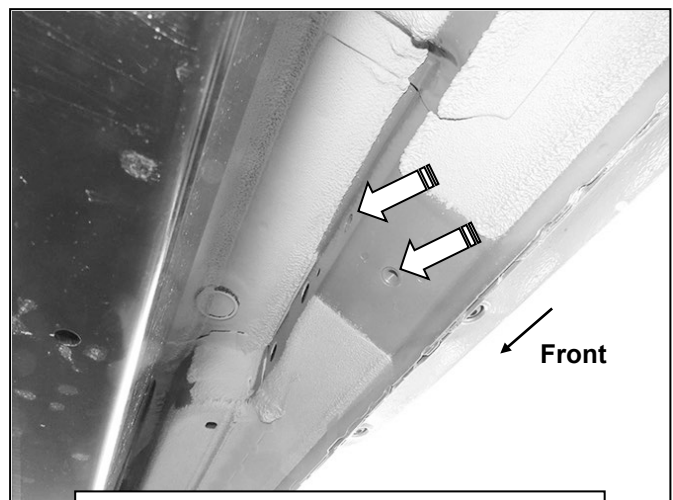
(Fig 1) Passenger/Right Front location



(Fig 2) Passenger/Right Front Bracket installation

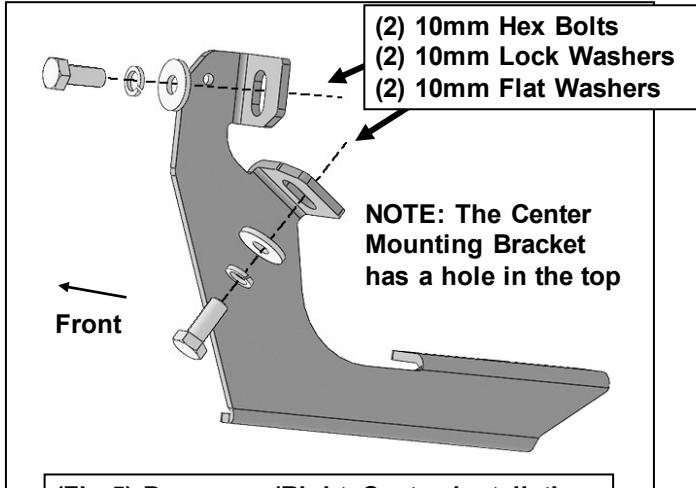


(Fig 3) Passenger/Right Front Bracket installed

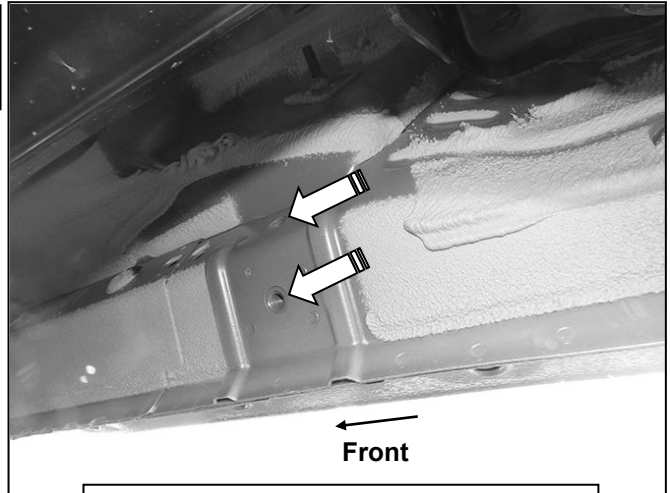


(Fig 4) Passenger/Right Center location

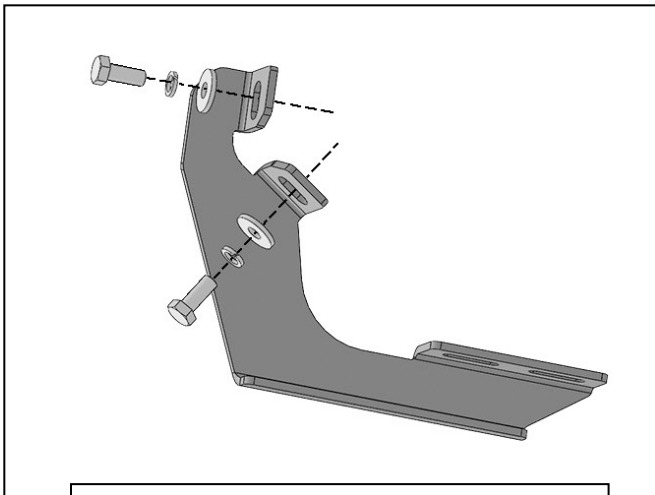
Passenger/Right Side Installation Pictured



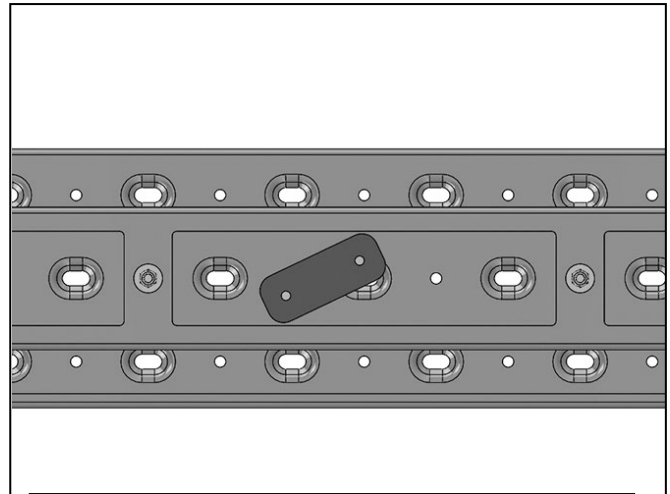
(Fig 5) Passenger/Right Center installation



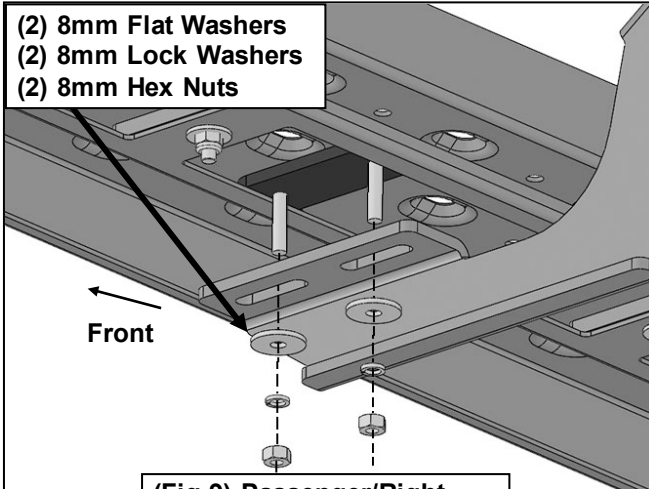
(Fig 6) Passenger/Right Rear location



(Fig 7) Passenger/Right Rear installation



(Fig 8) Passenger/Right Bolt Plate installation



(Fig 9) Passenger/Right Running Board installation

WARNING: OVER TIGHTENING HARDWARE MAY RESULT IN DAMAGING BOLT PLATE.
TORQUE VALUE: 14-16N.m (10-12ft-lbs)

NOTE: DO NOT OVER TIGHTEN HARDWARE ON BOLT PLATE.



(Fig 10) Passenger/Right Front Running Board installed