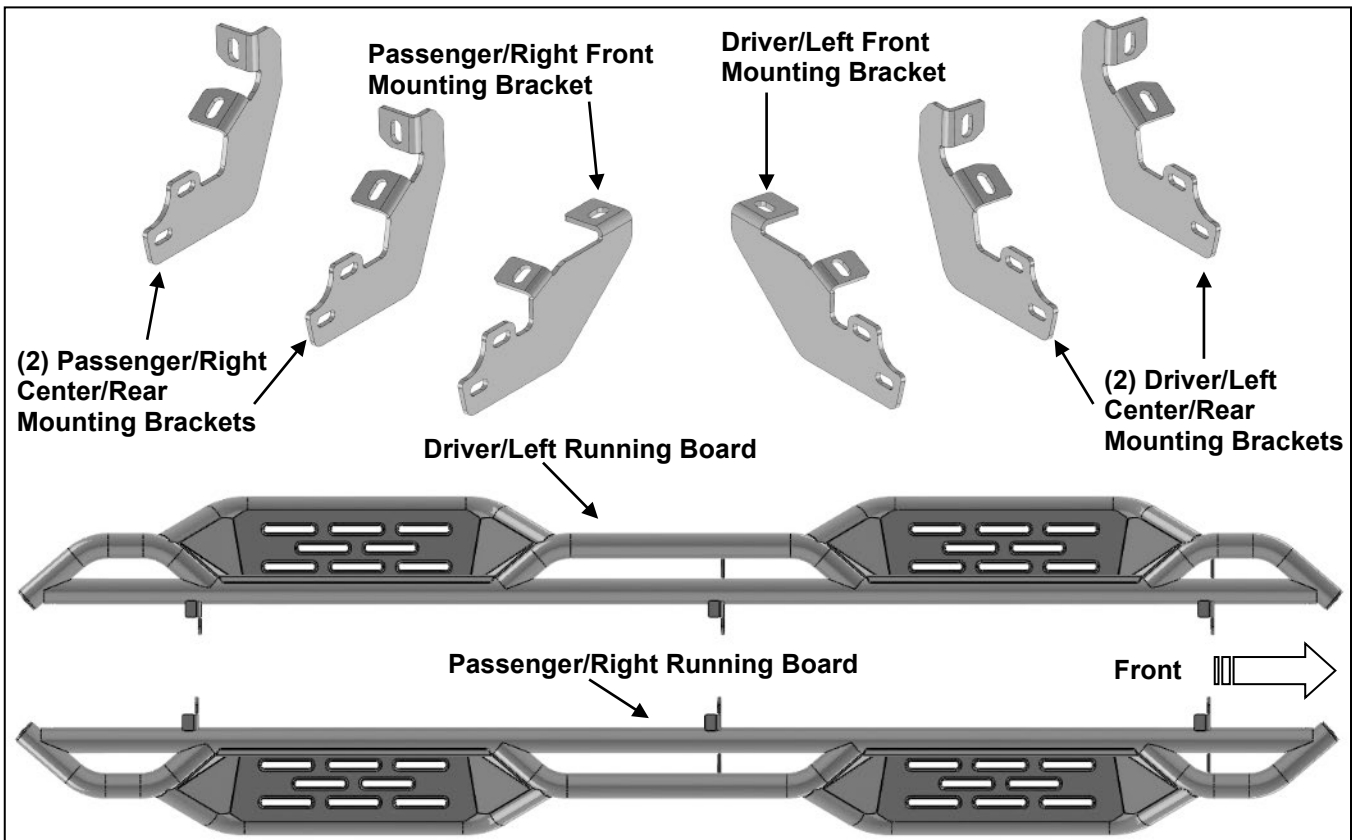




PARTS LIST: FR1016

1	Driver/Left Running Board	12	10-1.5mm x 35mm Hex Bolts
1	Passenger/Right Running Board	12	10-1.5mm x 25mm Hex Bolts
1	Driver/Left Front Bracket	12	10mm Lock Washers
1	Passenger/Right Front Bracket	36	10mm x 27mm x 3mm Flat Washers
2	Driver/Left Center/Rear Mounting Brackets	12	10mm Nylon Lock Nuts
2	Passenger/Right Center/Rear Mounting Brackets		



PROCEDURE:

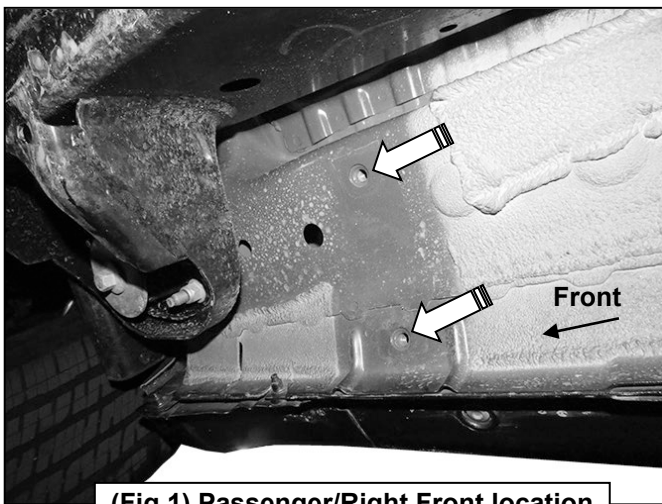
REMOVE CONTENTS FROM BOX. VERIFY ALL PARTS ARE PRESENT. READ INSTRUCTIONS CAREFULLY BEFORE STARTING INSTALLATION. ASSISTANCE IS RECOMMENDED.

1. Start the installation under the Passenger/Right side of the vehicle. Locate the front factory mounting location along the inner side of the body, **(Figure 1)**.
2. Remove the plastic plugs covering the mounting holes. Select Passenger/Right Front Mounting Bracket, **(Figure 2)**. Attach to Passenger/Right front location with (2) 10mm x 25mm Hex Bolts, (2) 10mm Lock Washers and (2) 10mm Flat Washers **(Figures 2 & 3)**. Do not tighten hardware at this time.
3. Locate the Center threaded mounting holes. Select (1) Center/Rear Mounting Bracket. Attach with (2) 10mm x 25mm Hex Bolts, (2) 10mm Lock Washers and (2) 10mm Flat Washers, **(Figures 4 & 5)**. Do not tighten hardware at this time.
4. Repeat **Step 3** to install Passenger/Right Rear Mounting Brackets, **(Figure 6)**.

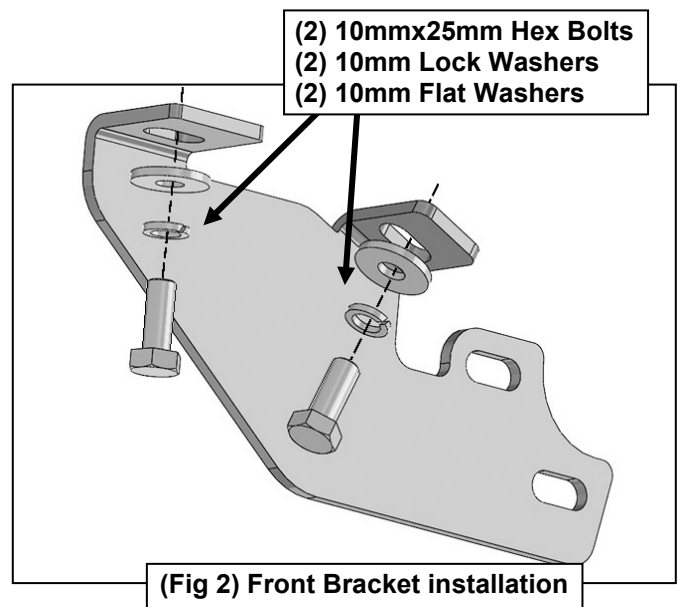
5. Carefully unwrap and select the Passenger/Right Running Board. **IMPORTANT:** The front and center mounting tabs on the Running board are slightly closer to the front end of the Running Board.
6. With assistance, line up the Running Board with the front of the Mounting Brackets. Attach the tabs on the Running Board to the Mounting Brackets with (6) 10mm x 35mm Hex Bolts, (12) 10mm Flat Washers and (6) 10mm Nylon Lock Nuts, (**Figures 7—10**). Do not tighten hardware at this time.
7. Level and adjust the Running Board as necessary and fully tighten all hardware.
8. Repeat **Steps 1—7** for the Driver/Left side Running Board installation.
9. Do periodic inspections to the installation to make sure that all hardware is secure and tight.

To protect your investment, Do not use any type of polish or wax that may contain abrasives that could damage the finish. Mild soap may be used also to clean the Running Board.

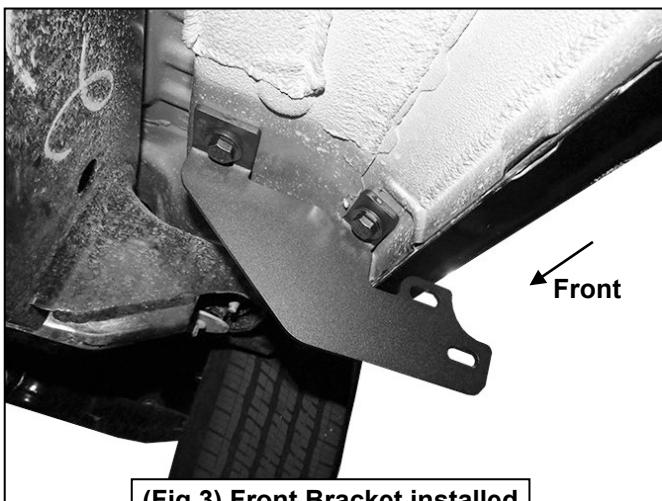
Passenger/Right Side Installation Pictured



(Fig 1) Passenger/Right Front location

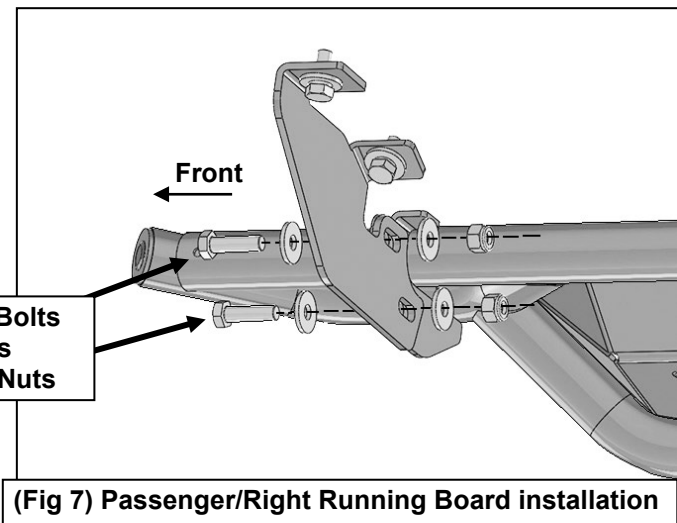
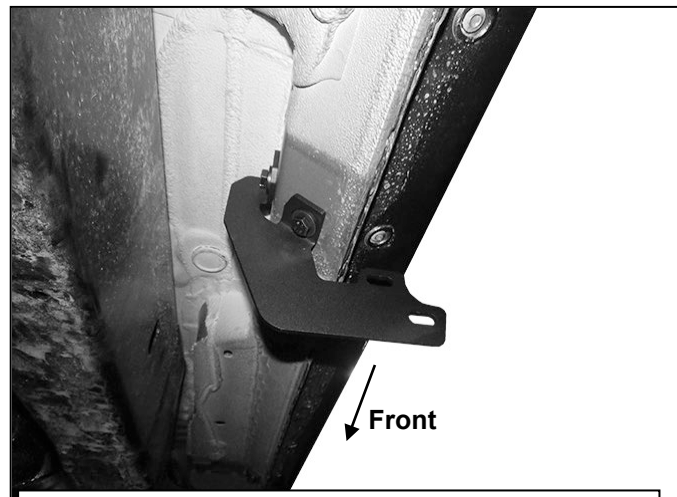
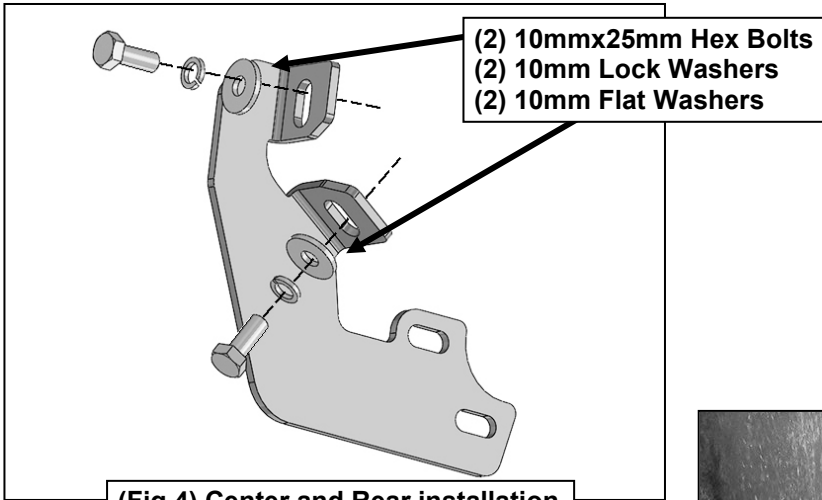


(Fig 2) Front Bracket installation

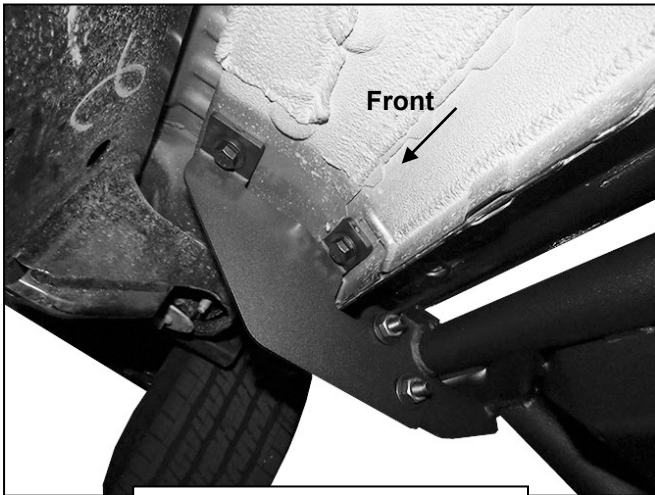


(Fig 3) Front Bracket installed

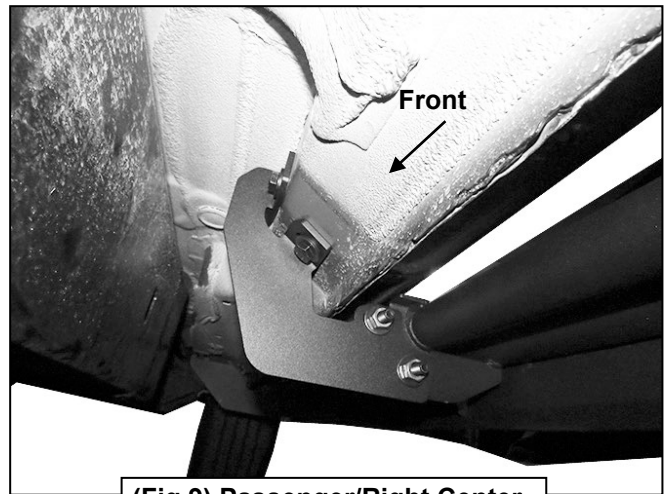
Passenger/Right Side Installation Pictured



Passenger/Right Side Installation Pictured



(Fig 8) Passenger/Right Front Running Board installed



(Fig 9) Passenger/Right Center Running Board installed



(Fig 10) Passenger/Right Rear Running Board installed