

BARRICADE

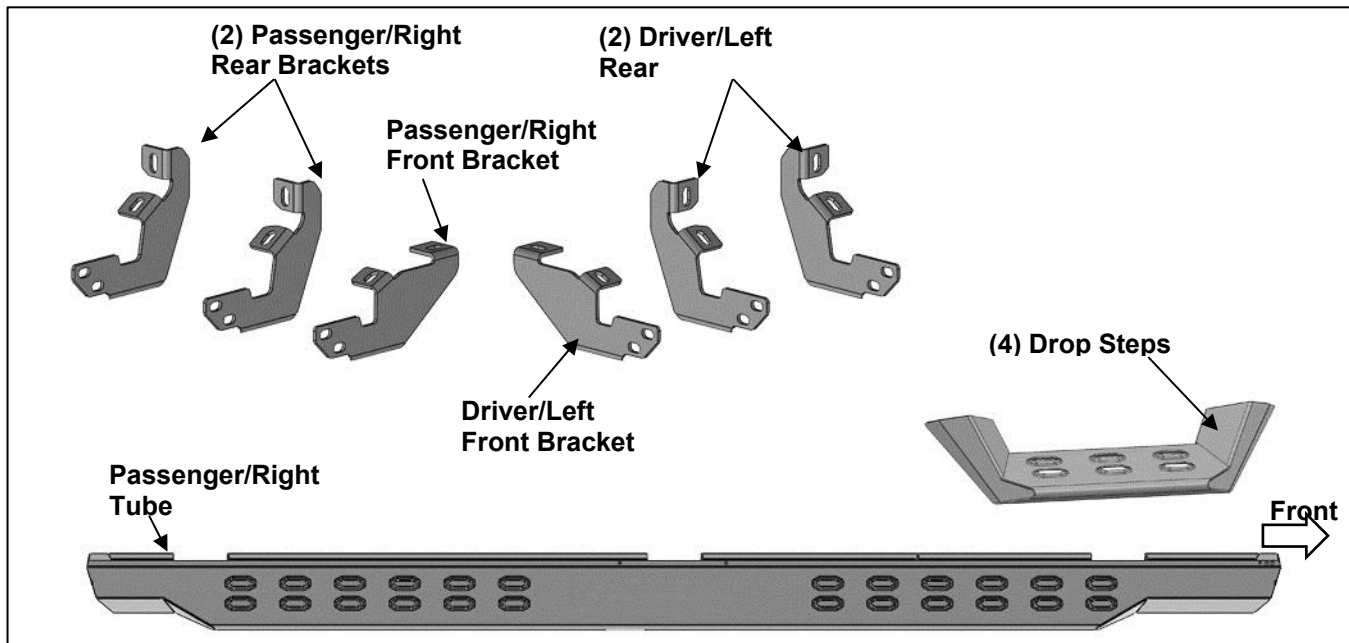
**INSTALLATION INSTRUCTIONS
HD OVERLAND DROP SIDE STEP BARS**

2019-2023 RANGER - SUPERCREW CAB

SKU: FR20083

PARTS LIST:

1	Driver/Left Tube	12	10mm x 25mm Hex Bolts
1	Passenger/Right Tube	12	10mm x 27mm OD x 3mm Flat Washers
4	Drop Steps	24	10mm x 20mm OD x 2mm Flat Washers
1	Driver/Left Front Mounting Bracket	12	10mm Lock Washers
1	Passenger/Right Front Mounting Bracket	12	10mm Nylon Lock Nuts
2	Driver/Left Rear Mounting Brackets	8	8mm Triangle Double Bolt Plates
2	Passenger/Right Rear Mounting Brackets	16	8mm x 22mm OD x 2mm Flat Washers
12	10mm x 30mm Hex Bolts	16	8mm Nylon Lock Nuts

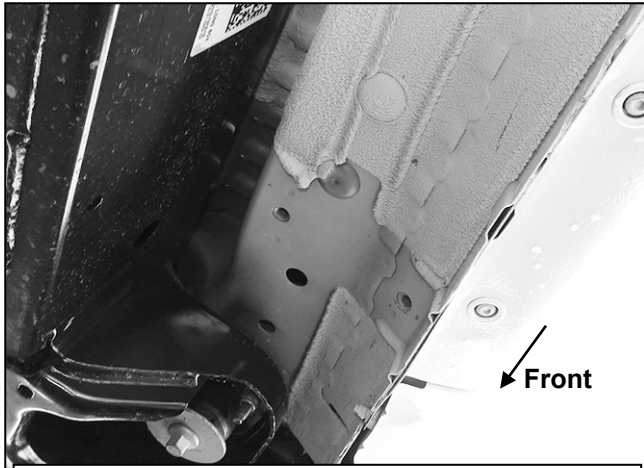


PROCEDURE:

- REMOVE CONTENTS FROM BOX. VERIFY ALL PARTS ARE PRESENT. READ INSTRUCTIONS CAREFULLY BEFORE STARTING INSTALLATION.**
- Starting from underneath the Passenger/Right body panel, locate the front mounting location and the threaded holes in the body panel, **(Figure 1)**. Remove the plastic plugs covering the holes.
- Select the Passenger/Right Front Mounting Bracket. Attach the Mounting Bracket to the front location with (2) 10mm x 25mm Hex Bolts, (2) 10mm Lock Washers and (2) 10mm x 27mm Large Flat Washers, **(Figure 2)**. Do not tighten hardware.
- Repeat **Steps 2 & 4** to attach (2) Passenger/Right Rear Mounting Brackets to the center and rear locations, **(Figures 3—5)**. Do not tighten hardware.
- Select the Passenger/Right Tube. Insert (2) 8mm Triangle Double Bolt Plates into the front (2) sets of (2) holes, **(Figure 6)**. Attach (1) Drop Step to the (2) Double Bolt Plates with (4) 8mm x 22mm Flat Washers and (4) 8mm Nylon Lock Nuts, **(Figure 7)**. Do not tighten hardware.
- With assistance, line up the mounting tabs in the Passenger/Right Tube to the rear faces of the Mounting Brackets. Secure the Tube to the Mounting Brackets with (6) 10mm Hex Bolts, (12) 10mm x 20mm Flat Washers and (6) 10mm Nylon Lock Nuts, **(Figure 8)**. Do not tighten hardware.
- Level and adjust the Overland Step, then tighten all hardware.
- Repeat **Steps 1—7** to attach the Driver/Left Overland Step.
- Do periodic inspections to the installation to make sure that all hardware is secure and tight.

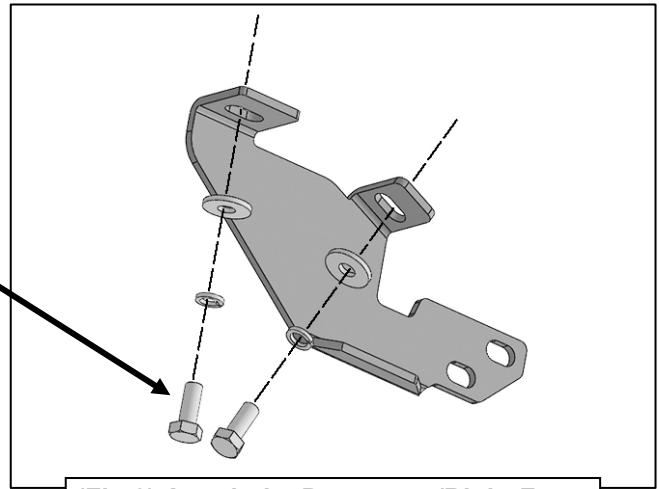
To protect your investment: Do not use any type of polish or wax that may contain abrasives that could damage the finish. Mild soap may be used to clean the Overland Sliders.

Passenger/Right side Installation Pictured

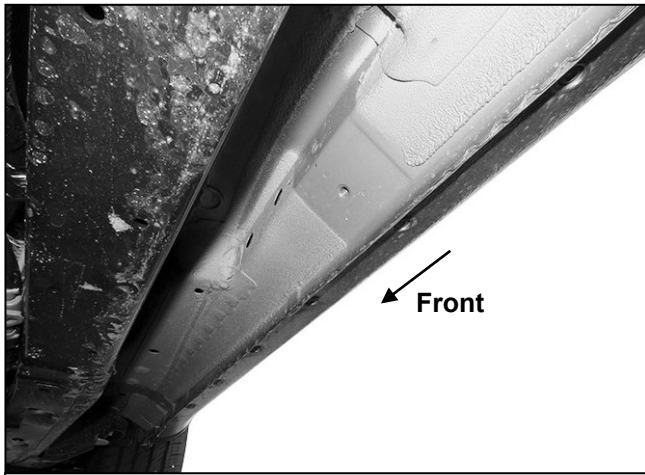


(Fig 1) Passenger/Right front mounting location

- (2) 10mm Hex Bolts
- (2) 10mm Lock Washers
- (2) 10mm Flat Washers

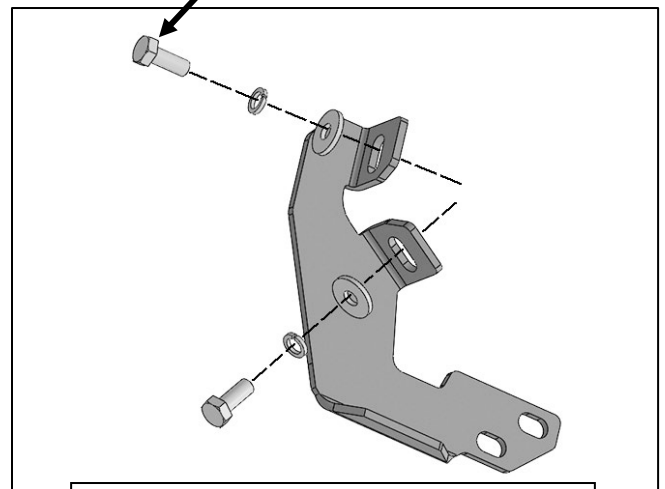


(Fig 2) Attach the Passenger/Right Front Mounting Bracket to the front location



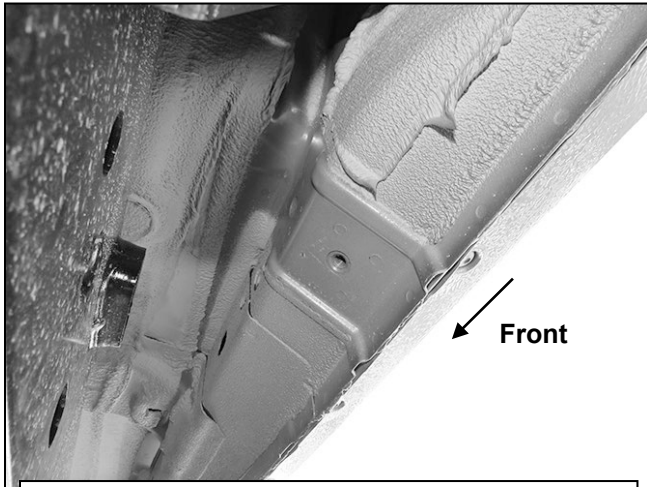
(Fig 3) Passenger/Right center mounting location

- (2) 10mm x 25mm Hex Bolts
- (2) 10mm Lock Washers
- (2) 10mm x 27mm Flat Washers



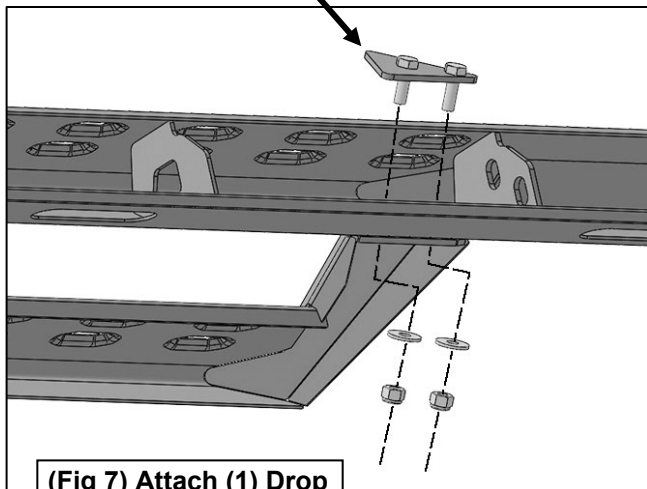
(Fig 4) Attach (1) Passenger/Right Rear Mounting Bracket to the center location

Passenger/Right side Installation Pictured

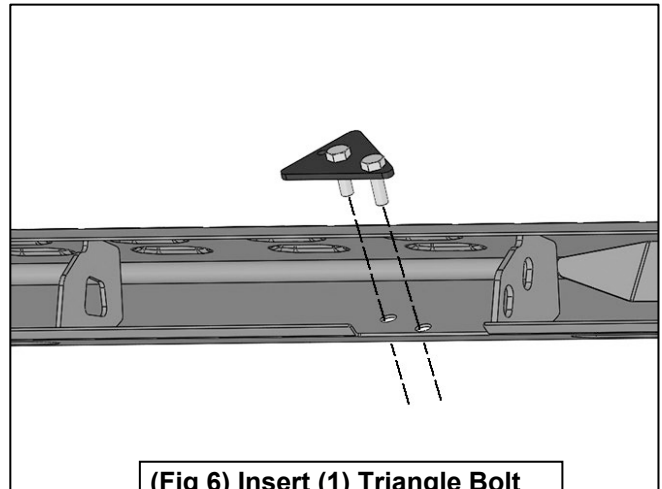


(Fig 5) Passenger/Right rear mounting location

- 8mm Bolt Plate
- (2) 8mm Flat Washers
- (2) 8mm Nylon Lock Nuts

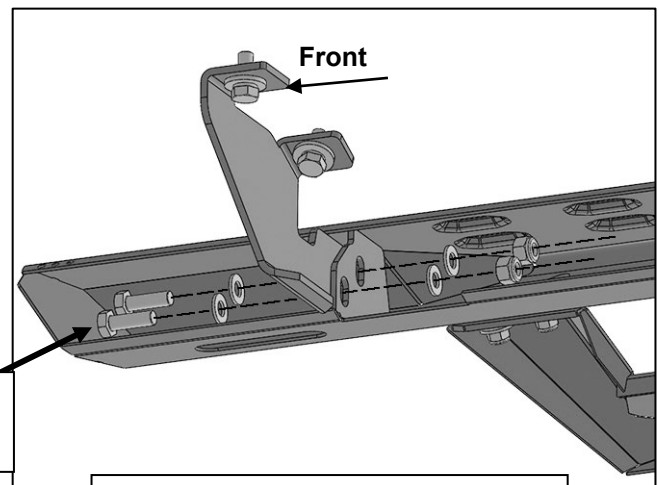


(Fig 7) Attach (1) Drop Step to (2) Bolt Plates



(Fig 6) Insert (1) Triangle Bolt Plate into the holes in the Tube

- (2) 10mm Hex Bolts
- (4) 10mm Flat Washers
- (2) 10mm Nylon Lock Nuts



(Fig 8) Attach the Passenger/Right Side Step to the Mounting Brackets