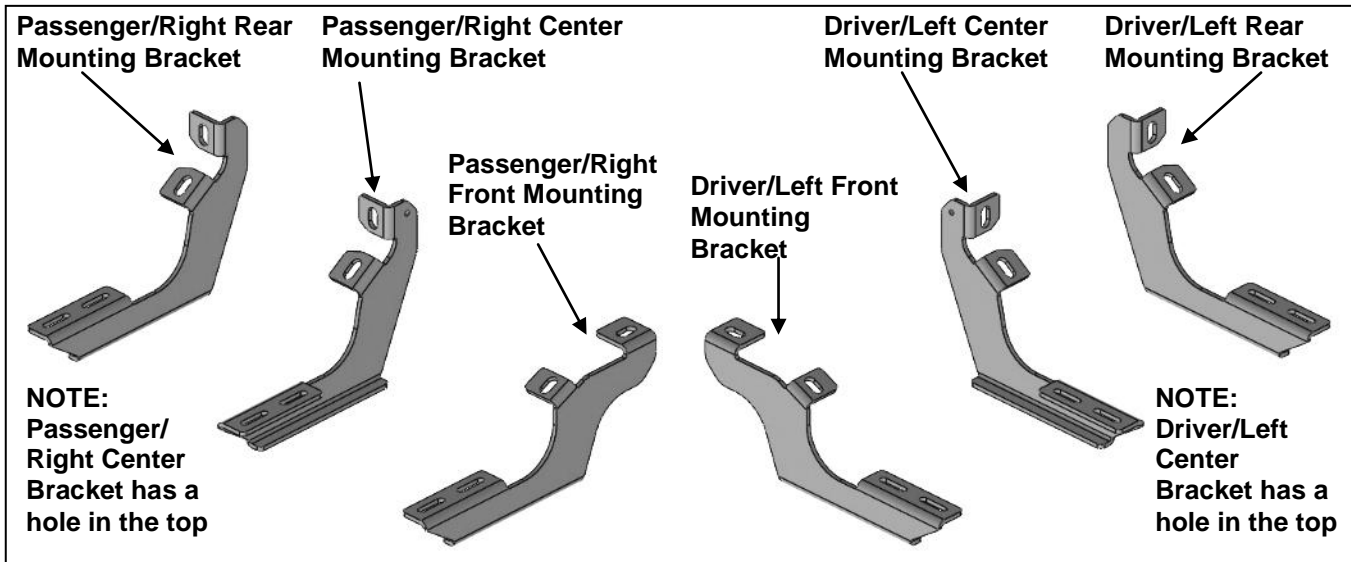


PARTS LIST:

2	Rattler Running Boards	12	10-1.5mm x 25mm Hex Bolts
1	Driver/Left Front Mounting Bracket	12	10mm Lock Washers
1	Passenger/Right Front Mounting Bracket	12	10mm x 27mm x 3mm Flat Washers
1	Driver/Left Center Mounting Bracket	6	6mm x 1.0mm x 30mm Double Bolt Plates
1	Passenger/Right Center Mounting Bracket	12	6mm x 22mm x 2mm Flat Washers
1	Driver/Left Rear Mounting Bracket	12	6mm Lock Washers
1	Passenger/Right Rear Mounting Bracket	12	6mm Hex Nuts



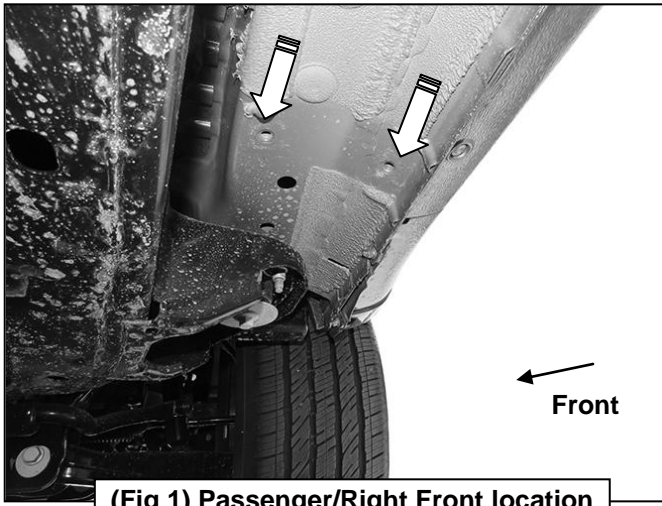
PROCEDURE:

REMOVE CONTENTS FROM BOX. VERIFY ALL PARTS ARE PRESENT. READ INSTRUCTIONS CAREFULLY BEFORE STARTING INSTALLATION. ASSISTANCE IS RECOMMENDED.

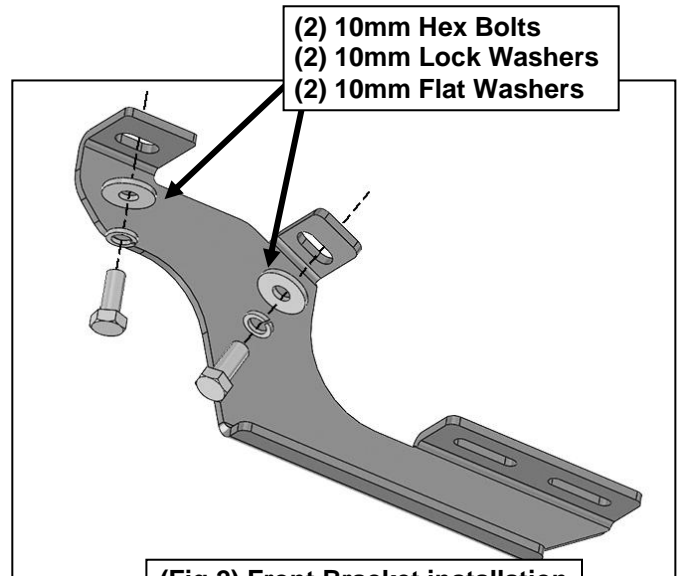
1. Start the installation under the Passenger/Right side of the vehicle. Locate the front factory mounting location along the inner side of the body, **(Figure 1)**.
2. Remove the plastic plugs covering the mounting holes. Select Passenger/Right Front Mounting Bracket. Attach to Passenger/Right front location with (2) 10mm x 25mm Hex Bolts, (2) 10mm Lock Washers and (2) 10mm Flat Washers **(Figure 2)**. Do not tighten hardware at this time.
3. Locate the center threaded mounting holes. Select Passenger/Right Center Mounting Bracket. Attach with (2) 10mm x 25mm Hex Bolts, (2) 10mm Lock Washers and (2) 10mm Flat Washers, **(Figures 3 & 5)**. Do not tighten hardware at this time. **NOTE:** The Passenger/Right Center and Rear Mounting Brackets look similar, the bottom tabs face opposite directions and there is a small hole on the top of the Passenger/Right Center Mounting Bracket, **(Figure 4)**.
4. Repeat **Step 3** to install Passenger/Right Rear Mounting Bracket, **(Figures 5 & 6)**.
5. Carefully unwrap and select the (1) Rattler Running Board.
6. Place the Running Board on top of the Brackets. Locate the channel in the bottom of the Running Board. Select (3) 6mm Double Bolt Plates. Insert the Bolt Plates into the channel in the bottom of the Running Board closest to the Brackets, **(Figure 7)**. Lift the Running Board up and guide the studs down through the Brackets.
7. Attach the Running Board to the Brackets with (6) 6mm Flat Washers, (6) 6mm Lock Washers and (6) 6mm Hex Nuts, **(Figure 8)**. Do not tighten hardware at this time.
8. Level and adjust the Running Board as necessary and fully tighten all hardware.
9. Repeat **Steps 1—8** for the Driver/Left side Running Board installation.
10. Do periodic inspections to the installation to make sure that all hardware is secure and tight.

To protect your investment, Do not use any type of polish or wax that may contain abrasives that could damage the finish. Mild soap may be used also to clean the Running Board.

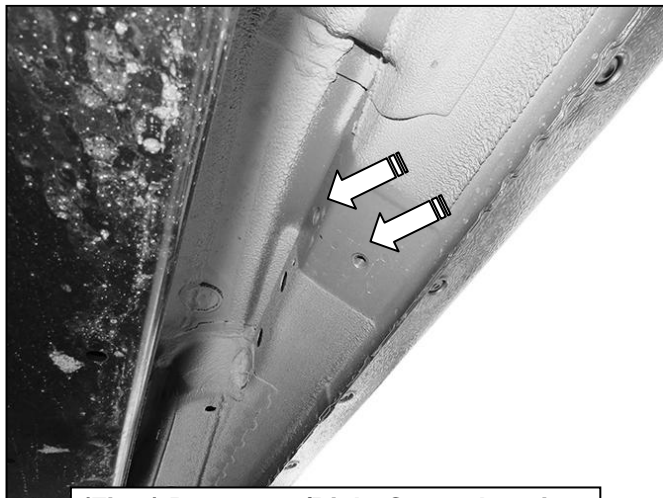
Passenger/Right Side Installation Pictured



(Fig 1) Passenger/Right Front location

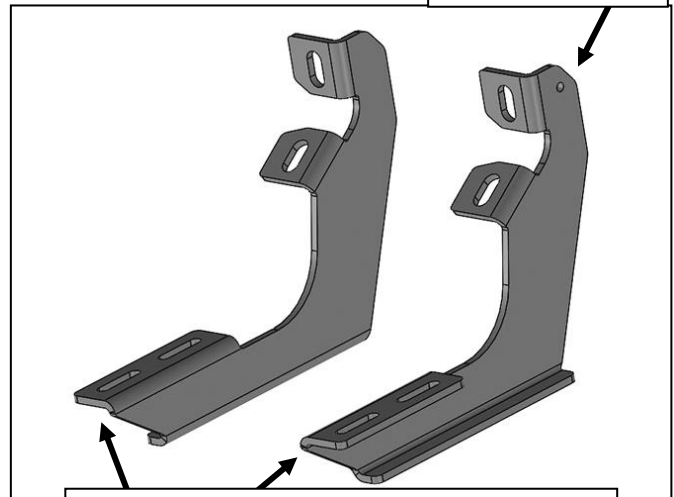


(Fig 2) Front Bracket installation



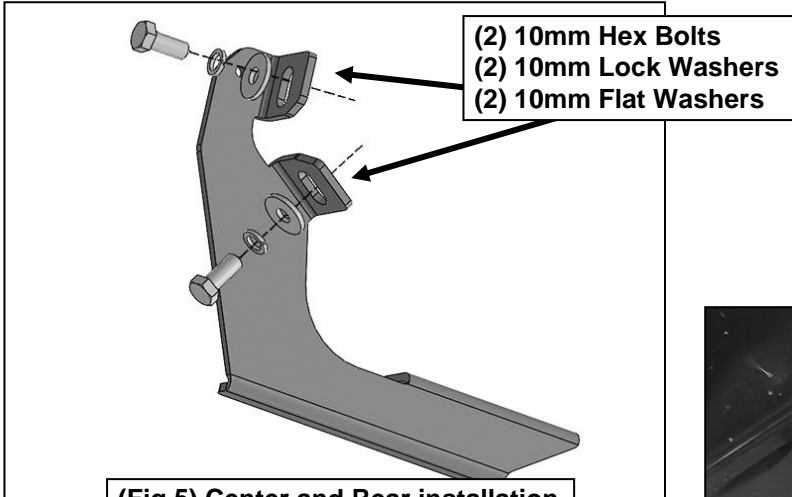
(Fig 3) Passenger/Right Center location

**Center Mounting
Brackets have a
hole in the top.**

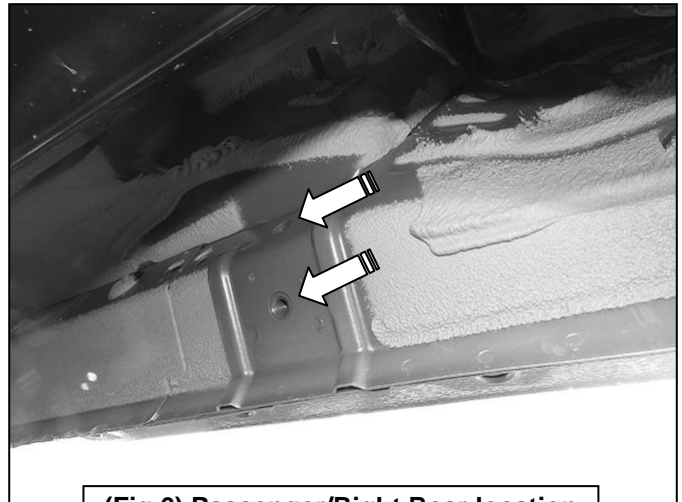


(Fig 4) Passenger/Right Center and Rear Mounting Brackets NOTE: The Center and Rear Mounting Brackets look similar. The Tabs on the bottom are opposite.

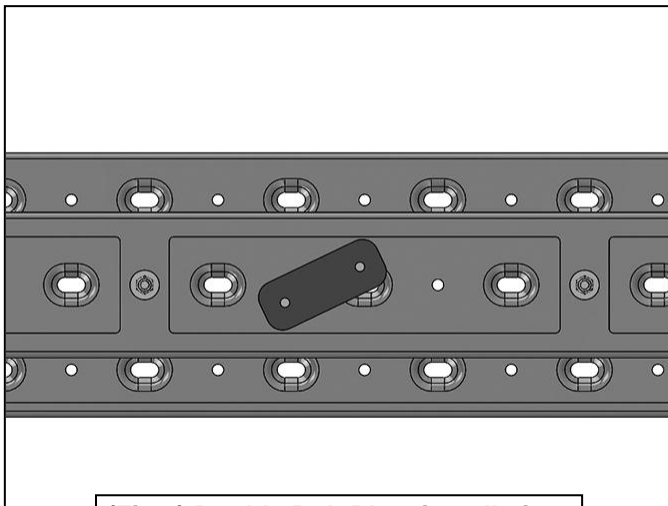
Passenger/Right Side Installation Pictured



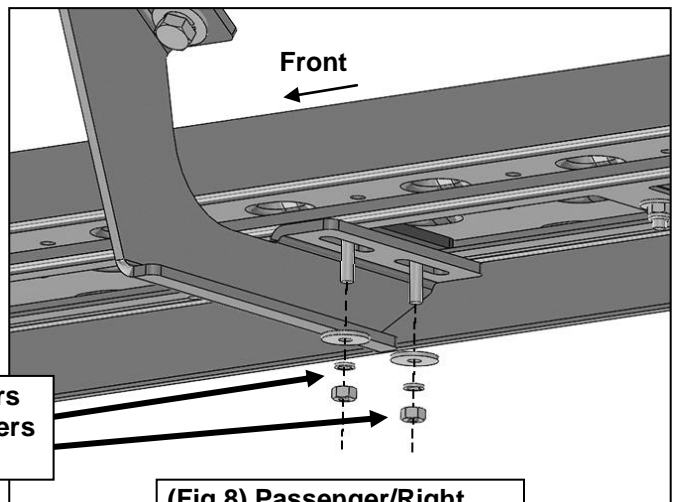
**(Fig 5) Center and Rear installation
(Center Bracket pictured)**



(Fig 6) Passenger/Right Rear location



(Fig 7) Double Bolt Plate installation



- (2) 6mm Flat Washers
- (2) 6mm Lock Washers
- (2) 6mm Hex Nuts

**(Fig 8) Passenger/Right
Running Board installation**