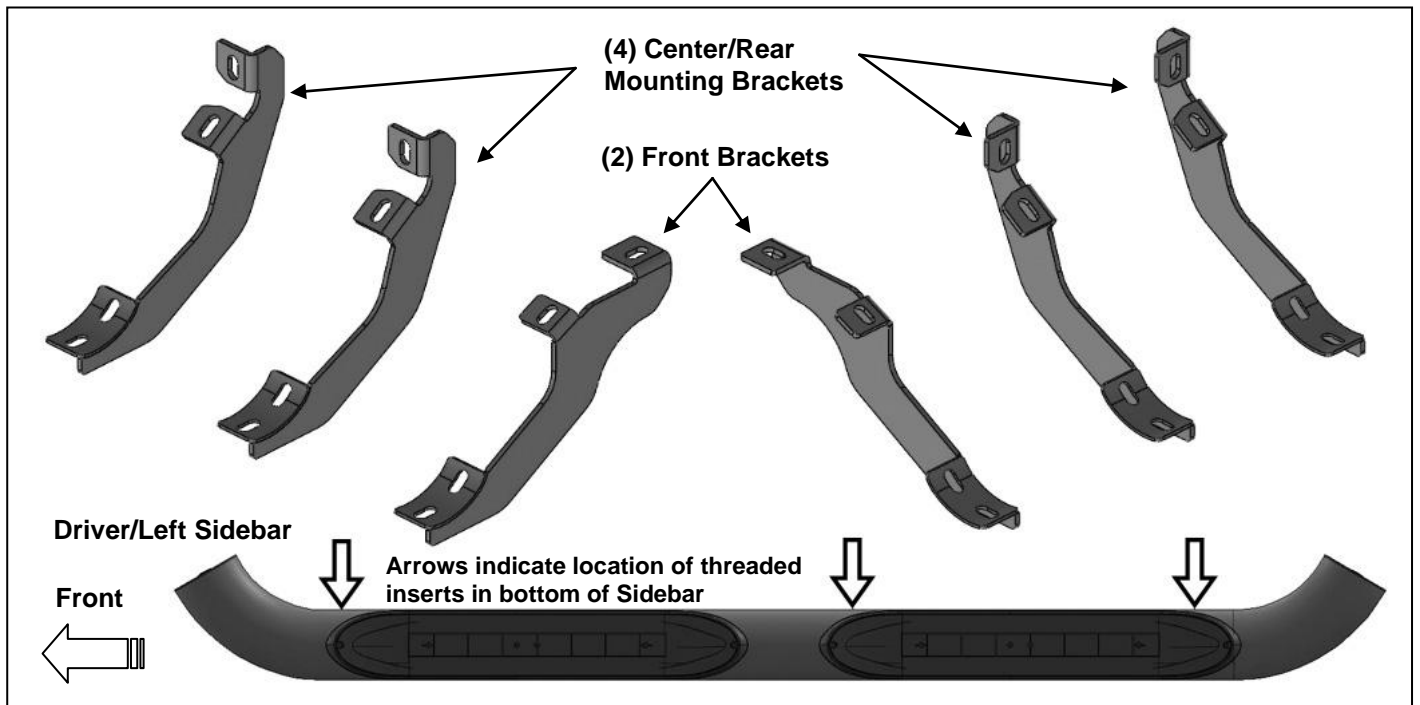


PARTS LIST:

1	Driver/Left Sidebar	12	10-1.5mm x 25mm Hex Bolts
1	Passenger/Right Sidebar	12	10mm Lock Washers
2	Front Mounting Brackets	12	10mm x 27mm x 3mm Flat Washers
4	Center and Rear Mounting Brackets	12	8-1.25mm x 25mm Combo Bolts

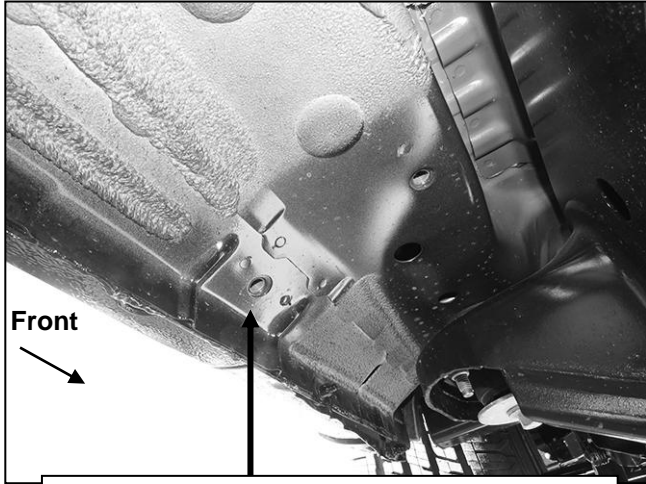


PROCEDURE:

1. REMOVE CONTENTS FROM BOX. VERIFY ALL PARTS ARE PRESENT. READ INSTRUCTIONS CAREFULLY BEFORE STARTING INSTALLATION.
2. Start installation from under the Driver/Left side inner rocker panel. Locate the threaded mounting holes in the rocker panel, **(Figure 1)**. Remove the plastic plugs covering the mounting holes.
3. Select (1) Front Mounting Bracket, **(Figure 2)**. Attach the Bracket to the threaded holes in the front location with (2) 10mm Hex Bolts, (2) 10mm Lock Washers and (2) 10mm Flat Washers, **(Figures 2 & 3)**. Do not tighten hardware at this time.
4. Locate the threaded mounting holes in the center location. Select (1) Center/Rear Mounting Bracket. Attach the Bracket to the threaded holes with (2) 10mm Hex Bolts, (2) 10mm Lock Washers and (2) 10mm Flat Washers, **(Figures 4—6)**. Do not tighten hardware at this time.
5. Repeat **Step 4** to install the driver/left rear Mounting Bracket, **(Figures 5 & 7)**.
6. Unwrap the Driver/Left Sidebar. Attach the Sidebar to the Brackets with the included (6) 8mm Combo Bolts. Do not tighten hardware at this time, **(Figure 8)**. **IMPORTANT:** Do not slide or rotate Sidebar on the cradles or damage to the finish may result.
7. Level and adjust the Sidebar and tighten all hardware.
8. Repeat **Steps 2—7** for Passenger/Right Sidebar installation.
9. Do periodic inspections to the installation to make sure that all hardware is secure and tight.

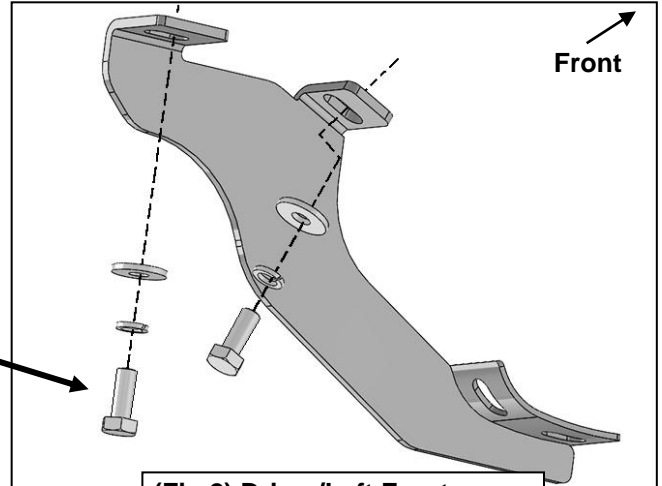
To protect your investment, Do not use any type of polish or wax that may contain abrasives that could damage the finish. **For Stainless Steel,** Aluminum polish may be used to polish small scratches and scuffs on the finish. Mild soap may be used to clean the Sidebar.

Driver/Left side Installation Pictured

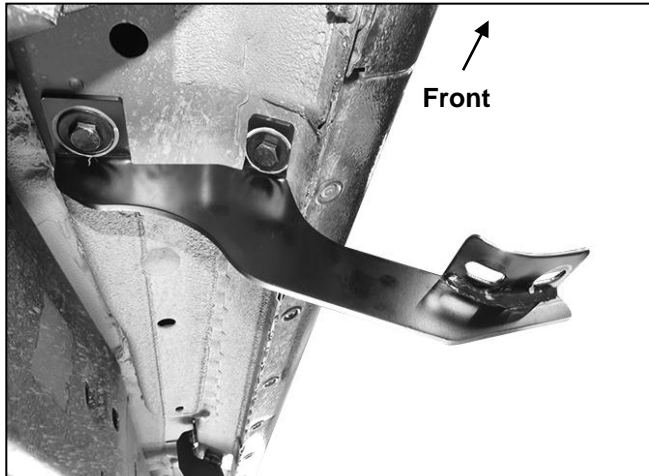


(Fig 1) Driver/Left front mounting Location

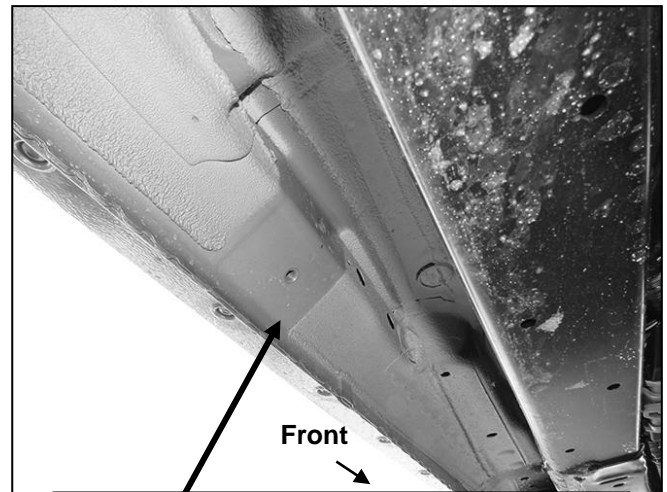
- (2) 10mm Hex Bolts
- (2) 10mm Lock Washers
- (2) 10mm Flat Washers



(Fig 2) Driver/Left Front Mounting Bracket installation



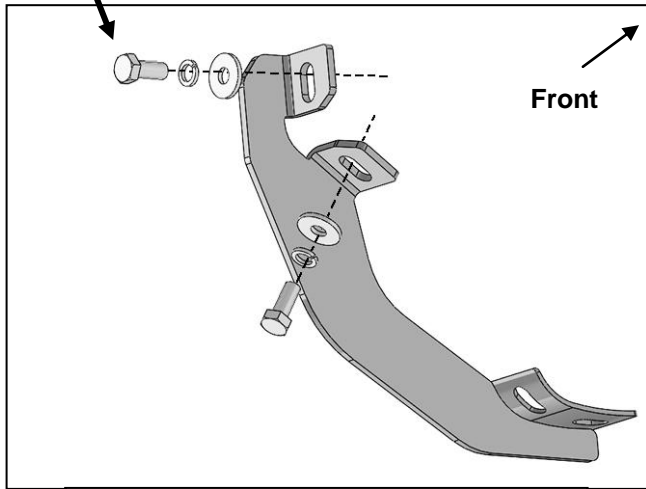
(Fig 3) Driver/Left Front Mounting Bracket installed



(Fig 4) Driver/Left Center mounting location

Driver/Left side Installation Pictured

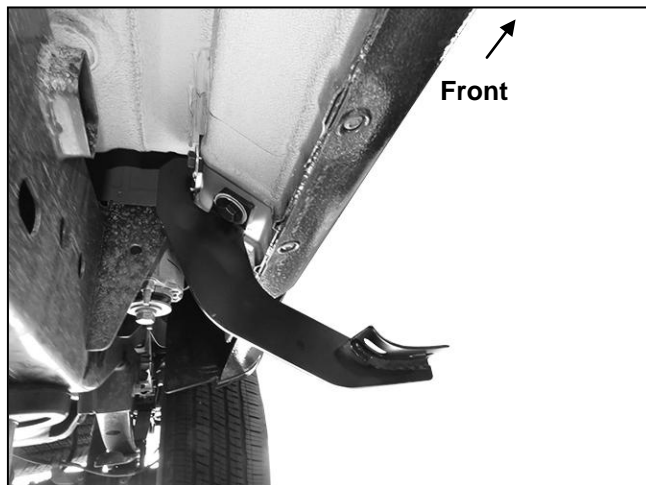
- (2) 10mm Hex Bolts
- (2) 10mm Lock Washers
- (2) 10mm Flat Washers



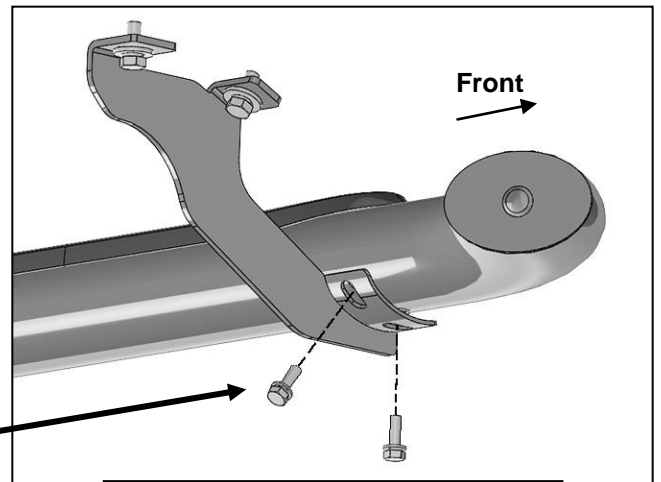
(Fig 5) Example of Driver/Left Center and Rear mounting Bracket installation



(Fig 6) Driver/Left Center Mounting Bracket installed



(Fig 7) Driver/Left Rear Mounting Bracket installed



- (2) 8mm Combo Bolts

(Fig 8) Attach Sidebar to Brackets