



TEL: 1-866-XANATOS

INSTALLATION INSTRUCTIONS

RAMBLER GRILLE GUARD BRACKET FOR 2024 FORD RANGER

PART # RAF11

PROTECTED BY ONE OR MORE PATENT

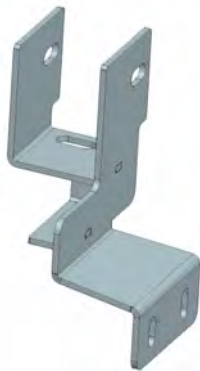

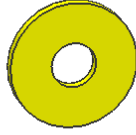
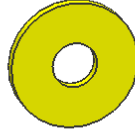




Before Installation

- Please read the instruction completely for easy installation, which will also help you to avoid scratches or other potential damages to your appealing car.
- The figures here are for reference only and may have differences with the actual product you received, however they share the same assembly way.





Care and Cleaning

- Mild soap may be used also to clean the Product.
- Please periodically check and retighten all the hardware and clean the investment for a refresh look.

Parts list

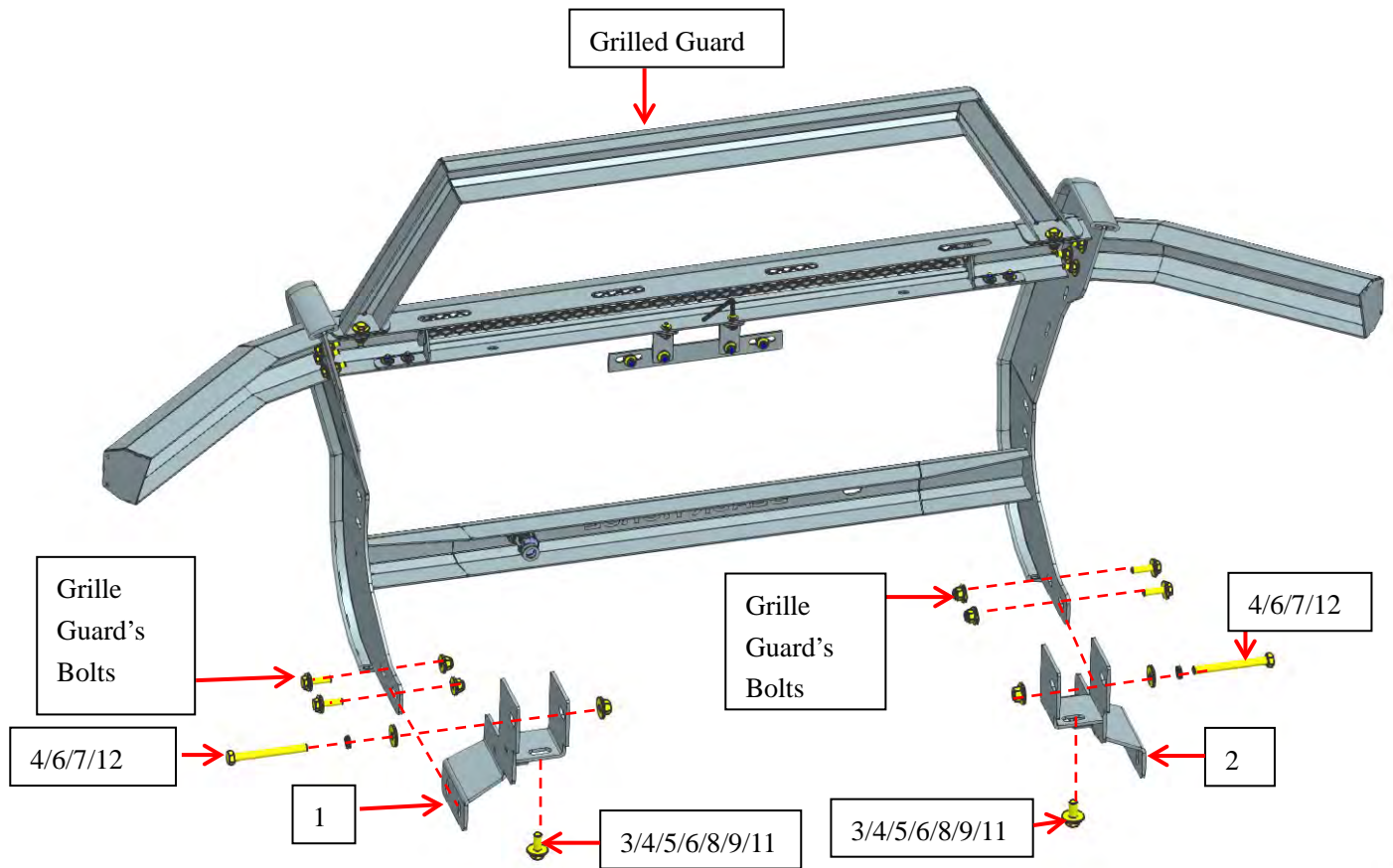
NO.	QTY	NAME	NO.	QTY	NAME
①	1	 Driver/Left Side Frame Mounting Bracket	②	1	 Passenger/Right Side Frame Mounting Bracket
③	2	 Flat Washer D10(10x30x2.5mm)	④	6	 Flat Washer D12_32_3
⑤	2	 Lock Washer D10	⑥	4	 Lock Washer D12
⑦	2	 Hex Nut M12	⑧	2	 Hex Bolt (Full Thread) M10_30

RAMBLER GRILLE GUARD BRACKET FOR 2024 FORD RANGER

<p>⑨</p> <p>2</p>	 <p>Hex Bolt (Full Thread) M12_30</p>	<p>⑩</p> <p>2</p>	 <p>Hex Bolt (Full Thread) (Fine Thread) M12x1.5_30</p>
<p>⑪</p> <p>2</p>	 <p>Hex Bolt (Full Thread) (Fine Thread) M10x1.25_30</p>	<p>⑫</p> <p>2</p>	 <p>Hex Bolt (Full Thread) M12_110</p>

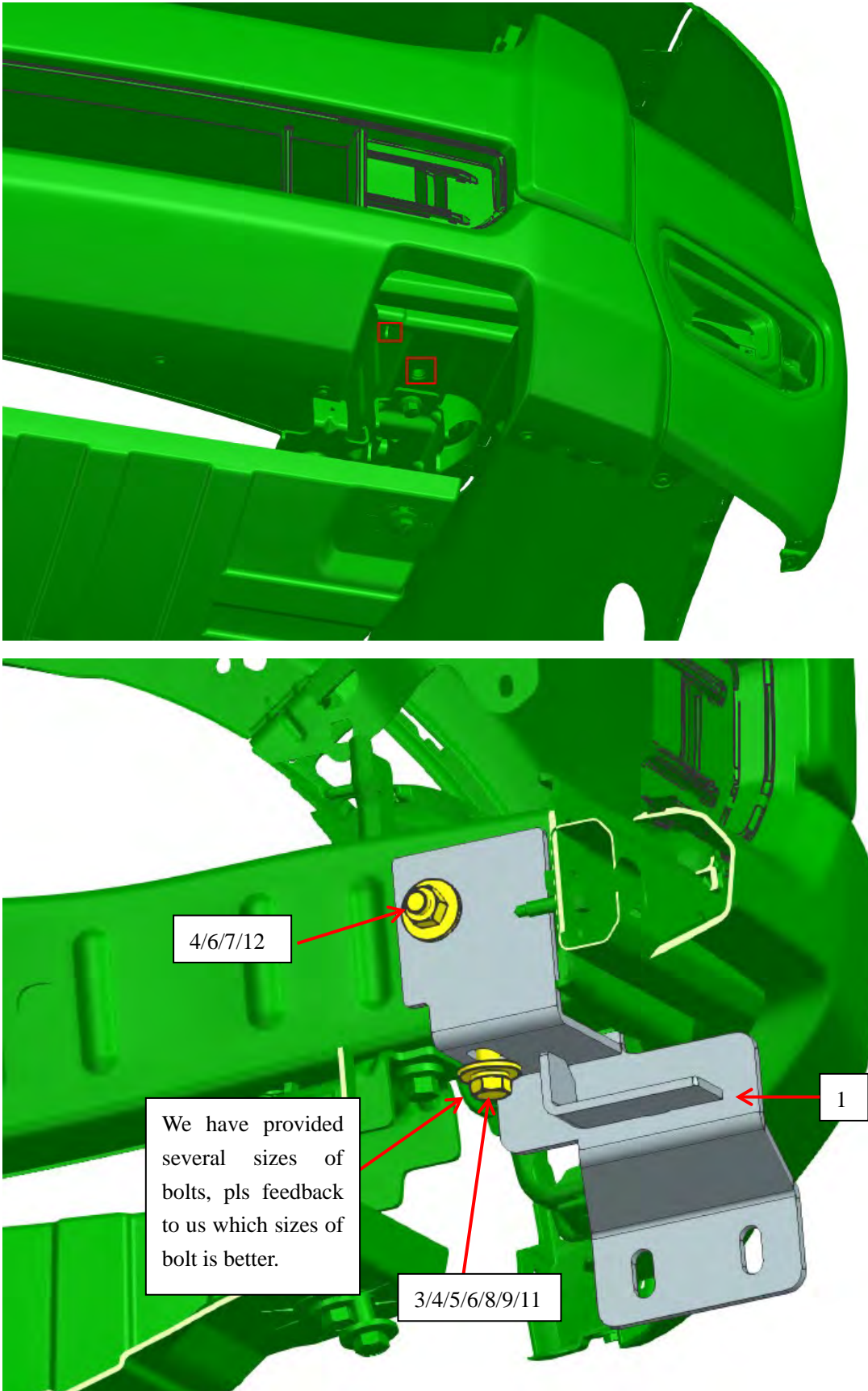
Installation Steps

Installation Figure:

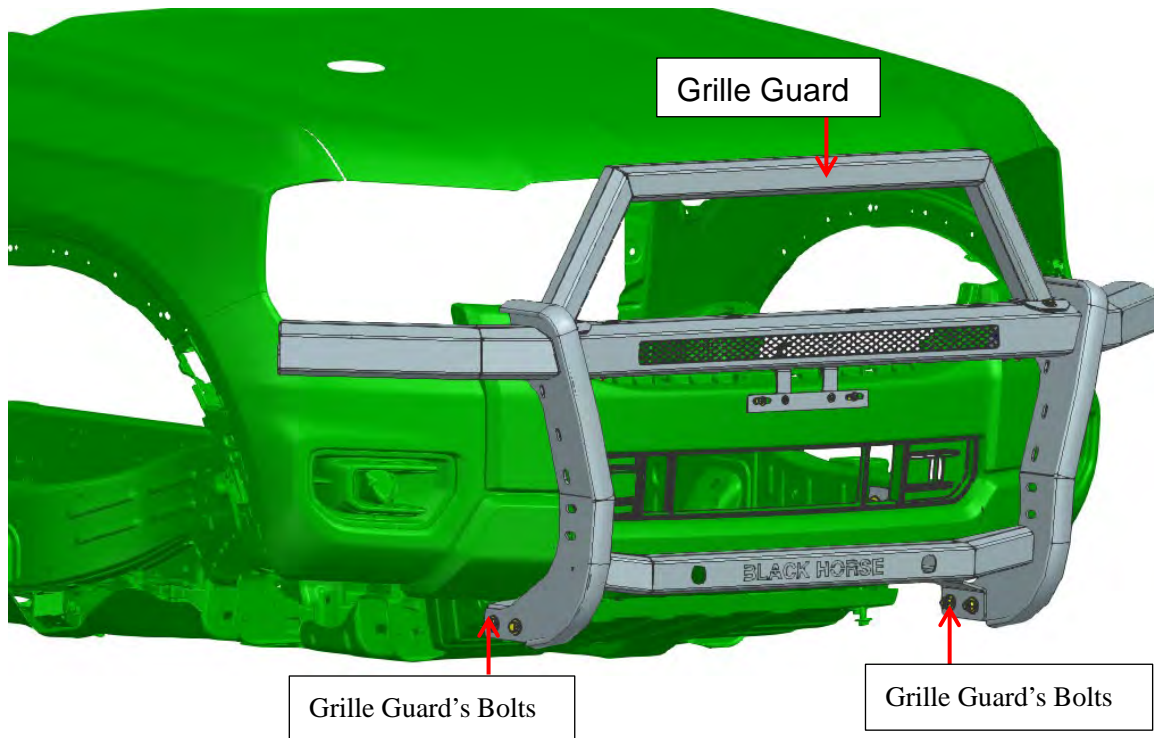


Step 1: Verify all parts are present.

Step 2: Find the Driver/Left Side Frame Mounting Bracket installation hole at the left side beam of the vehicle and install it using standard parts. The installation method is the same on both sides. The following picture shows the left:



Step 3: Install and fix the grille guard and brackets using standard parts, as shown in the following figure:



Finish installation:



NOTE

Any damages and losses caused by improper installation and application, goes beyond our quality warranty.