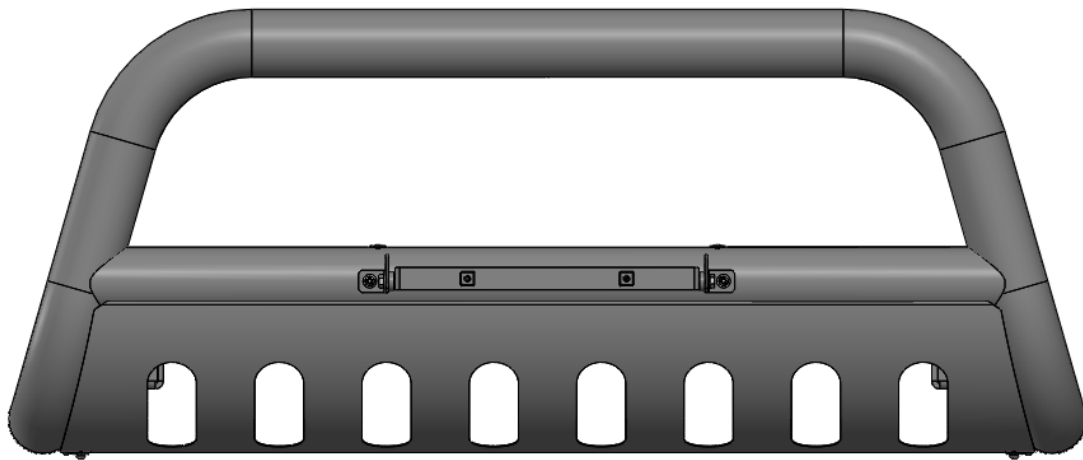


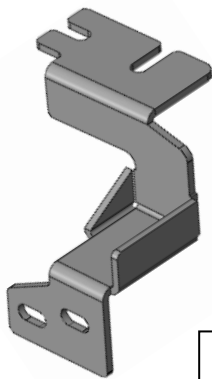
INSTALLATION INSTRUCTIONS

PARTS LIST: FR61140

Description	Qty	Description	Qty
Bull Bar	1	10mm Nylon Lock Nuts	4
Driver/Left Mounting Bracket	1	10mm x 27mm x 3mm Flat Washers	8
Passenger/Right Mounting Bracket	1	12-1.75mm x 45mm Hex Bolts	2
License Plate Bracket	1	12mm x 37mm x 3mm Flat Washers	2
Plastic Plugs for License Plate Bracket	2	12mm Lock Washers	2
6 mm Button Head Combo Bolts	2	S=4 Allen Wrench	1
10-1.5mm x 35mm Hex Bolts	4		



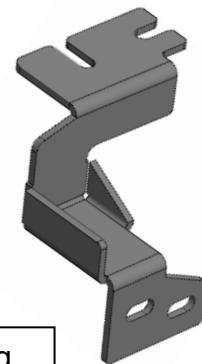
3in Bull Bar



PS Mounting Bracket



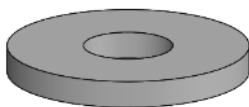
License Plate Bracket



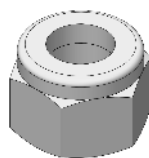
DS Mounting Bracket



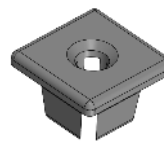
Hex Bolt



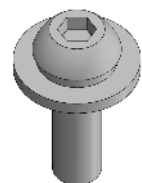
Flat Washer



Nylon Lock Nut



Plastic Plug



Button Head Combo Bolt

TOOLS REQUIRED

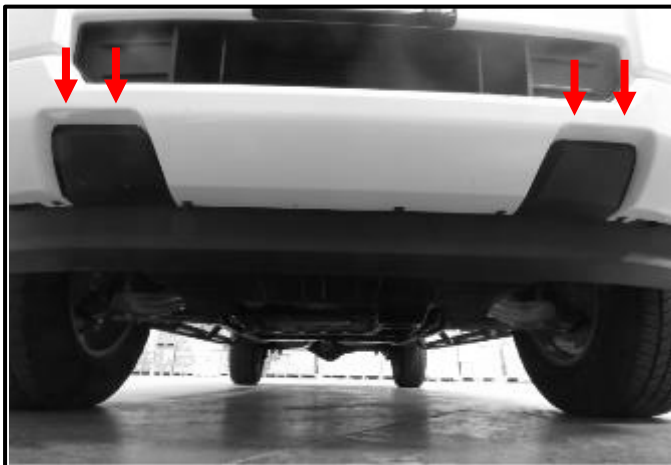


1

Follow (Fig 1 - 2) to prepare the mounting points for the Bull Bar. Remove the License Plate from the vehicle at this point as well.



(Fig 1) Remove the Air Dam by removing the bolts along the bottom edge of the Front Fascia.



(Fig 2) Remove the Tow Hook Covers by removing the two clips within the inside of the fascia.

Note: If your vehicle has Tow Hooks, remove them and the cover as well.

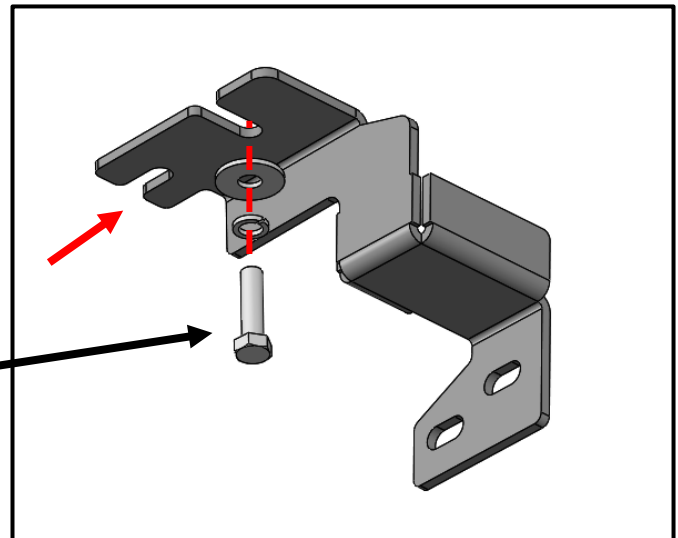
2

Follow (Fig 3 – 5) to install the Mounting Brackets to the vehicle. Driver/left side installation depicted, repeat on the Passenger/right side once complete. Hand tighten only at this point.



(Fig 3) Partially loosen the bolt depicted.

- (1) 12mm Hex Bolt
- (1) 12mm Lock Washer
- (1) 12mm Flat Washer



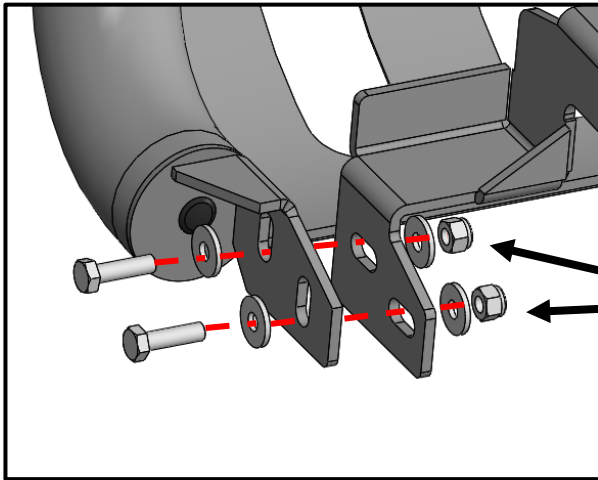
(Fig 4) Slide the loosened bolt into the open Mounting Plate slot. Then, tighten the bolt and install as shown.



(Fig 5) The Mounting Bracket is now installed.

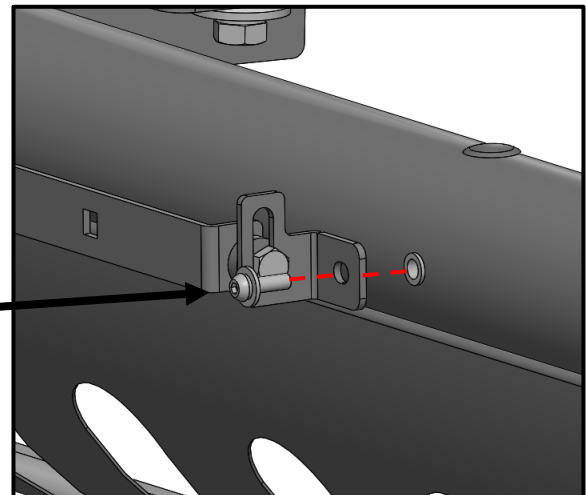
3

Follow (Fig 5) to install the Bull Bar to the Mounting Brackets. Follow (Fig 6 – 7) to relocate the License Plate.



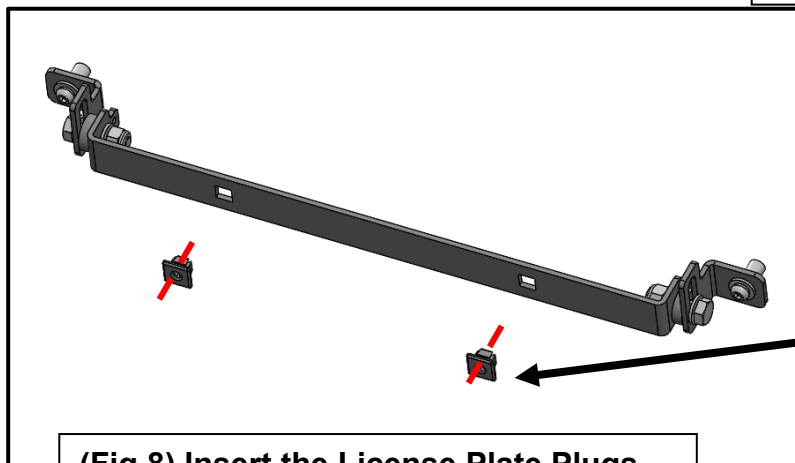
- (2) 10mm Hex Bolts
- (4) 10mm Flat Washers
- (2) 10mm Nylon Lock Nuts

(Fig 6) Install the Bull Bar to the Mounting Brackets as shown.



- (1) 6mm Button Head Combo

(Fig 7) Install the License Plate Bracket to the Bull Bar as shown.

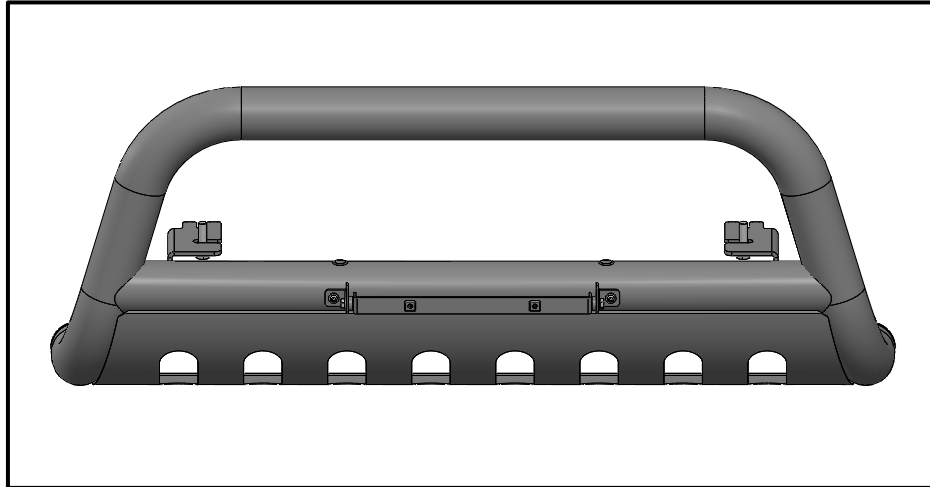


- (1) Plastic Plug

(Fig 8) Insert the License Plate Plugs. Reinstall the License Plate to these plugs, reusing the OEM hardware.

4

Installation is now complete. Ensure that the mounting brackets are level, then ensure that the Bull Bar is centered. Fully tighten all hardware at this point. Perform periodic inspections to the installation to make sure that all hardware is secure and tight. The Air Dam can be re-installed at this point if desired.



Completed Installation