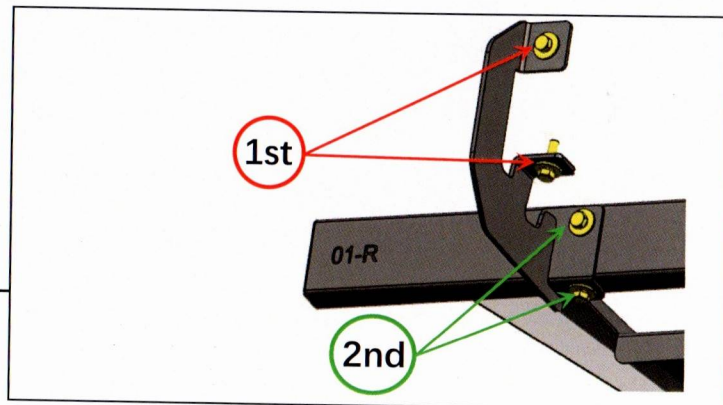


BARRICADE

STEP 5



Tighten the mounting brackets to the vehicle. Adjust the running board to the desired angle, and tighten the bolts to secure the step into place. See photo for tightening order visual.

Repeat steps 1-5 for the remaining running board.

Installation is now complete.

BARRICADE

HD WIDE STEP RUNNING BOARDS

(2019-2025+ SILVERADO 1500 CREW CAB)
(2020-2025+ SILVERADO 2500-3500 CREW CAB)
(2019-2025+ SIERRA 1500 CREW CAB)
(2020-2025+ SIERRA 2500-3500 CREW CAB)

INSTALLATION INSTRUCTIONS

CONTENTS

(1) LH Running Board
(1) RH Running Board
(4) LH Step Brackets
(4) RH Step Brackets
(16) M8 x 30mm Hex Bolts
(16) M8 x 24mm OD x 2mm Flat Washers
(16) M8 Lock Washers
(16) M8 x 25mm Combo Bolts

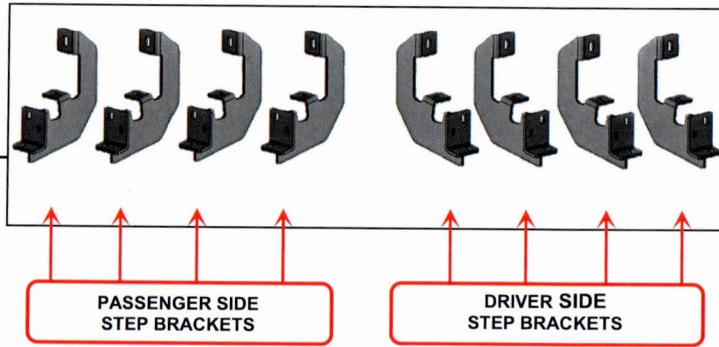
TOOLS REQUIRED

13mm
Sockets/Wrenches
Ratchet

SKU # S220336
Edited:11/17/2025

BARRICADE

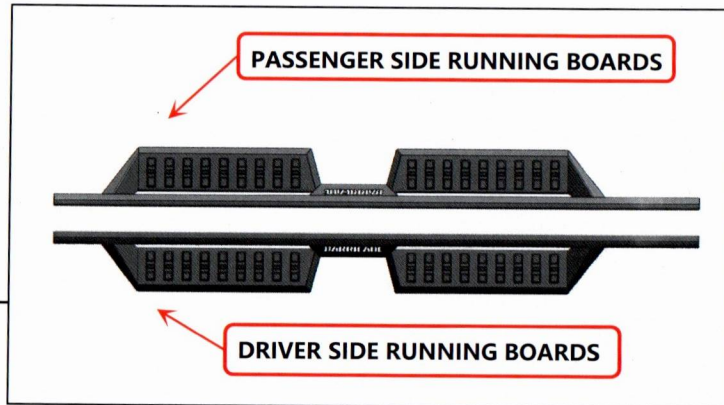
STEP 1



Please identify each mounting bracket using the engraved location identifier.
Notice: The brackets can be used at any position along the same side of the vehicle.

DF: Driver Front PF: Passenger Front
DC: Driver Center PC: Passenger Center
DR: Driver Rear PR: Passenger Rear

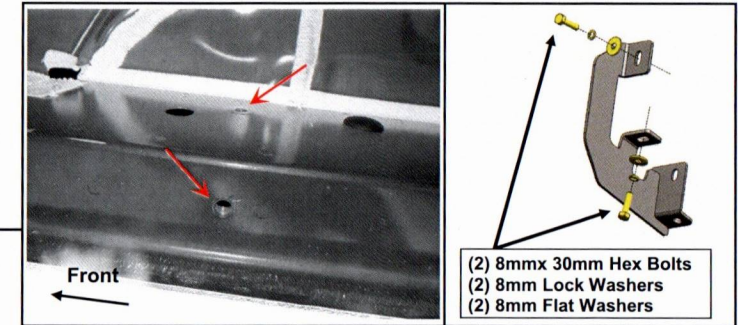
STEP 2



Identify each running board by identifier on the front. **Notice:** "L" for Driver/Left Side; "R" for Passenger/Right Side.

BARRICADE

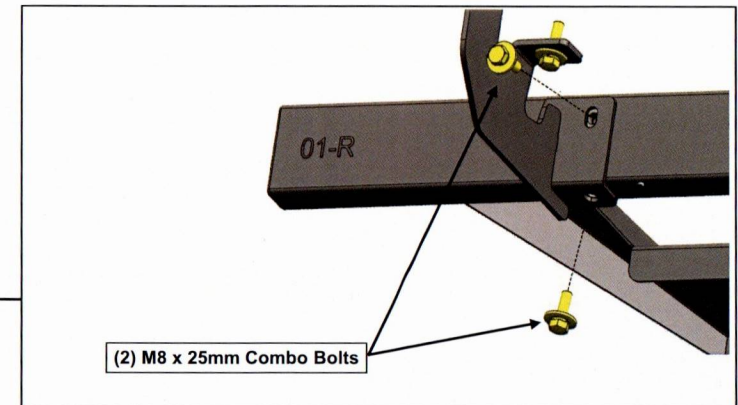
STEP 3



Start installation toward the front of the Passenger/Right side of the vehicle.

Loosely fit the (1) Passenger step bracket to the vehicle threaded body hole using (2) M8 x 30mm hex bolts, (2) M8 lock washers, and (2) M8 flat washers. Do not fully tighten to allow for later adjustments. Repeat this step for all step brackets.

STEP 4



With all brackets loosely mounted to the vehicle, fit the running board onto the front bracket, and loosely secure into place using (2) M8 x 25mm combo bolts. Repeat the step for other (3) PS step brackets.