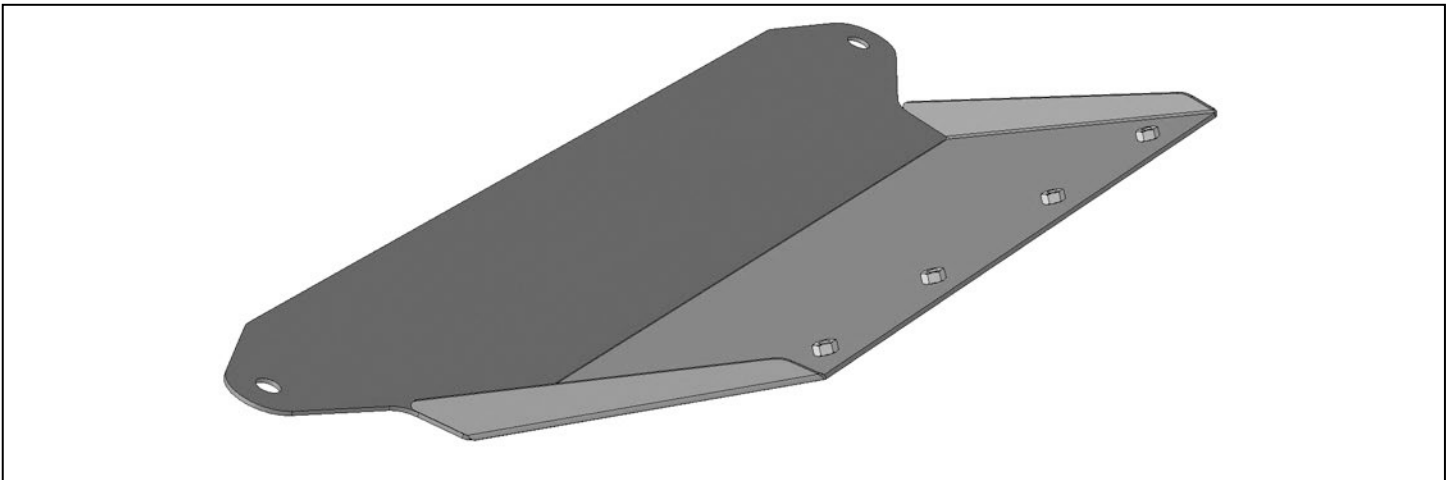


LD2 FRONT BUMPER SKID PLATE  
2013-18 RAM 1500, 2019 RAM 1500 "CLASSIC"



**PARTS LIST: HR21565**

1	Skid Plate	4	8-1.25mm x 25mm Button Head Bolt
2	12-1.5mm x 30mm Fine Thread Hex Bolts	4	8mm x 24mm x 2mm Flat Washers
2	12mm x 37mm x 3mm Flat Washers	4	8mm Lock Washer
2	12mm Lock Washers	1	5mm Allen Wrench



**PROCEDURE:**

**REMOVE CONTENTS FROM BOX. VERIFY ALL PARTS ARE PRESENT. READ INSTRUCTIONS CAREFULLY BEFORE STARTING INSTALLATION. ASSISTANCE IS RECOMMENDED.**

1. On models with tow hooks, temporarily remove the tow hooks.
2. Carefully unwrap the Skid Plate. With assistance, line up the front of the Skid Plate with the back of the LD2 Bumper. Attach the Skid Plate to the Bumper with the included (4) 8mm Button Head Bolts, (4) 8mm Lock Washers and (4) 8mm Flat Washers, **(Figure 1)**. Leave hardware loose at this time.
3. Line up the mounting tabs on the end of the Skid Plate with the threaded holes in the bottom of the lower frame.

**Models without tow hooks:**

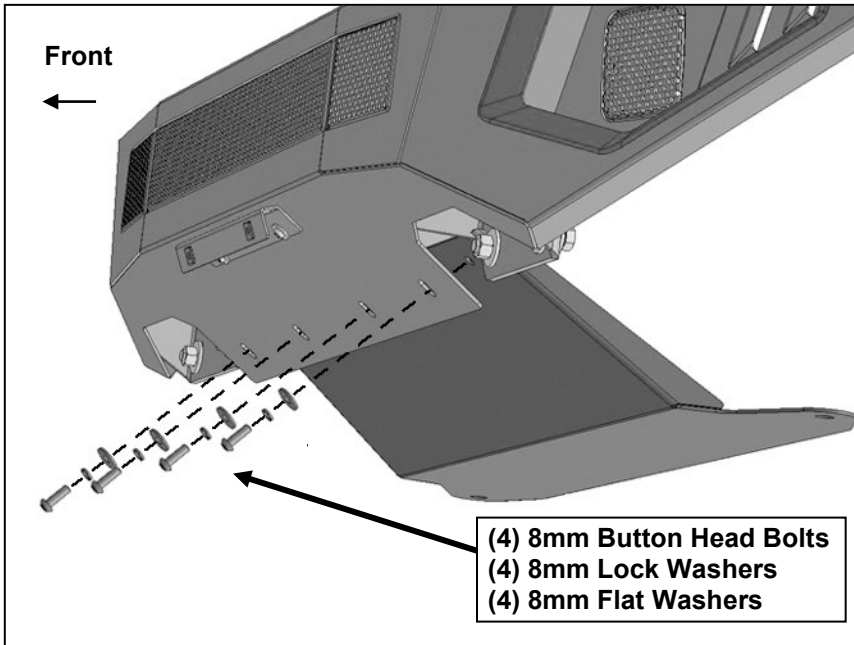
- a. Attach the mounting tabs to the bottom of the lower frame with the included (2) 12-1.5mm Fine Thread Bolts, (2) 12mm Lock Washers and (2) 12mm Flat Washers, **(Figure 2)**.

**Models with tow hooks:**

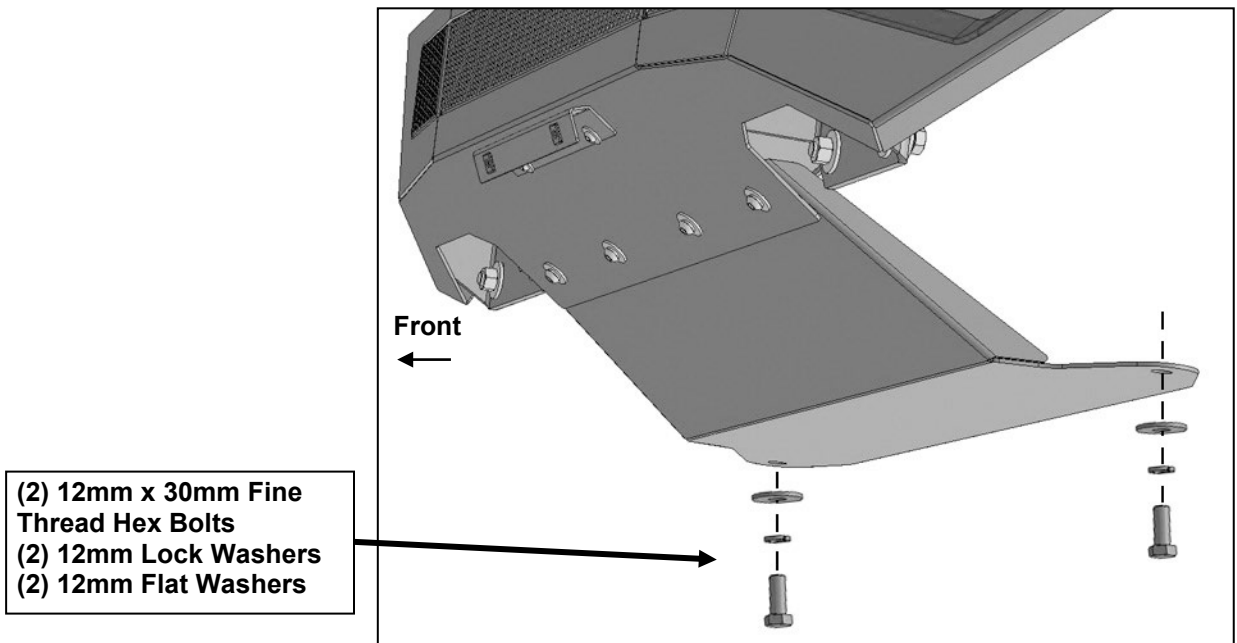
- a. Reinstall the driver/left tow hook with the mounting tab on the Skid Plate sandwiched between the tow hook and the frame, **(Figure 2)**.
- b. Reuse the factory tow hook hardware to reinstall the tow hook.
- c. Repeat the previous Steps to reinstall the passenger/right tow hook.
4. Level and adjust the Skid Plate and fully tighten all hardware.
5. Do periodic inspections to the installation to make sure that all hardware is secure and tight.

**To protect your investment**, wax this product after installing. Regular waxing is recommended to add a protective layer over the finish. Do not use any type of polish or wax that may contain abrasives that could damage the finish. Mild soap may be used to clean the Skid Plate.

**LD2 FRONT BUMPER SKID PLATE**  
**2013-18 RAM 1500, 2019 RAM 1500 "CLASSIC"**



**(Fig 1) Attach Skid Plate to back of Bumper**



**(Fig 2) Attach Skid Plate to threaded holes in bottom of frame.**  
**NOTE: Models with tow hooks, reuse factory hardware and sandwich Skid Plate between tow hook and bottom of frame.**