

2019+ DODGE RAM 1500

This RIGID A-Pillar mount is designed specifically for the 2019+ RAM 1500 and allows for a clean install of RIGID's high output LED lighting. This A-Pillar mounting kit fits a RIGID 4 Inch 360-Series, D-Series or Radiance Pods. Own The Night with RIGID's A-Pillar LED mount for your RAM 1500. All of RIGID's grilles, OE Brackets, and mounts are made with stainless steel and covered with UV and abrasion resistant powder coat to ensure years of use in the harshest conditions. Professional installation recommended.

A PILLAR MOUNT



PART NUMBER: **46717**

FITMENT DETAILS

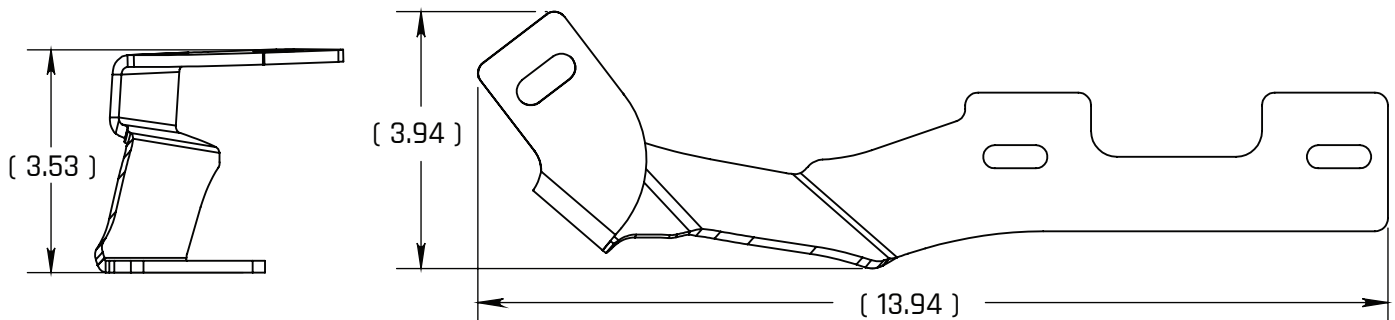
- 4 INCH 360 SERIES
- D-SERIES
- RADIANCE POD

PACKAGE WEIGHT



3 LBS

SPECIFICATIONS





2019+ DODGE RAM 2500/3500

This RIGID A-Pillar mount is designed specifically for the 2019+ RAM 2500 and RAM 3500 and allows for a clean install of RIGID's high output LED lighting. This A-Pillar mounting kit fits a RIGID 6 Inch 360-Series, D-XL Series or Adapt XP. Own The Night with RIGID's A-Pillar LED mount for your RAM 2500 or RAM 3500. All of RIGID's grilles, OE Brackets, and mounts are made with stainless steel and covered with UV and abrasion resistant powder coat to ensure years of use in the harshest conditions. Professional installation recommended.

A PILLAR MOUNT



PART NUMBER: **46719**

FITMENT DETAILS

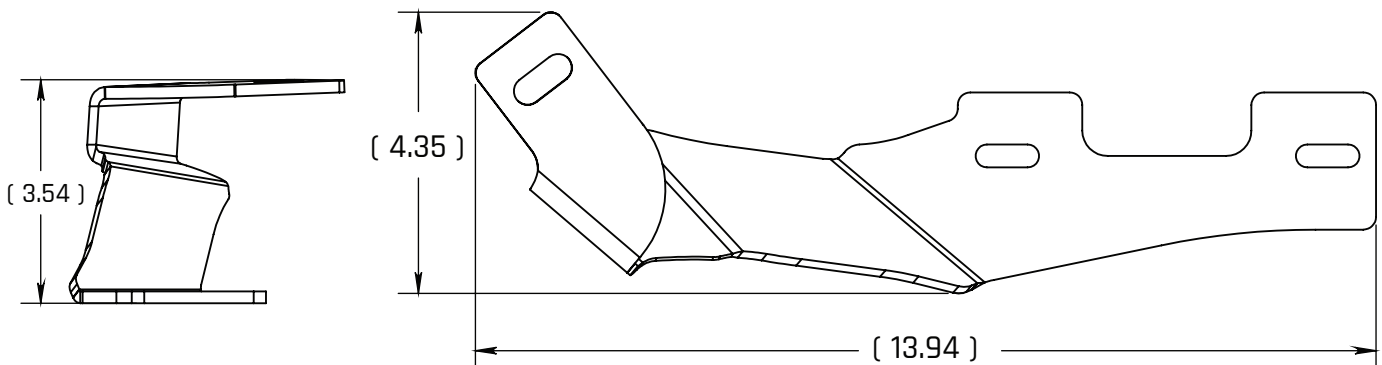
- 6 INCH 360 SERIES
- D-XL SERIES
- ADAPT XP

PACKAGE WEIGHT



3.7 LBS

SPECIFICATIONS





INSTALLATION INSTRUCTIONS

360 SERIES

PRODUCTS INCLUDE:

- (2) RIGID 360 Lights (4 or 6 inch)
- Mounting hardware



IMPORTANT

THANK YOU FOR PURCHASING RIGID INDUSTRIES' PRODUCTS FOR YOUR VEHICLE.

Please read through all of these Instructions and tips before proceeding with the installation. We do our best to provide a simple installation process for all applications however a professional installation is always recommended.

Always disconnect any power sources connected to your vehicle before servicing fuses or electrical systems.

WIRING LEADS



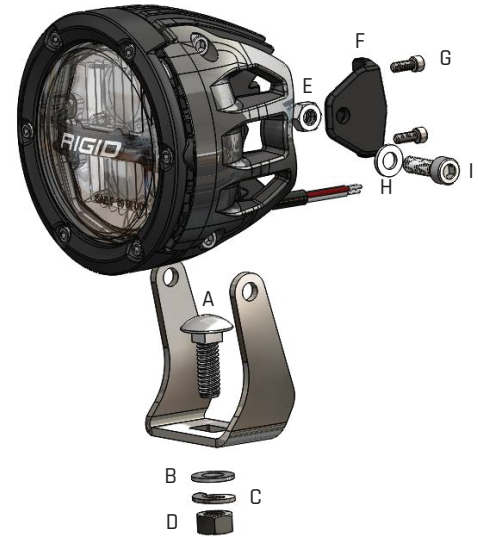
RED WIRE = PROJECTING TRIGGER

BLACK WIRE = GROUND

WHITE WIRE = BACK-LIGHTING TRIGGER

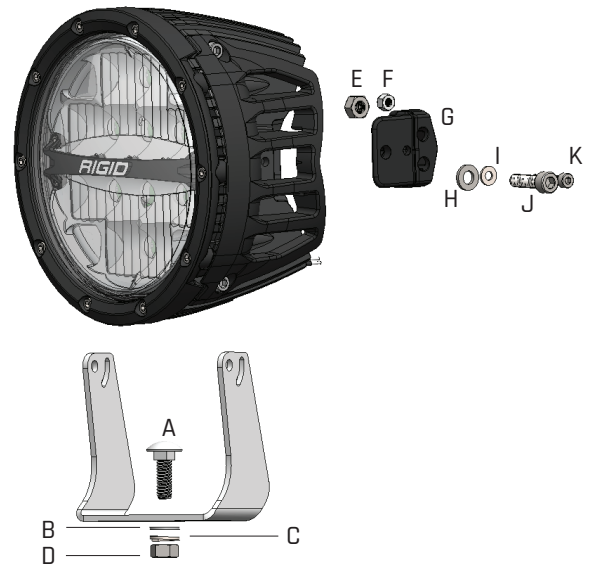
4" 360-SERIES ASSEMBLY DIAGRAM

A	M8x25mm Carriage Bolt	Place through bracket
B	M8 Flat Washer	Place on carriage bolt
C	M8 Lock Washer	Place on carriage bolt
D	M8 Nut	Tighten light to bracket
E	M6 Ny Lock Nut	Place in Heatsink
F	Mounting Bushing	Slide into Heatsink
G	6-32x.375" Socket Head	Tighten mount bushing to Heatsink
H	M6 Flat Washer	Place on item I prior to install
I	M6x22mm Socket Head	Tighten the bracket to the light (Torque 32in-lbs)



6" 360-SERIES ASSEMBLY DIAGRAM

A	M8x25mm Carriage Bolt	Place through bracket
B	M8 Flat Washer	Place on carriage bolt
C	M8 Lock Washer	Place on carriage bolt
D	M8 Nut	Tighten light to bracket
E	M6 Ny Lock Nut	Place in Heatsink
F	M4 Ny Lock Nut	Place into mounting bushing
G	Mounting Bushing	Slide into Heatsink
H	M6 Flat Washer	Place on J prior to install
I	M4 Flat Washer	Place on K prior to install
J	M6x22mm Socket Head	Tighten bracket to the light (Torque 32in-lbs)
K	M4x22m Socket Head	Tighten the bracket to the light (Torque 9in-lbs)



Wiring; Wire your lights according to the instructions included with the light. Take care to avoid any heat sources and sharp or abrasive surfaces.

Your installation is now complete.
Welcome to the Rigid Nation!

WARRANTY INFORMATION

For warranty information, visit www.rigidindustries.com/about/warranty 779 N Colorado St, Gilbert, AZ 85233 • 855-760-5337
www.rigidindustries.com

RIGID, 360-Series and Rigid Industries are registered and/or common law marks owned by JST Performance, LLC, a Delaware limited liability company d/b/a Rigid Industries.



INSTALLATION INSTRUCTIONS

A-PILLAR MOUNT KIT

PRODUCTS INCLUDE:

- (2) RIGID mounting brackets
- Mounting hardware

IMPORTANT

THANK YOU FOR PURCHASING RIGID INDUSTRIES' PRODUCTS FOR YOUR VEHICLE.

Please read through all of these Instructions and tips before proceeding with the installation. We do our best to provide a simple installation process for all applications however a professional installation is always recommended.

Always disconnect any power sources connected to your vehicle before servicing fuses or electrical systems.

STEP: 1

Install one A-Pillar bracket at a time. Open the vehicle's hood and locate the hood hinges, remove bolts from hinge using the appropriately sized socket.

Caution: Once the bolts are removed the hood will be floating on the hinge. The hood should be held in place to avoid damaging any part of the vehicle.

STEP: 2

Under the hood, attach the A-Pillar bracket to the vehicles bolts loosely.



INSTALLATION INSTRUCTIONS

STEP: 3

Gently lower hood but do not latch. Position the light mounting bracket to allow installation of the carriage bolt, washer and nut. Use a wrench to tighten the nut to secure the light to the bracket.

STEP: 4

Carefully open the hood and position the finalize bracket position and spacing. Tighten hardware to factory torque specifications using the vehicle's factory service menu. Do not over tighten.

STEP: 5

Aim lights to desired angle and repeat steps for passenger side.

Wiring; Wire your lights according to the instructions included with the light.

Take care to avoid any heat sources and sharp or abrasive surfaces.

Wiring; Wire your lights according to the instructions included with the light. Take care to avoid any heat sources and sharp or abrasive surfaces.

Your installation is now complete.
Welcome to the Rigid Nation!

WARRANTY INFORMATION

For warranty information, visit www.rigidindustries.com/about/warranty 779 N Colorado St, Gilbert, AZ 85233 • 855-760-5337
www.rigidindustries.com

RIGID, 360-Series and Rigid Industries are registered and/or common law marks owned by JST Performance, LLC, a Delaware limited liability company d/b/a Rigid Industries.

11-14024-B