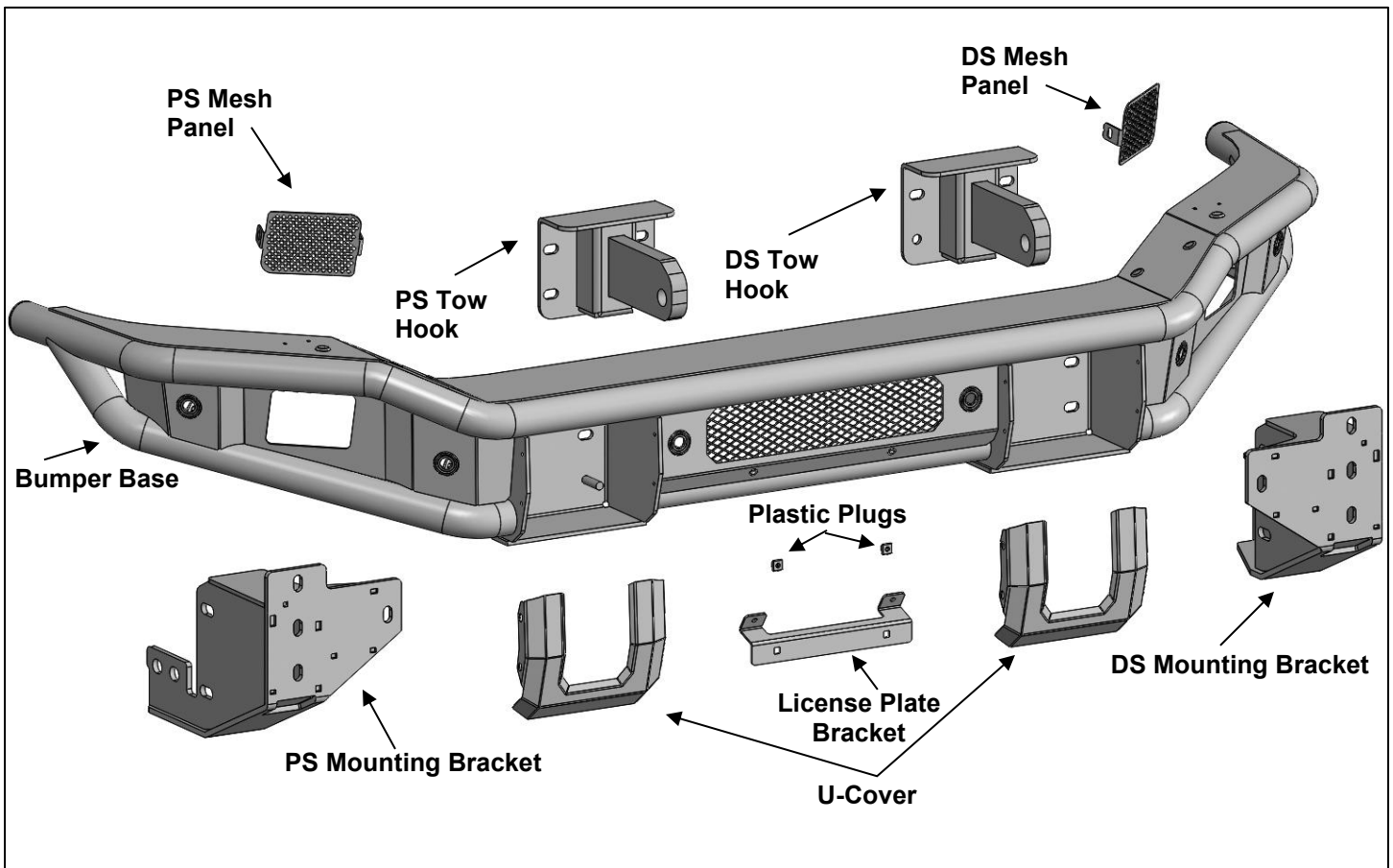


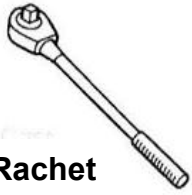
Installation Instructions

PARTS LIST:

Qty	Item Description	Qty	Item Description
1	Bumper Base	1	PS/right Fill in Mesh Panel
1	DS/Left Shackle Mount	2	12-1.75mm x 60mm Single-Bolt Plate
1	PS/Right Shackle Mount	2	12mm Nut Plate
1	DS/Left mounting bracket	6	12mm Plastic Retainers
1	PS/Right mounting bracket	2	12x40mm Bolt Plate
2	Plastic Plugs for License Plate	14	12mm Lock Washers
10	Wire Harness ties	10	12mm Hex Nut
6	D19 Anti-collision rubber stoppers	4	12-1.75mm x 60mm Hex Bolt
2	Sensor harness extension	18	12mmx32mmx3mm Flat Washers
12	Flat Head Self Tapping Screw ST4_15	4	12-1.75mm x 110mm Hex Bolts
6	15.5mm x 25mm OD x 2mm Foam Washer	4	6mm Flange Nut
6	20mm x 10mm Foam Spacers	14	6-1.00mm x 20mm Combo Bolts
6	Plastic Plug (Without sensors) (PP)	4	16mm Hex Nuts
6	Retaining Cap (PP)	4	16-2.00mm x 110mm Hex Bolts
2	U-Shaped Cover Plate	8	16mmx30mmx3mm Flat Washers
1	License plate bracket	4	16mm Lock Washers
1	DS/left Fill in Mesh Panel	1	4mm Allen Wrench



TOOLS REQUIRED



Ratchet



Sockets



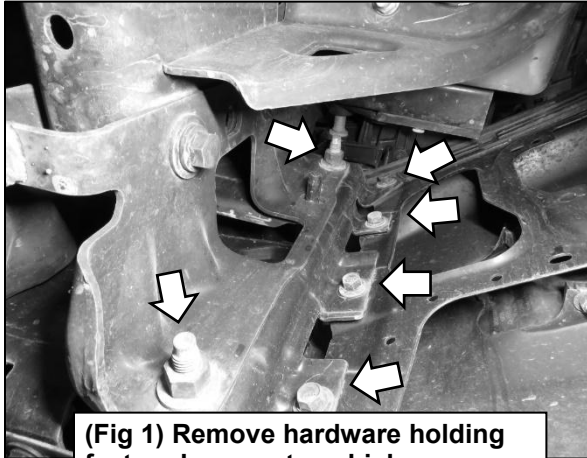
Extensions



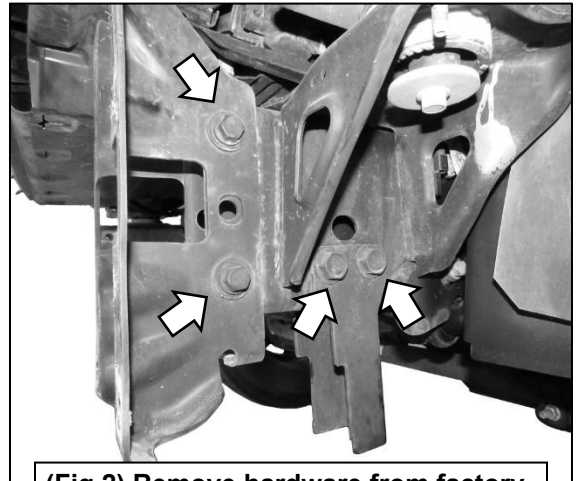
Wrench

1

Follow (Fig 1 – 3) to remove factory bumper and prepare vehicle and Bumper for HD4 Bumper installation.



(Fig 1) Remove hardware holding factory bumper to vehicle



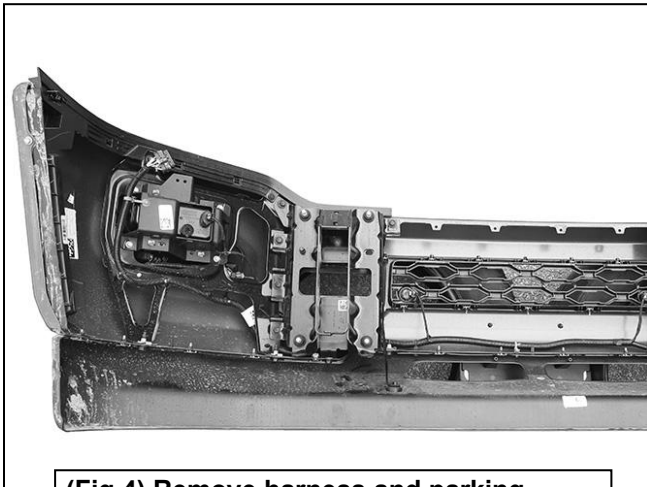
(Fig 2) Remove hardware from factory bumper to clear mounting location



(Fig 3) Mounting location for Mounting Bracket (Passenger/Right pictured)

2

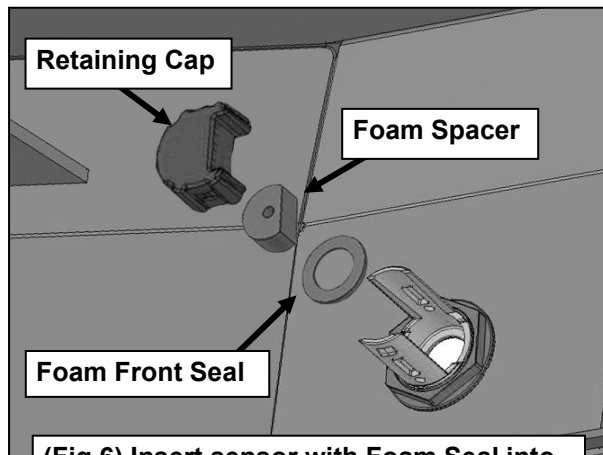
Follow (Fig 4 – 8) to attach parking sensors to vehicle if using, plastic plugs otherwise, and attach LED Lights if using, mesh covers if otherwise.



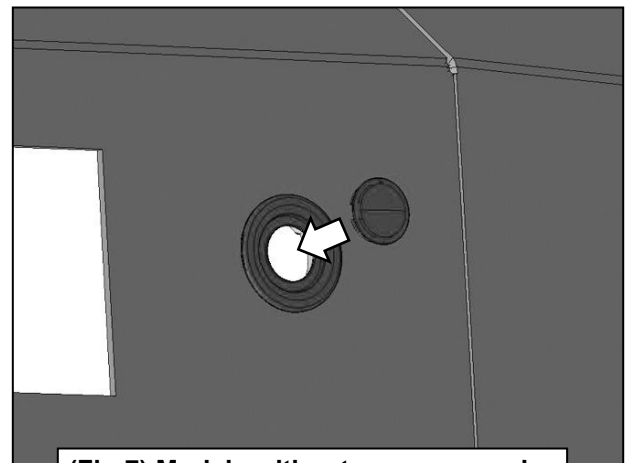
(Fig 4) Remove harness and parking sensors from factory bumper if equipped



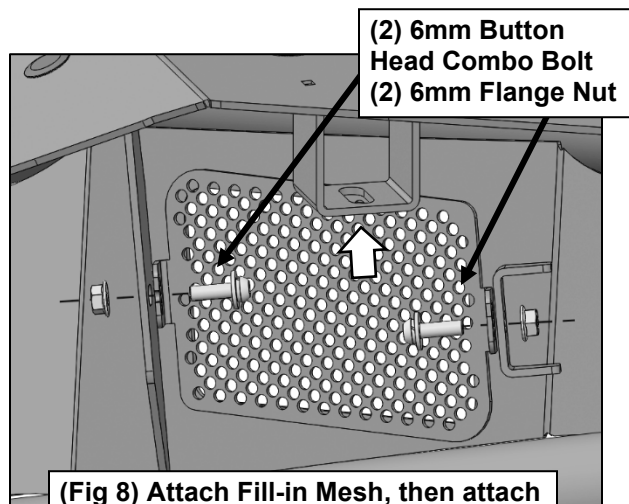
(Fig 5) Remove factory sealing washer from sensor and place (1) Foam Washer over the sensor (Inner Z-shaped sensor pictured)



(Fig 6) Insert sensor with Foam Seal into sensor Mount. Place Foam Spacer onto sensor. Snap Cap onto sensor and Mount



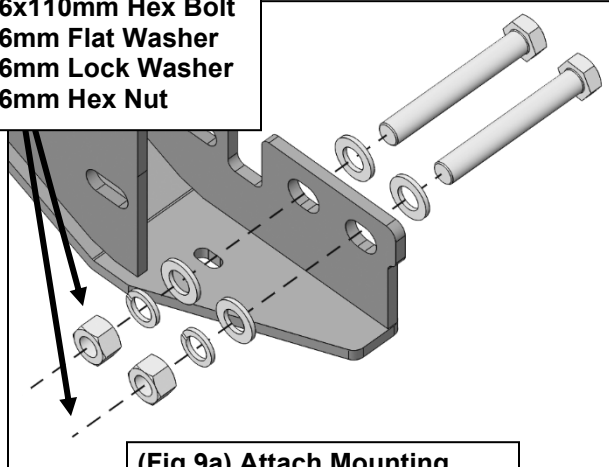
(Fig 7) Models without sensors, push Plastic Plugs into the sensor mounts



(Fig 8) Attach Fill-in Mesh, then attach LED Light Cube if using (not included)

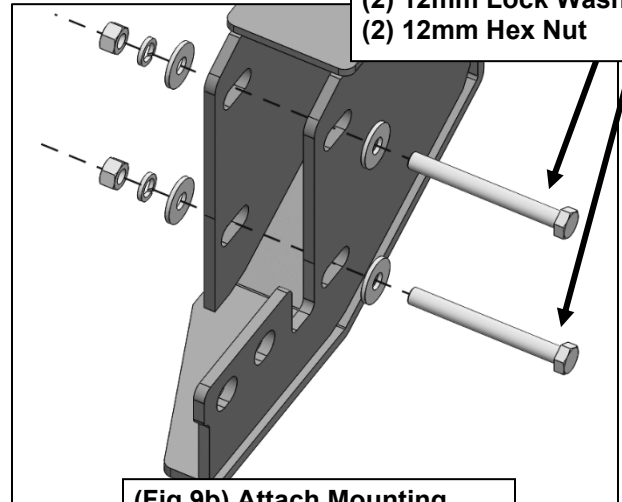
Follow (Fig 9 – 20) to install Mounting Bracket to vehicle, then attach Bumper to Mounting Bracket. Then install Tow Hook, U-cover, and License plate mount. Ensure hardware is hand tightened.

- (2) 16x110mm Hex Bolt
- (4) 16mm Flat Washer
- (2) 16mm Lock Washer
- (2) 16mm Hex Nut

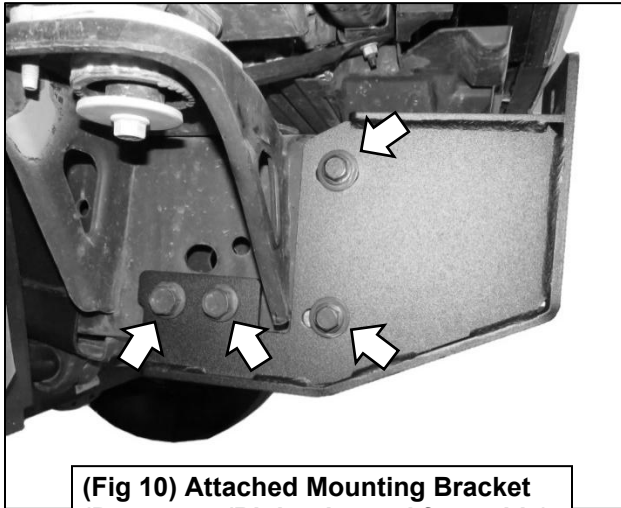


(Fig 9a) Attach Mounting Bracket to mounting location

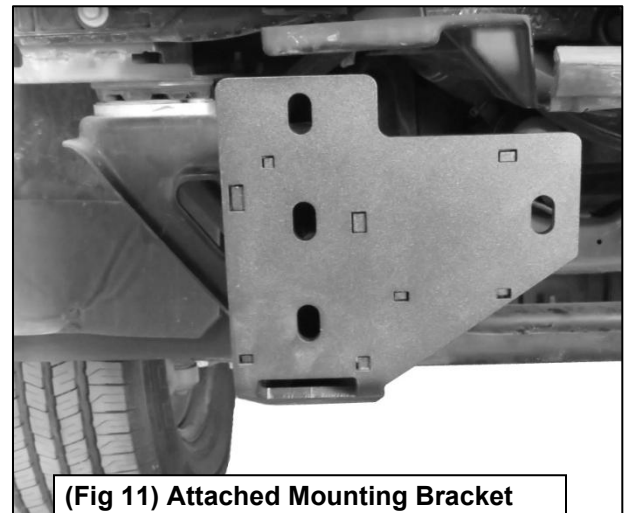
- (2) 12x110mm Hex Bolt
- (4) 12mm Flat Washer
- (2) 12mm Lock Washer
- (2) 12mm Hex Nut



(Fig 9b) Attach Mounting Bracket to mounting location

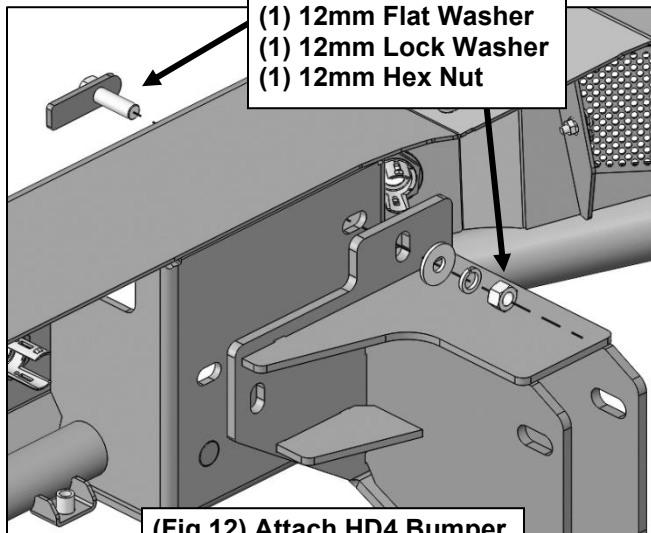


(Fig 10) Attached Mounting Bracket (Passenger/Right pictured from side)

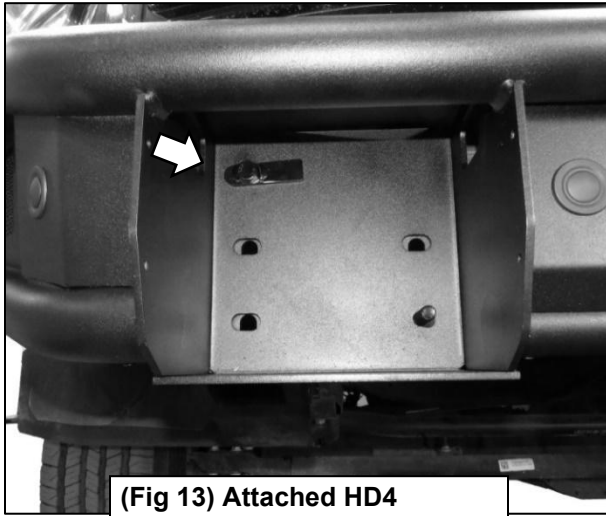


(Fig 11) Attached Mounting Bracket (Passenger/Right pictured from front)

- (1) 12x40mm Bolt Plate
- (1) 12mm Flat Washer
- (1) 12mm Lock Washer
- (1) 12mm Hex Nut



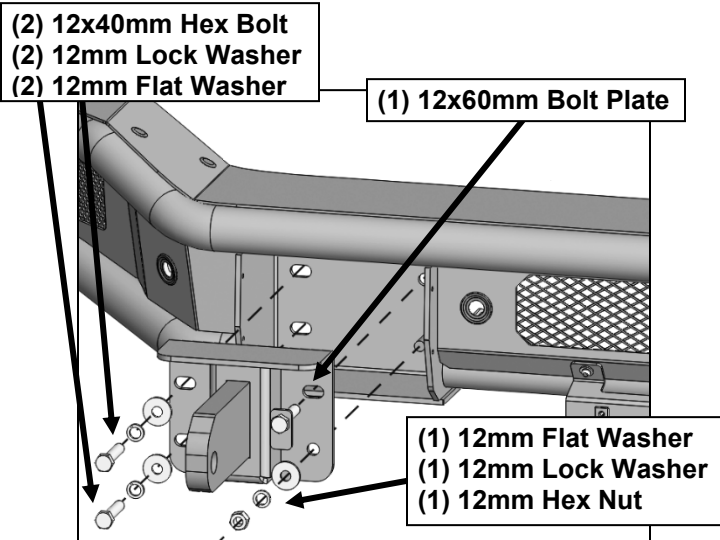
(Fig 12) Attach HD4 Bumper to Mounting Bracket



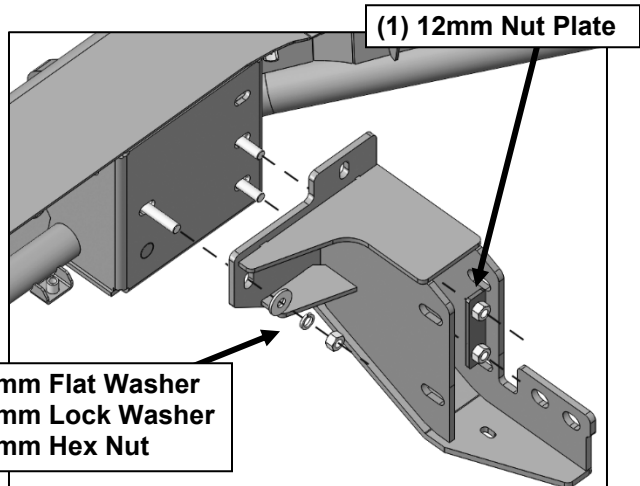
(Fig 13) Attached HD4 Bumper to Mounting Bracket



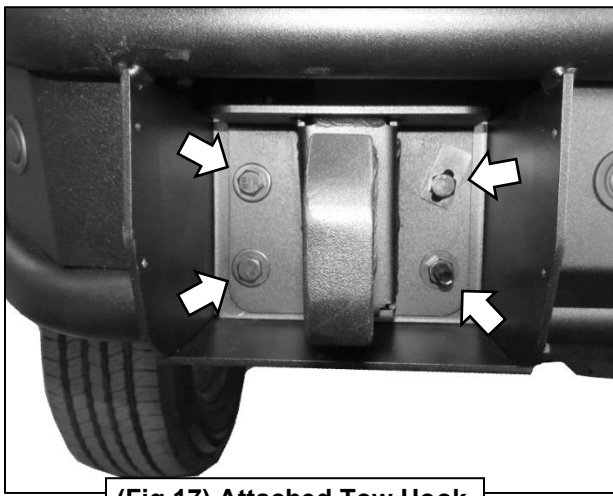
(Fig 14) Attached HD4 Bumper (pictured from behind)



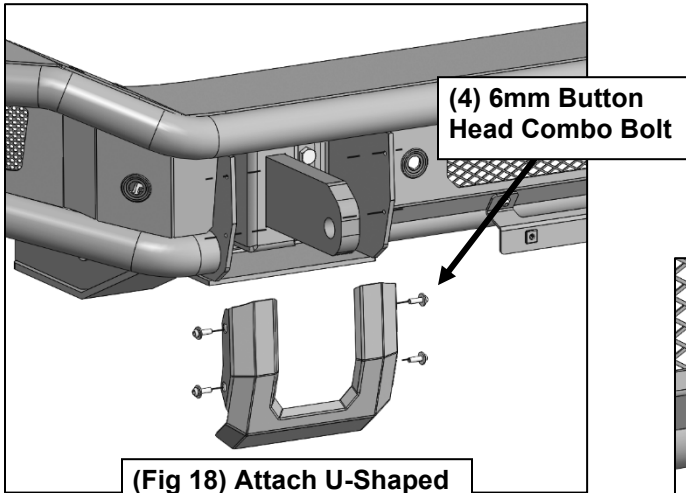
(Fig 15) Attach Tow Hook to Bumper



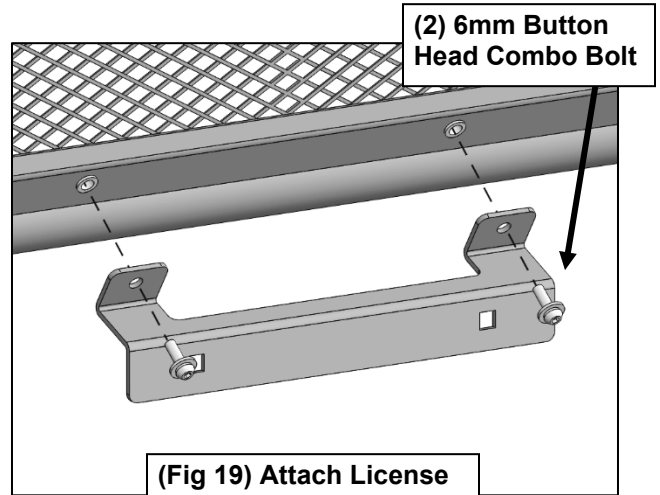
(Fig 16) Attach Tow Hook to Bumper, and through Bumper to Mounting Bracket



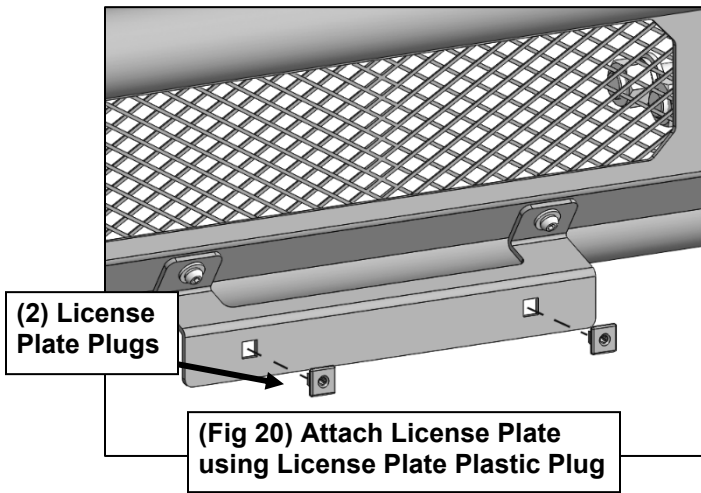
(Fig 17) Attached Tow Hook



(Fig 18) Attach U-Shaped Cover Plate to bumper



(Fig 19) Attach License Plate Bracket to Bumper



(Fig 20) Attach License Plate using License Plate Plastic Plug

4

Ensure Bumper is level and fits properly, then tighten all hardware and double check all connections. Installation is complete. Do periodic inspections to the installation to make sure that all hardware is secure and tight.



Completed Installation (BN Hoop and Skid Plate not included)