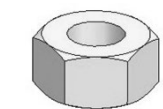
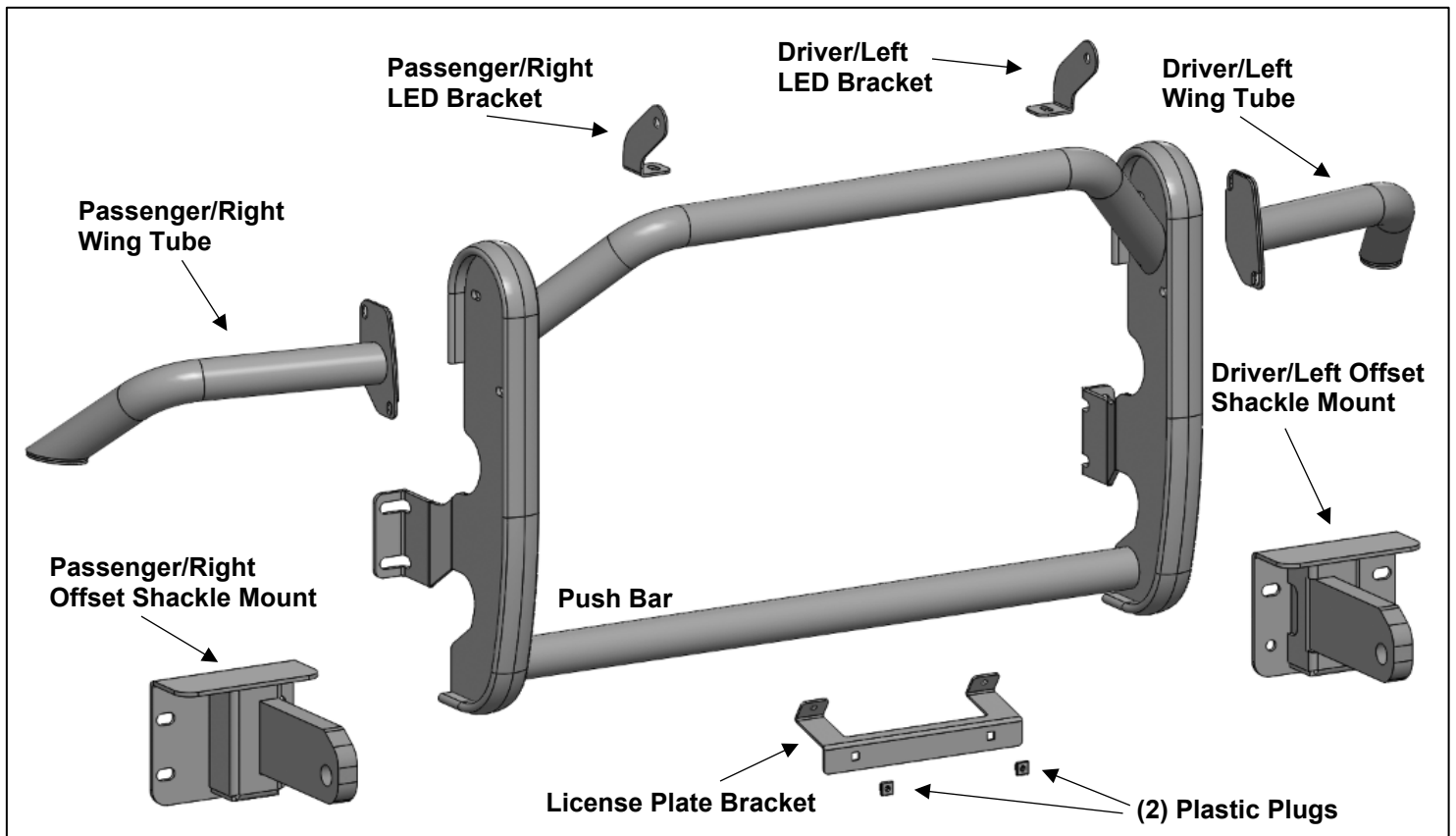


## Installation Instructions

### PARTS LIST:

Qty	Item Description	Qty	Item Description
1	Push Bar	8	12mm Lock Washers
1	PS/Right Wing tube	8	12mm Hex Nut
1	DS/Left Wing tube	2	8-1.25mm x 25mm Hex Combo Bolts
1	DS/Left Offset Shackle Mount	6	8mmx24mmx2mm Flat Washers
1	PS/Right Offset Shackle Mount	6	8mm Hex Nuts
2	Plastic Plug for License Plate	8	8mm Lock Washers
1	License Plate Bracket	2	8-1.25mmx16mm Hex Bolts
1	DS/left LED Bracket	8	8mmx16mmx1.6mm Flat Washers
1	PS/Right LED Bracket	4	8-1.25mmx25mm Button Head Allen Bolts
2	8-1.25mmx25mm Hex Bolts	2	6-1.00mm x 20mm Combo Bolts
2	12mm Single Bolt Plate	1	Allen Wrench S=4
2	12mm Double Bolt Plate	1	Allen Wrench S=5
8	12mm x 32mm x 3mm Flat Washer		



Hex Nut



Lock Washer



Flat Washer



Hex Bolt



Button Head Allen Bolt

## TOOLS REQUIRED



**Ratchet**



**Sockets**

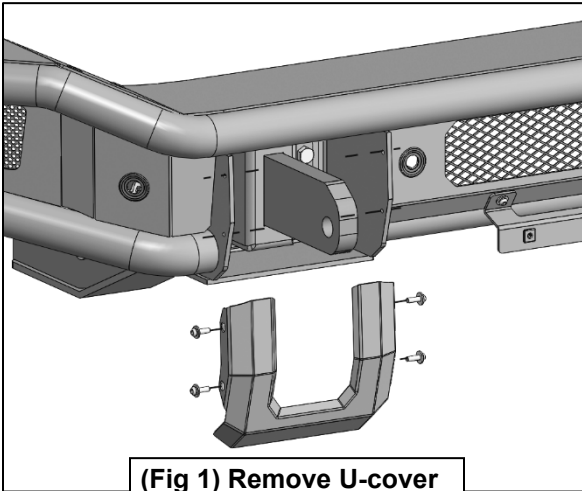


**Extensions**

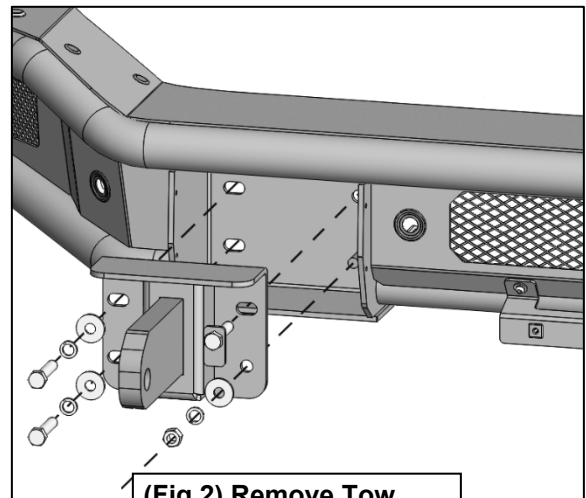


**Wrench**

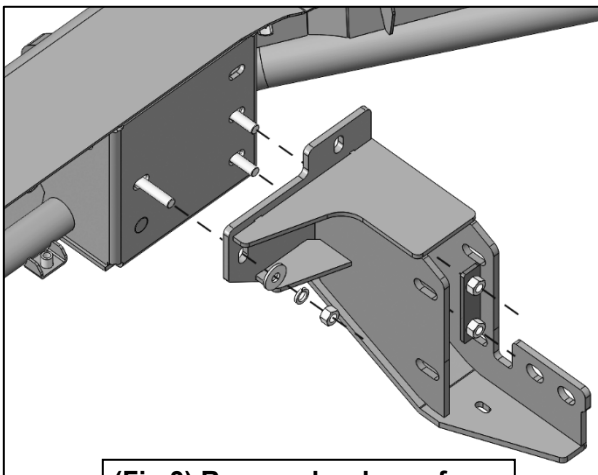
**1** Follow (Fig 1 – 4) to remove standard Shackle Mounts and prepare for Push Bar Installation.



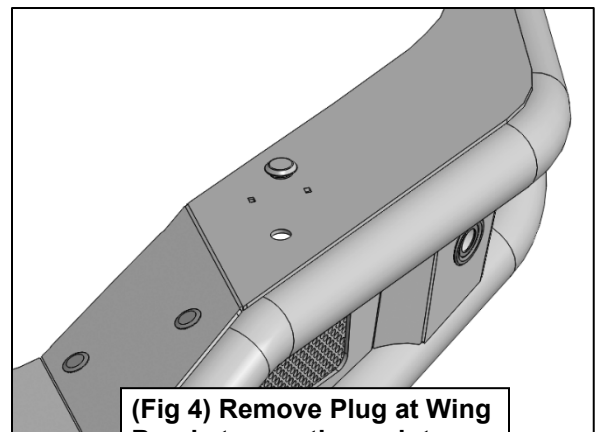
**(Fig 1) Remove U-cover Plate from HD4 Bumper**



**(Fig 2) Remove Tow Hook from HD4 Bumper**



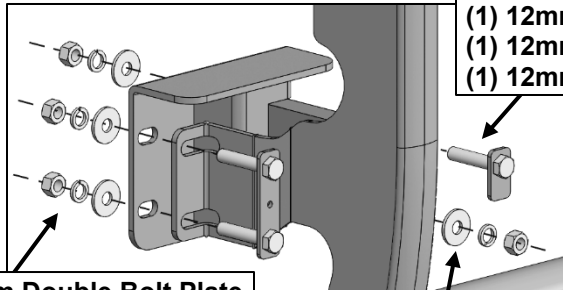
**(Fig 3) Remove hardware from behind Mounting Bracket**



**(Fig 4) Remove Plug at Wing Bracket mounting point**

2

Follow (Fig 5 – 9) to attach Brackets, then install Push Bar and connect Push Bar Wings. Ensure fasteners are hand tight at this point.

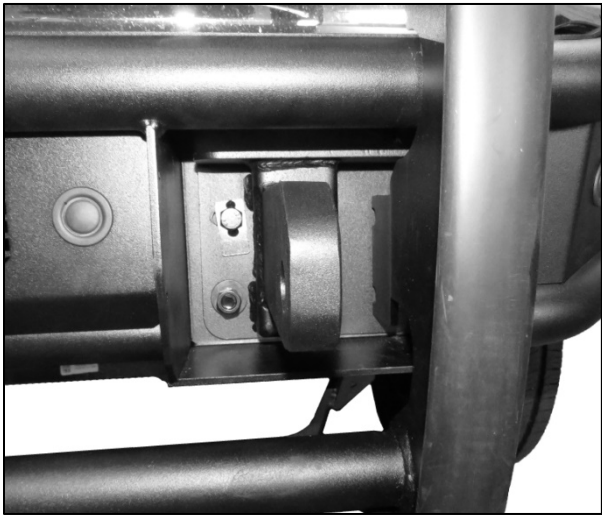


- (1) 12mm Single Bolt Plate
- (1) 12mm Flat Washer
- (1) 12mm Lock Washer
- (1) 12mm Hex Nut

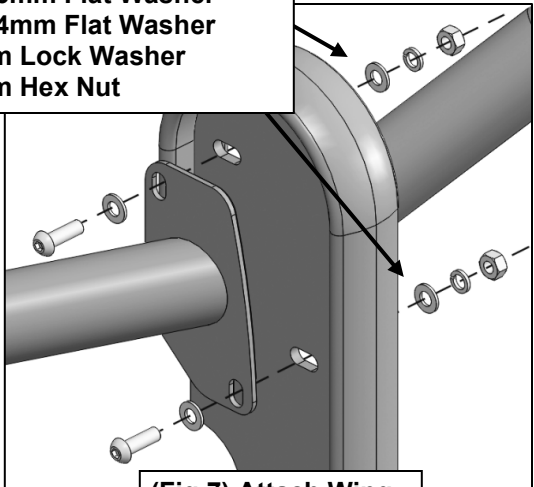
- (1) 12mm Double Bolt Plate
- (2) 12mm Flat Washer
- (2) 12mm Lock Washer
- (2) 12mm Hex Nut

- (1) 12mm Hex Nut
- (1) 12mm Lock Washer
- (1) 12mm Flat Washer

(Fig 5) Reuse hardware to attach Offset Tow Hook and Push Bar to Bumper

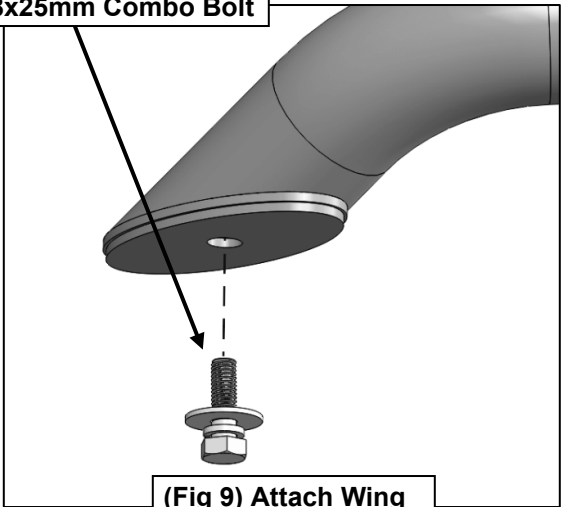


- (2) 8mm Button Head Bolt
- (2) 8x16mm Flat Washer
- (2) 8x24mm Flat Washer
- (2) 8mm Lock Washer
- (2) 8mm Hex Nut



(Fig 7) Attach Wing Tube to Push Bar

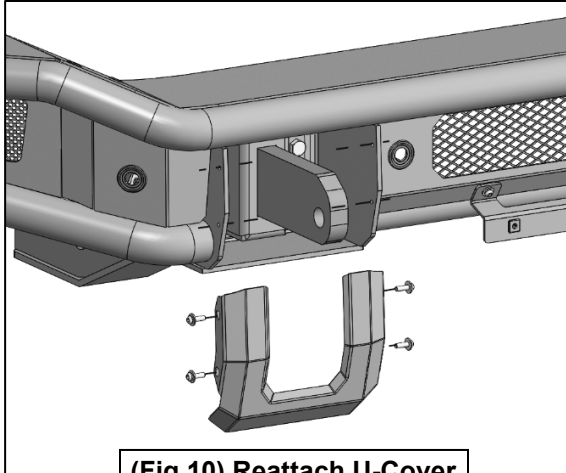
- (1) 8x25mm Combo Bolt



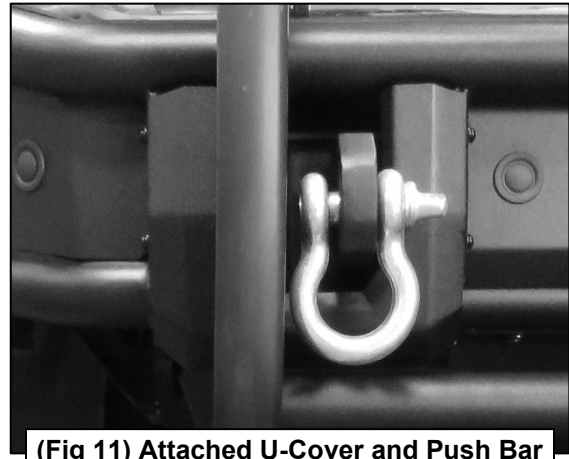
(Fig 9) Attach Wing Bracket to Bumper

**3**

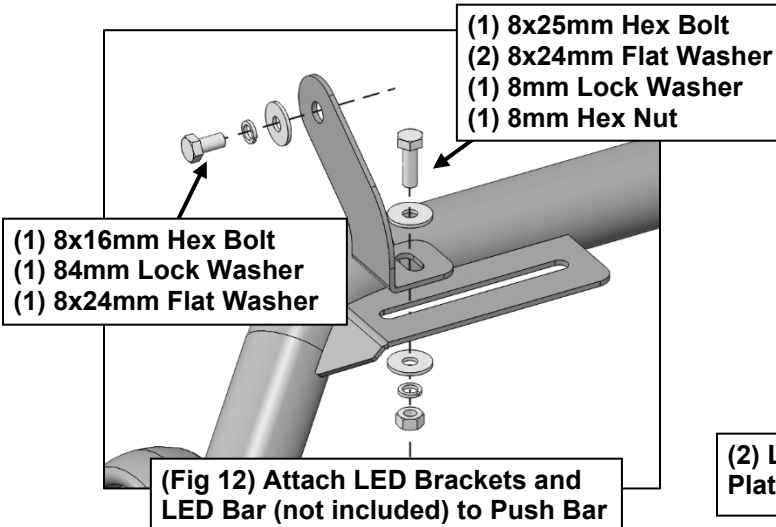
Follow (Fig 10 – 13) to reattach U-covers and attach LED Brackets with LED Bar (not included). Ensure all fasteners are hand tightened at this point.



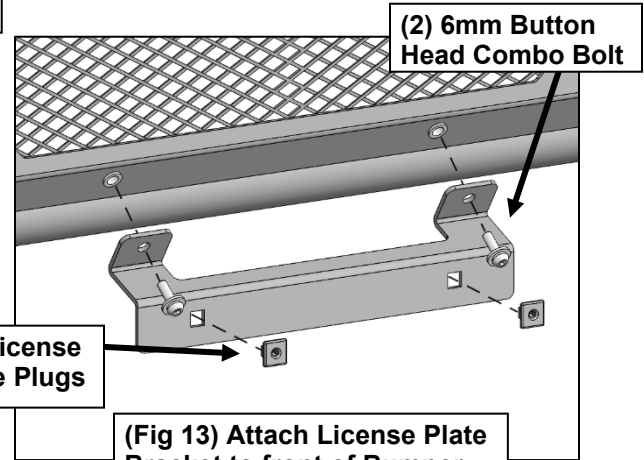
(Fig 10) Reattach U-Cover



(Fig 11) Attached U-Cover and Push Bar



(Fig 12) Attach LED Brackets and LED Bar (not included) to Push Bar



(Fig 13) Attach License Plate Bracket to front of Bumper

**4**

Ensure Push Bar is level and properly fit, then tighten all fasteners. Installation is complete. Do periodic inspections to the installation to make sure that all hardware is secure and tight.



Completed Installation  
(Light Bar not included)