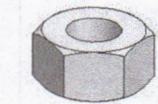
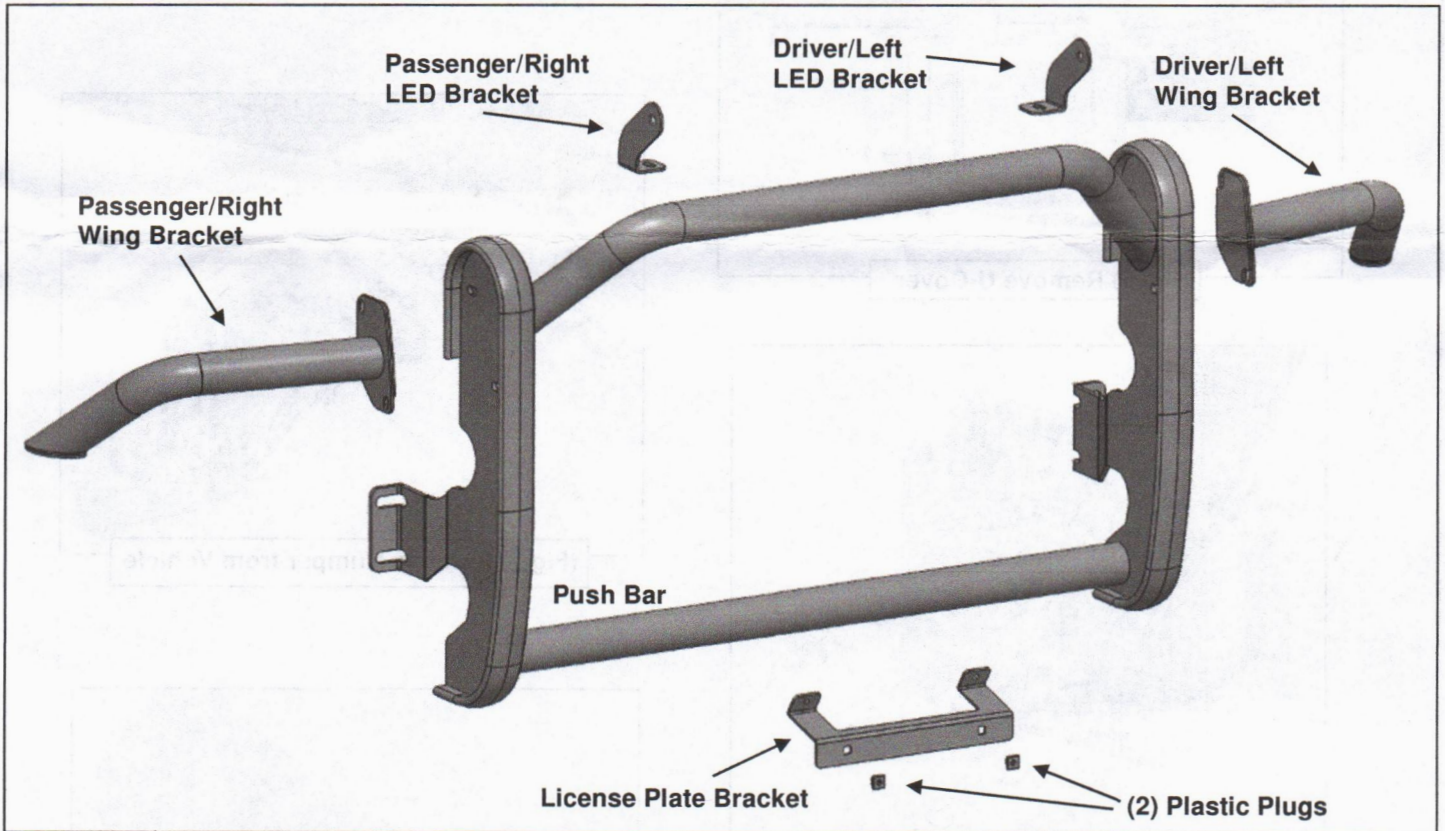


Installation Instructions

PARTS LIST: HR61445

Qty	Item Description	Qty	Item Description
1	HD4 HD Push Bar	8	12mm Hex Nuts
1	Driver/left Wing Bracket	4	8-1.25mm x 25mm Button Head Bolts
1	Passenger/right Wing Bracket	2	8-1.25mm x 25mm Hex Combo Bolts
1	Driver/left "L" Light Bracket	2	8-1.25mm x 25mm Hex Bolts
1	Passenger/right "L" Light Bracket	2	8-1.25mm x 16mm Hex Bolts
1	PB License Plate Bracket	6	8mm x 24mm x 2mm STD Flat Washers
2	License Plate Plastic Plugs	8	8mm x 16mm x 1.6mm Small Flat Washers
2	M12 Double Bolt Plates	8	8mm Lock Washers
2	M12 Single Bolt Plates	6	8mm Hex Nuts
8	12-1.75mm x 60mm Hex Bolts	2	6-1.0mm x 20mm Button Head Combo Bolts
8	12mm x 32mm x 3mm Flat Washers	1	5mm Wrench
2	12mm x 24mm x 2.5mm Flat Washers	1	4mm Wrench
8	12mm Lock Washers		



Hex Nut



Lock Washer



Flat Washer

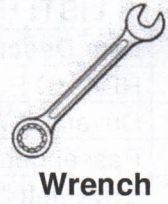
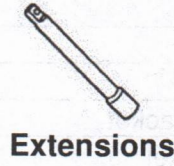


Hex Bolt

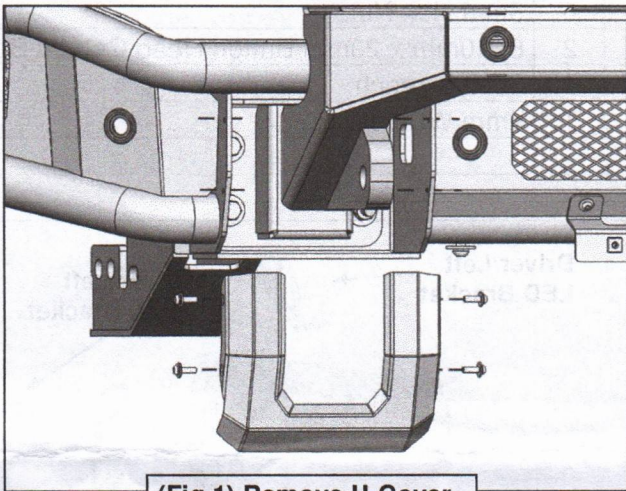


Button Head Allen Bolt

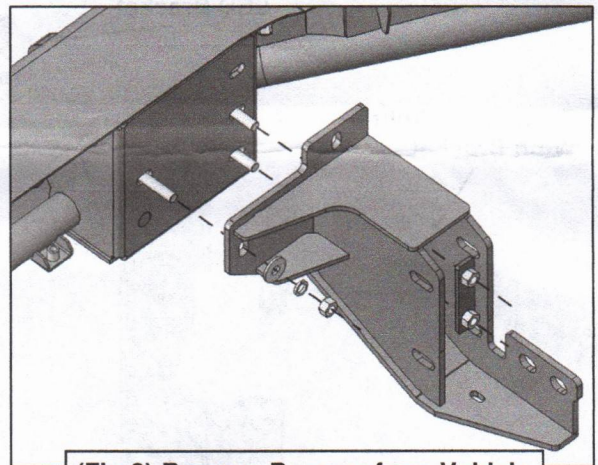
TOOLS REQUIRED



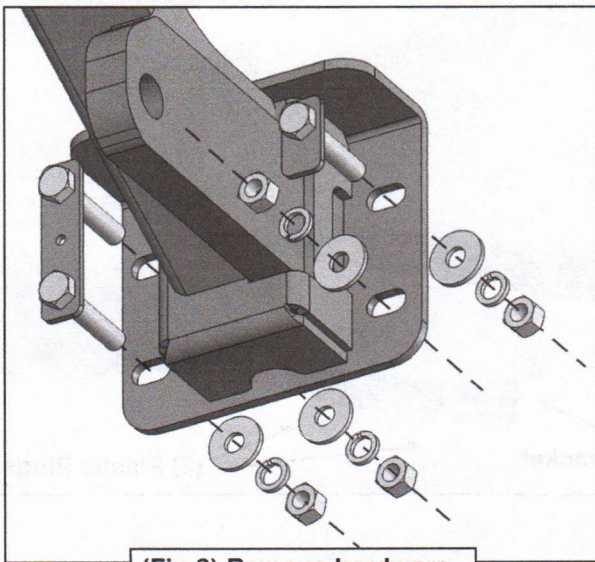
1 Follow (Fig 1 – 4) to remove hardware from Winch Tray to prepare for Push Bar Installation.



(Fig 1) Remove U-Cover



(Fig 2) Remove Bumper from Vehicle



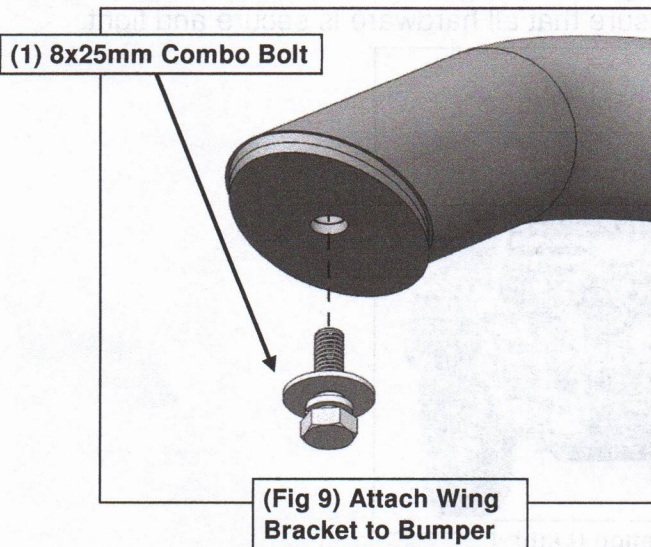
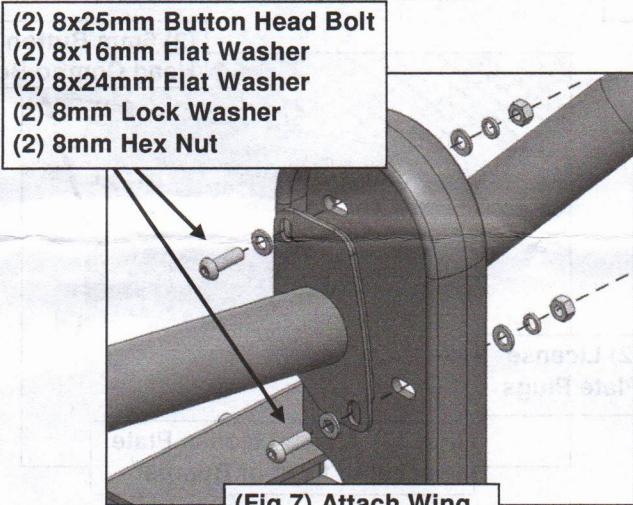
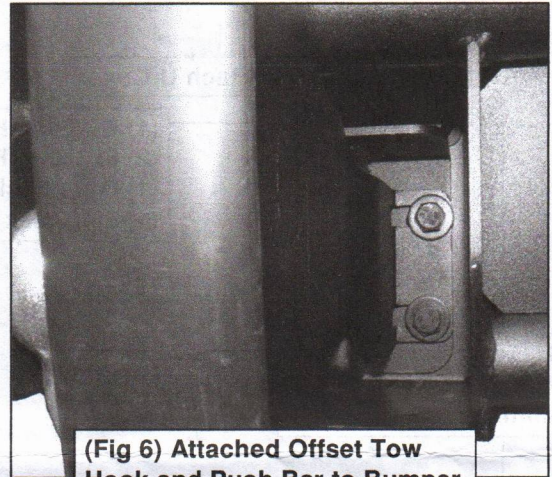
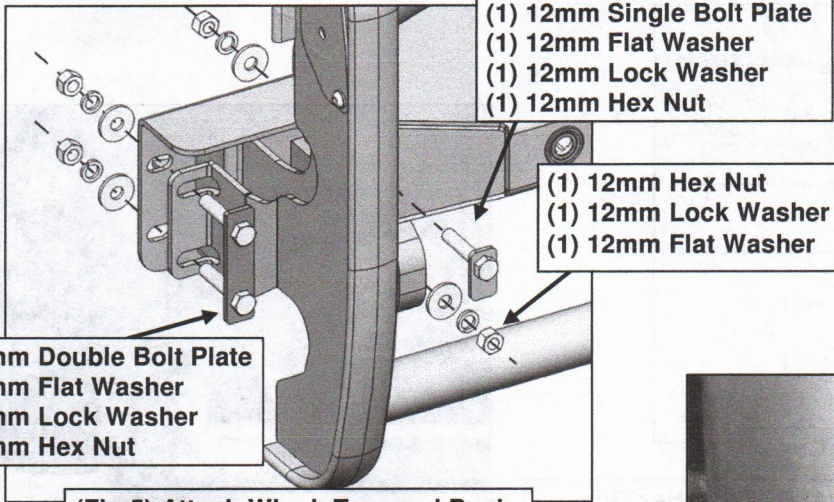
(Fig 3) Remove hardware on outside of Winch Tray



(Fig 4) Remove Plug at Wing Bracket mounting point

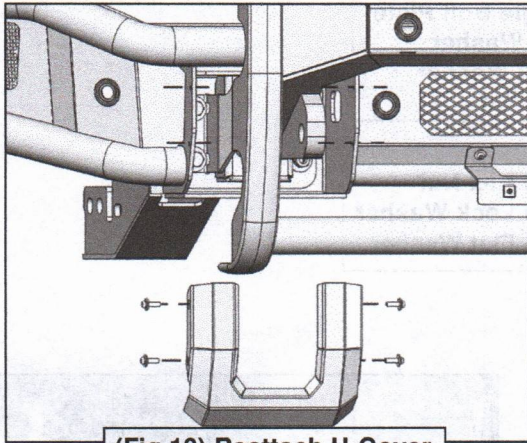
2

Follow (Fig 5 – 9) to attach Brackets, then install Push Bar and connect Push Bar Wings. Ensure fasteners are hand tight at this point.

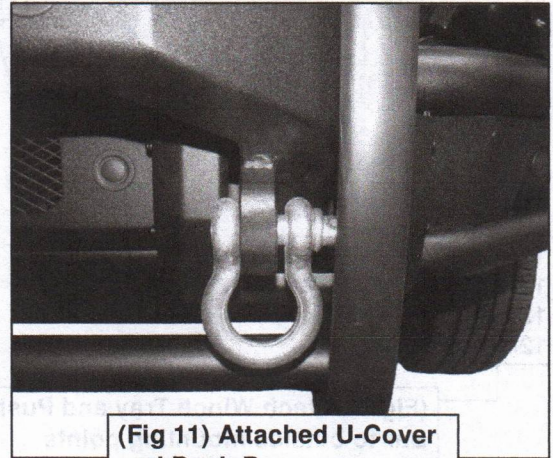


3

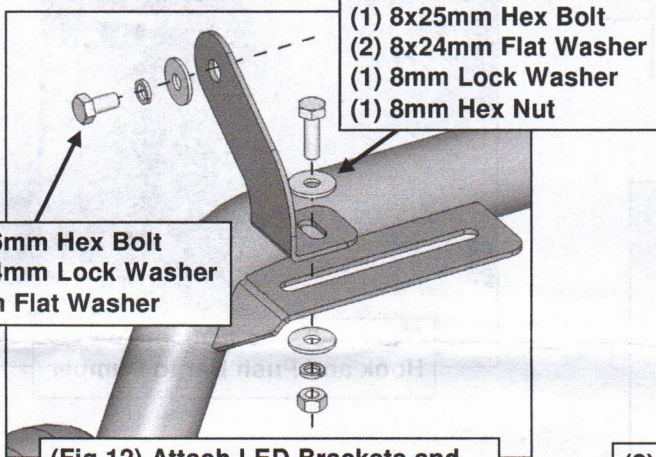
Follow (Fig 10 – 13) to reattach U-cover, then attach LED Brackets with LED Bar (not included). Ensure all fasteners are hand tightened at this point.



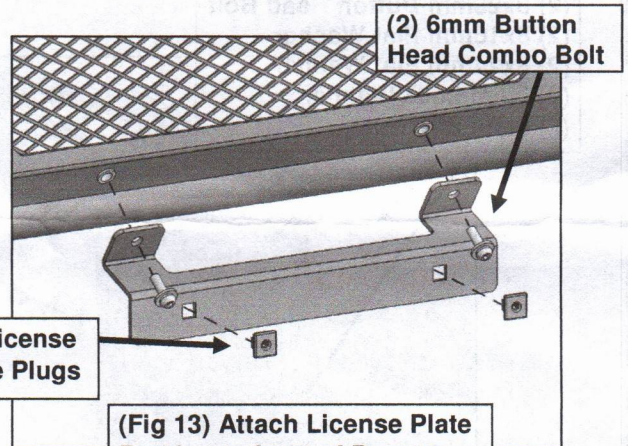
(Fig 10) Reattach U-Cover



(Fig 11) Attached U-Cover and Push Bar



(Fig 12) Attach LED Brackets and LED Bar (not included) to Push Bar



(Fig 13) Attach License Plate Bracket to front of Bumper

4

Ensure Push Bar is level and properly fit, then tighten all fasteners. Installation is complete. Do periodic inspections to the installation to make sure that all hardware is secure and tight.



Completed Installation (Light Bar and Winch not included)