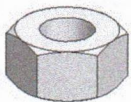
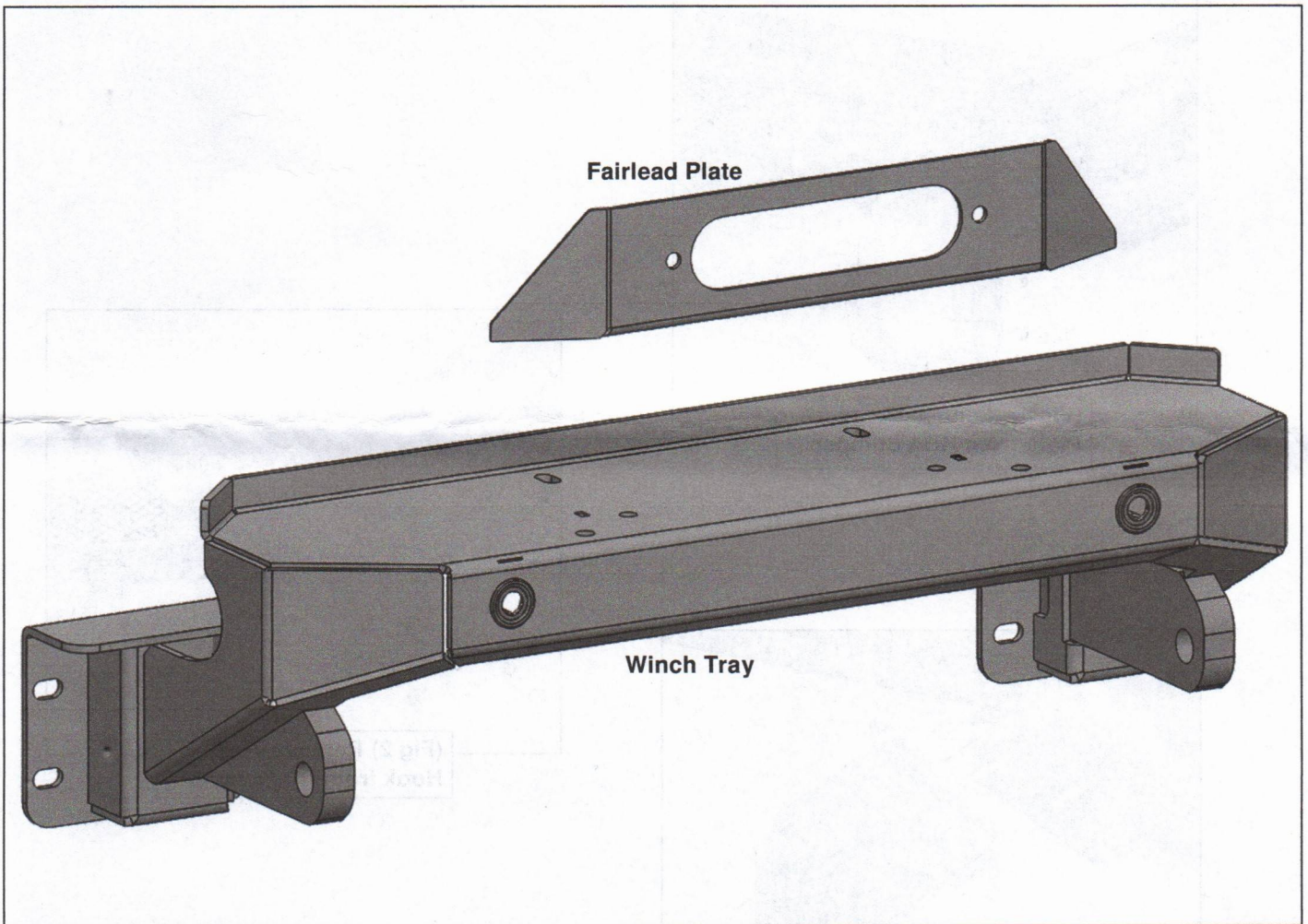


**Installation Instructions**

**PARTS LIST: R182151 ; HR61448**

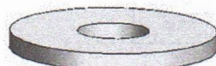
Qty	Item Description	Qty	Item Description
1	Winch Tray	2	12mm Single Bolt Plate
1	Fairlead bracket	8	12mm Hex Nuts
4	Self-Tapping Screws	8	12mm Lock washers
2	15.5mm x 25mm OD x 2mm Foam Washers	8	12mm x 32mm OD x 3mm Flat washers
2	20mm x 10mm Foam Spacers	2	8-1.25mm x 25mm Button Head Allen Bolts
2	Sensor Hole Plugs	2	8mm Hex Lock Nuts
2	Sensor Retainer Caps	4	8mmx24mmx2mm Flat Washers
2	12mm Double Bolt Plate	1	Allen Wrench S=5



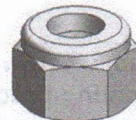
Hex Nut



Lock Washer



Flat Washer

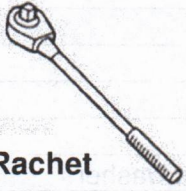


Nylon Lock Nut



Button Head Bolt

## TOOLS REQUIRED



Ratchet



Socket

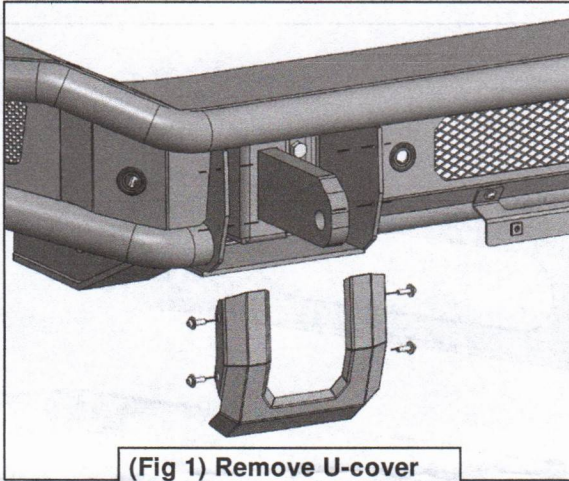


Extensions

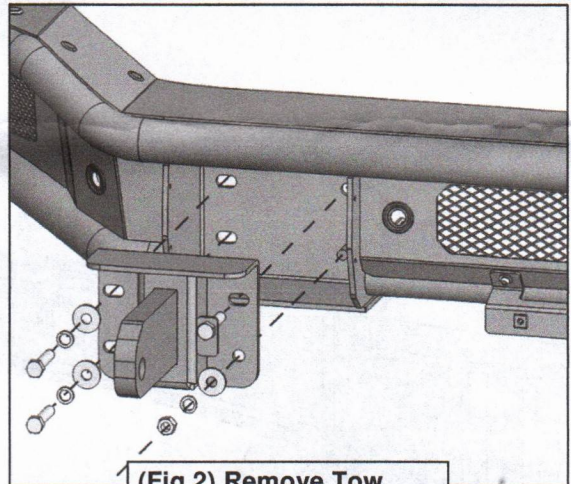


Wrench

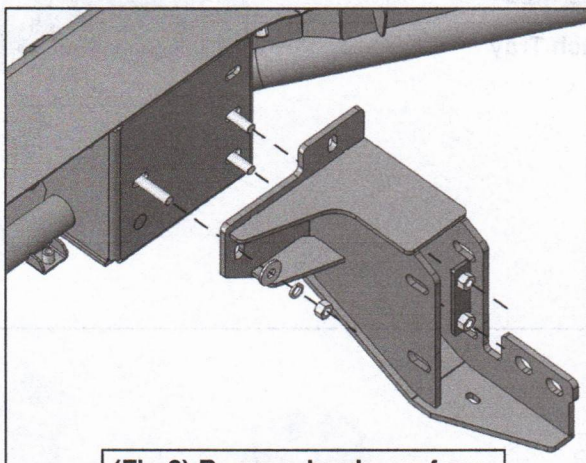
- 1 Follow (Fig 1 – 3) to remove Shackle Mounts to prepare vehicle for HD Bumper installation.



(Fig 1) Remove U-cover Plate from HD4 Bumper



(Fig 2) Remove Tow Hook from HD4 Bumper

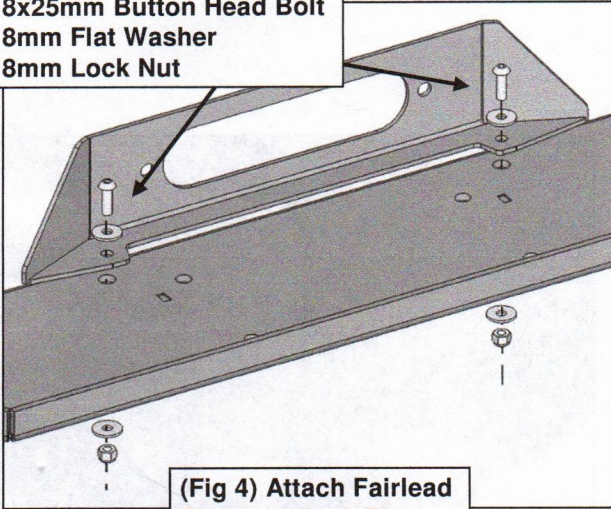


(Fig 3) Remove hardware from behind Mounting Bracket

2

Follow (Fig 4 – 7) to assemble and attach Fairlead Plate, then connect Winch Tray to HD4 Bumper.

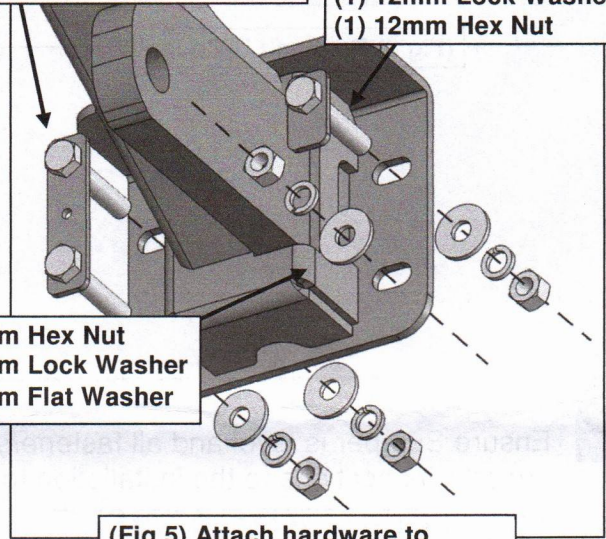
- (2) 8x25mm Button Head Bolt
- (4) 8mm Flat Washer
- (2) 8mm Lock Nut



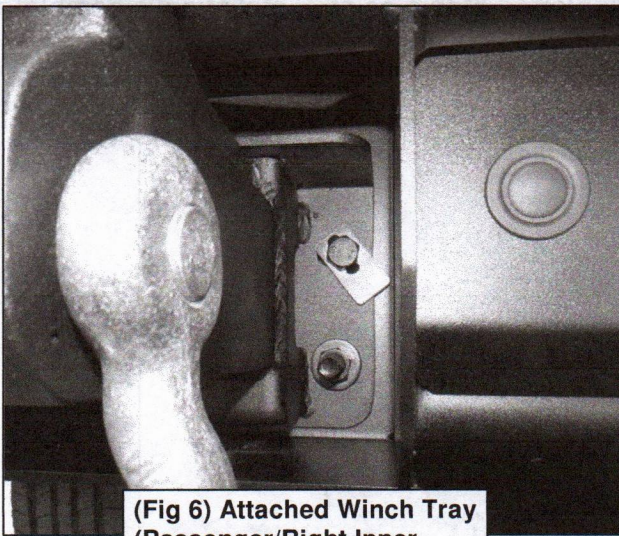
(Fig 4) Attach Fairlead Plate to Winch Tray

- (1) 12mm Double Bolt Plate
- (2) 12mm Flat Washer
- (2) 12mm Lock Washer
- (2) 12mm Hex Nut

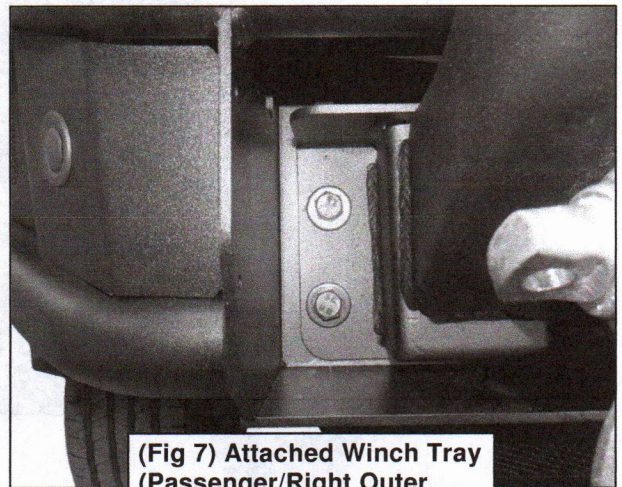
- (1) 12mm Single Bolt Plate
- (1) 12mm Flat Washer
- (1) 12mm Lock Washer
- (1) 12mm Hex Nut



(Fig 5) Attach hardware to connect Winch Tray to Bumper

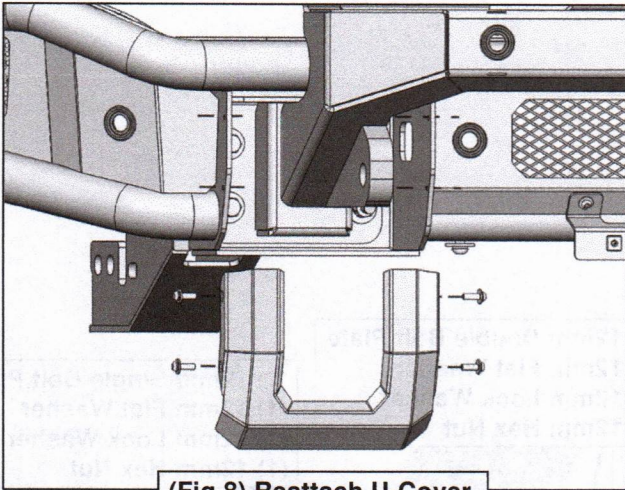


(Fig 6) Attached Winch Tray (Passenger/Right Inner mounting area pictured)

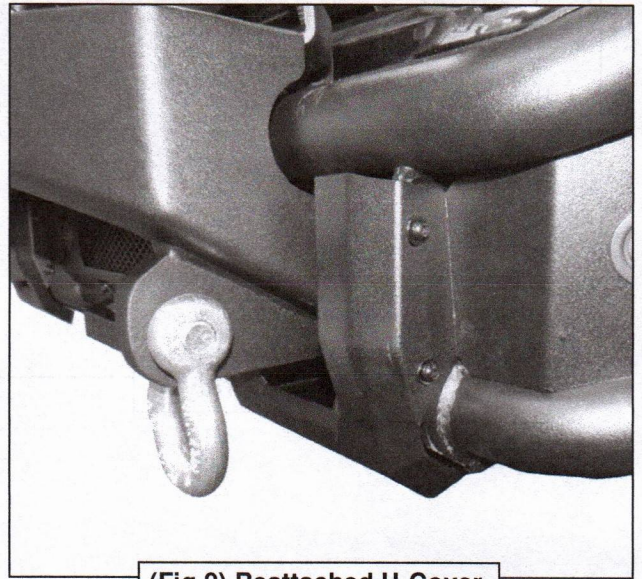


(Fig 7) Attached Winch Tray (Passenger/Right Outer mounting area pictured)

**3** Follow (Fig 8 – 9) to reattach bumper to Support Brackets, then reattach U-Covers.



(Fig 8) Reattach U-Cover



(Fig 9) Reattached U-Cover

**4** Ensure Bumper is level and all fasteners are tightened at this point. Installation is complete. Do periodic inspections to the installation to make sure that all hardware is secure and tight.



Complete Installation (BN Hoop, Lights, and Skid Plate not included)