



HD MODULAR FRONT BUMPER

(2019-2024+ 2500 / 3500)

INSTALLATION INSTRUCTIONS

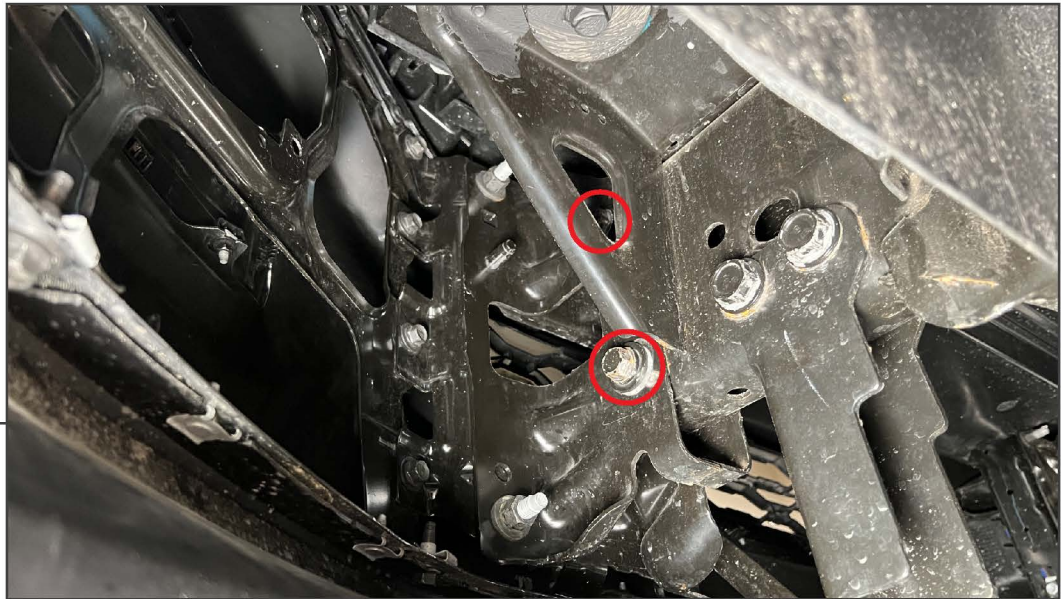
CONTENTS

(1) Front Bumper	(6) M12x1.75 x 120mm Bolts
(1) LH Bumper End Cap	(6) M12 Lock Washers
(1) RH Bumper End Cap	(12) M12 Flat Washers
(2) Bumper Mounting Adapter Brackets	(6) M12 Nuts
(2) M14 Reinforcement Plates	(16) M10x1.50 x 30mm Bolts
(2) LH/RH LED Light Enclosures	(4) M10 Lock Washers
(2) LH/RH Mesh Panels	(28) M10 Flat Washers
(1) Center Mesh Panel	(12) M10 Lock Nuts
(1) License Plate Bracket w/ Screw Inserts	(2) M8x1.25 x 25mm Bolts
(2) 1.5mm Shims	(2) M8x1.25 x 16mm Bolts
(2) 2.5mm Shims	(4) M8 Lock Washers
(1) LED Lighting Kit	(6) M8 Flat Washers
(1) LED Light "L" Brackets	(2) M8 Nuts
(6) Proximity Sensor Install Kits	(2) M6x1.00 x 20mm Allen Bolts
(4) M14x2.00 x 110mm Bolts	(14) M6x1.00 x 20mm Allen Combo Bolts
(8) M14 Flat Washers	(4) M6 Flat Washers
(4) M14 Lock Nuts	(2) M6 Lock Nuts
	(10) M6 Flange Nuts

TOOLS REQUIRED

10-21mm Sockets/Ratchet
Panel Removal Tool
Razor Knife
4-5mm Allen Key (Provided)

SKU # HR66159

**STEP 1**

From under the vehicle, locate the bumper mounting points on the front frame rails.
-If equipped with front bumper proximity sensors / fog lights, unplug the electrical harness along the frame.
-If equipped with OEM tow hooks, remove the (2) bolts securing the tow hooks to the frame.

On each side of the vehicle, remove (2) 18mm bolts/nuts from the bumper assembly. Only leave the lowest bolt in place at this time to hold the bumper into place.

**STEP 2**

With a helper, pull away and lower the front bumper from the vehicle, and remove (4) plastic push clips from the splash shield attached to the front of the bumper. Ensure the wheel well liners are away from the bumper, and remove the bumper from the vehicle.

If equipped with front bumper proximity sensors place the bumper on a workable surface for disassembly at a later time.

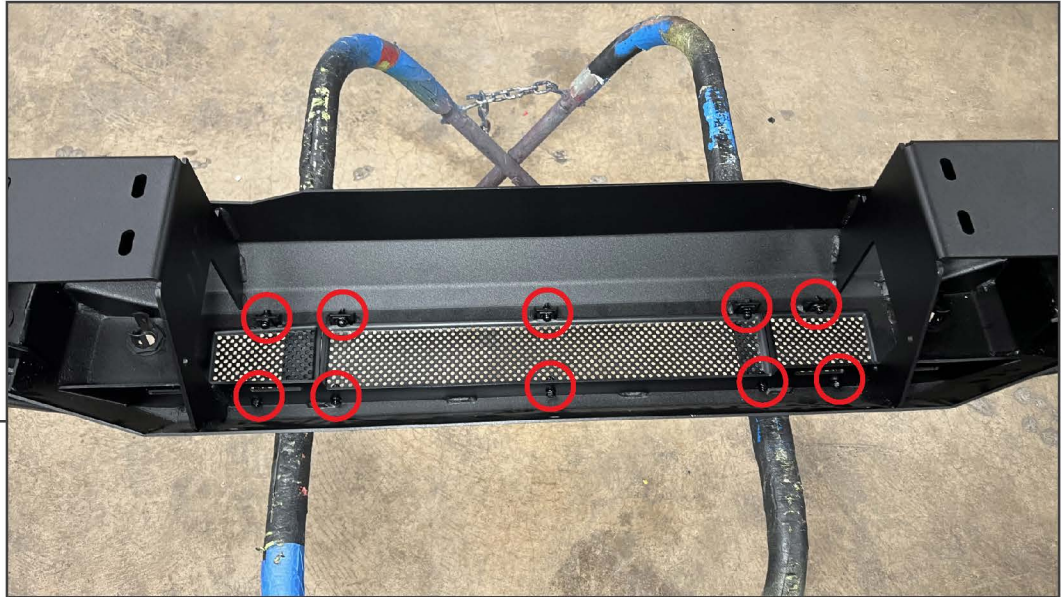
STEP 3

Place the bumper on a workable surface. Mount each end cap to the bumper using (4) M10 x 30mm bolts, (2) M10 lock washers, (6) M10 flat washers, and (2) M10 lock nuts.

STEP 4

Secure the LH and RH LED light enclosures to the bumper using (2) M6 x 20mm combo Allen bolts into the threaded inserts pre-installed in the bumper end caps.

Assemble the LED light brackets to the LED lights using (2) M6 x 12mm cap Allen bolts and (2) M6 lock washers. Then, secure the included LED lights to each enclosure using (1) M8 x 25mm hex bolt, (1) M8 lock washer, (1) M8 flat washer, and (1) M8 nut included in the lighting kit.

**STEP 5**

Secure the LH, RH, and Center mesh panels to the bumper using (10) M6 x 20mm combo Allen bolts and (10) M6 flange nuts.

Note: Installing a light bar can be used instead of the grille panels using the included M8 hardware and “L” brackets. Light bar sold separately, SKU # T542547 [20”] OR T542548 [30”].

“L” Brackets: (2) M8 x 25mm Bolts, (2) M8 Lock Washers, (4) M8 Flat Washers, (2) M8 Nuts
Light Bar to “L” Brackets: (2) M8 x 16mm Bolts, (2) M8 Lock Washers, (2) M8 Flat Washers

**STEP 6**

If desired, secure the front license plate mounting bracket to the bottom of the bumper using (2) M6 x 20mm Allen bolts, (4) M6 flat washers, and (2) M6 lock nuts. Then, fit the (2) square plastic screw retainers into the square holes in the bracket.

Use OEM license plate screws to secure the license plate to the bracket.

**STEP 7**

Proximity Sensors: Remove the OEM silicone gasket from the end proximity sensor. Then, install the included foam gasket onto the face of the sensor.

Vehicles without Proximity sensors, Skip to Step 11.

**STEP 8**

Sensor Mounting Option 1: Place the sensor into the designated port, ensuring the mounting tabs are within the slots. Adhere (1) rubber grommet to the sensor using the attached adhesive. Place (1) foam pad onto the rubber grommet. Place the (1) plastic cap onto the assembly, ensuring the (2) tabs lock into place to secure the sensor tightly to the port.

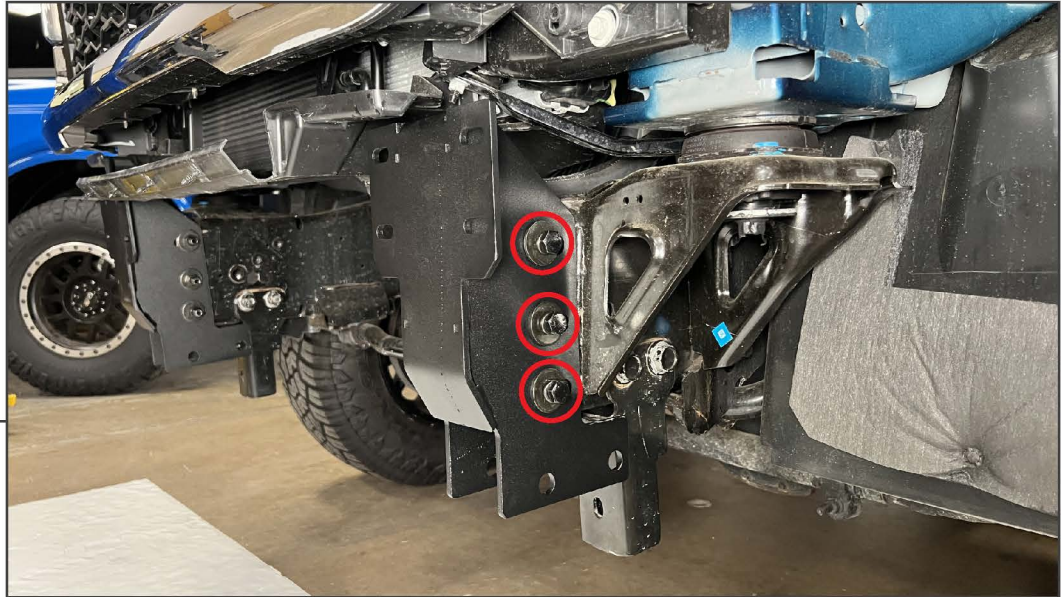
**STEP 9**

Sensor Mounting Option 2: Place the sensor into the designated port, ensuring the mounting tabs are within the slots. Using (2) Phillips screws, gently tighten the screws until moderate pressure is on the sides of the sensor to hold the sensor into place.

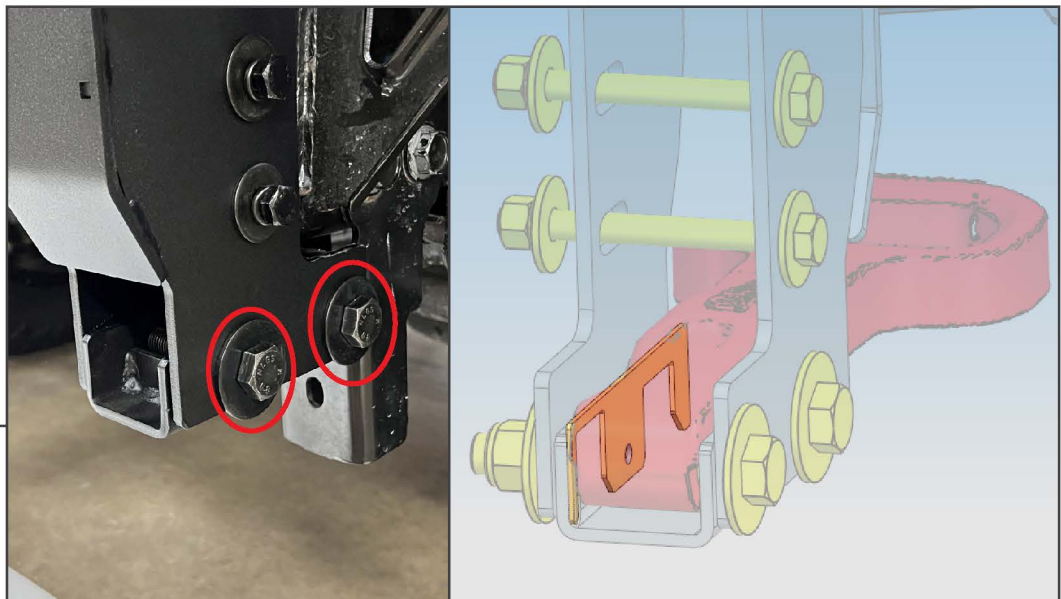
Note: Do NOT over-tighten the screws as the sensor can become damaged.

**STEP 10**

No Sensors: Press the plastic cap into the backup sensor housing through the face of the bumper.

STEP 11

Secure each of the frame rail adapter brackets to the vehicle frame using (3) M12x1.75 x 120mm bolts, (3) M12 lock washers, (6) M12 flat washers, and (6) M12 nuts. Allow the brackets to remain loose at this time to allow for later adjustments.

STEP 12

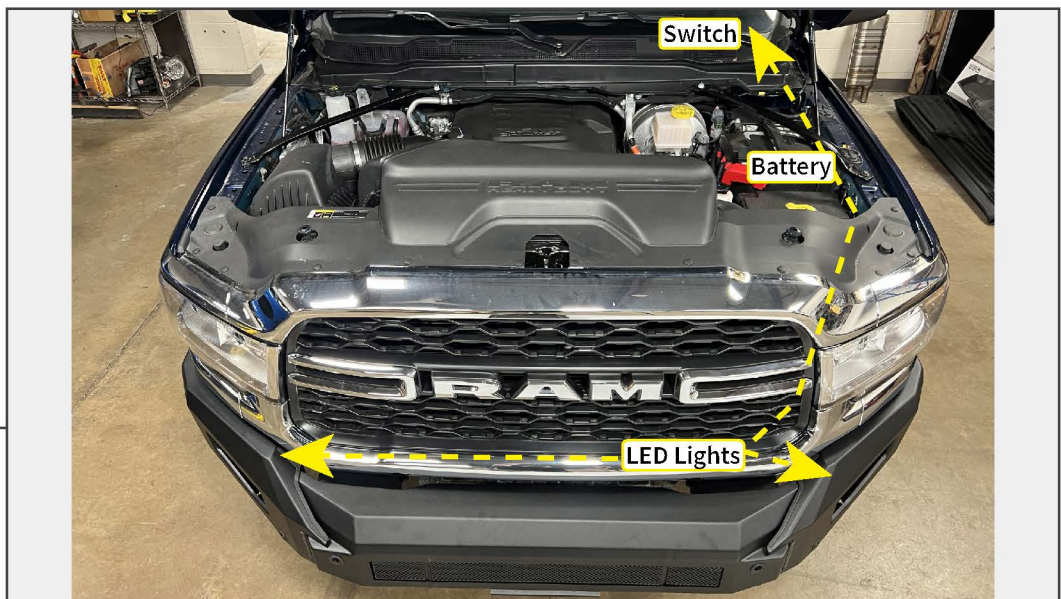
Fit the included reinforcement plate between the adapter bracket, and secure using (2) M14 x 110mm bolts, (4) M14 flat washers, and (2) M14 lock nuts.

If vehicle has OEM tow hooks, install the tow hooks in place using the included M14 bolts. Use the included shims to fill space between the tow hook and the bracket as necessary.

STEP 13

With a helper, lift the bumper to the vehicle, and loosely secure into place using (8) M10x1.50 x 30mm bolts, (16) M8 flat washers, and (8) M8 lock nuts.

Adjust the bumper until the desired fit is achieved, and tighten all mounting bracket and bumper hardware until the bumper is fully secured.

STEP 14

Route the included LED light wiring harness throughout the engine bay following the diagram above. Ensure to route the harness away from any hot/moving components. Use the included (10) cable ties to ensure the harness is secure. Mount the relay to a suitable location in the vehicle engine bay.

Unplug the switch connector, and set the switch aside. Route the switch connector on the main harness towards the main firewall grommet below the brake master cylinder. Carefully cut a small slit in the grommet to allow for the switch connector to route into the vehicle interior.



STEP 15

Installation is now complete.