



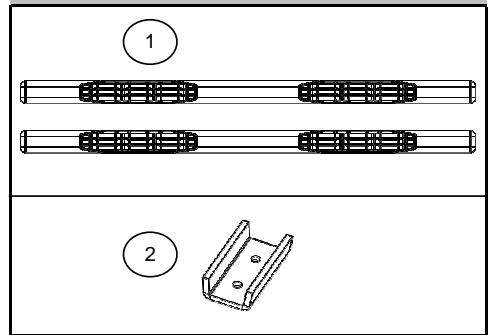
Parts List

Item	Qty.	Code	Description	Max. Torque
1	1 Set	105870AA-0BA	5" Running Board ( Driver & Passenger ).	-
2	1 Kit	BRK-10587	Hardware bracket	-
3	6 Piece	105872AA	U Bracket	-

Required Tools (Not included)

Qty.	Description
1	1/2" Socket
1	Extension to ratchet
1	Ratchet

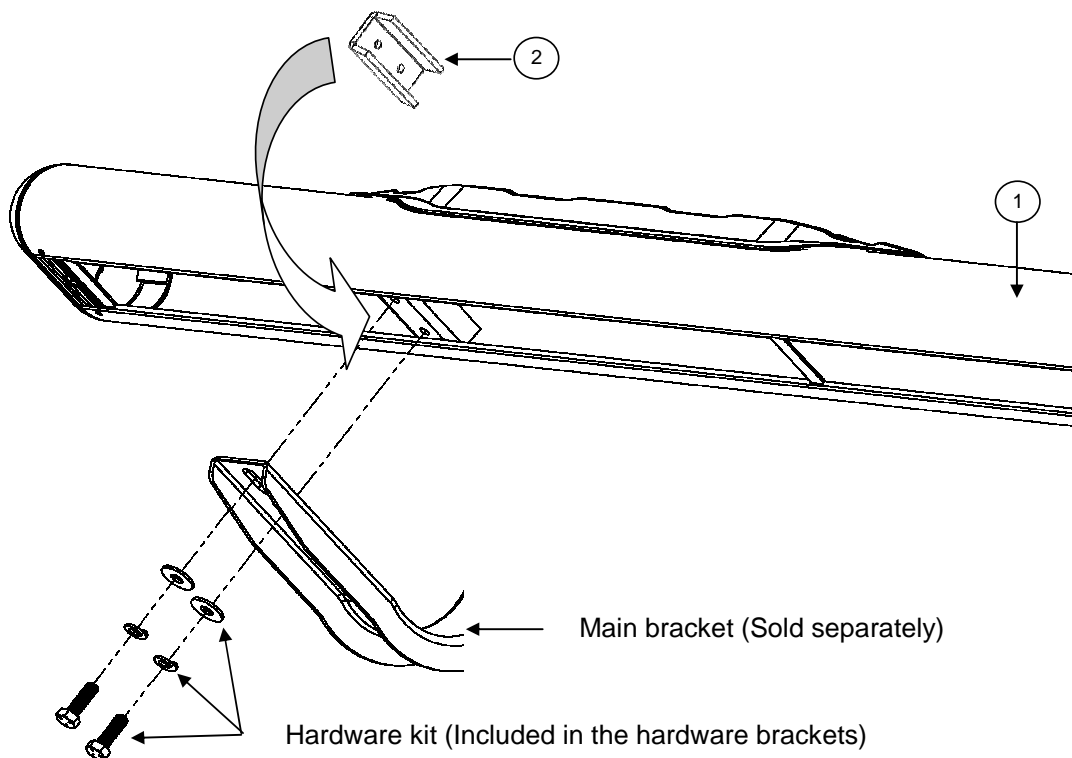
Product Image



Instructions

- 1.- Before beginning the installation, please read all directions carefully and verify that all necessary hardware is accounted for. If any parts are missing, stop the installation and contact your distributor immediately.
- 2.- To maintain and care this product keep it clean and do not use abrasive cleaners or polish waxes. We recommend to use only non-abrasive automotive wax such as pure carnauba to avoid scratches and rust.
- 3.- Once the main brackets are installed (**sold separately**), the approximate installation time is 15 min.
- 4.- Place the U brackets inside the Running Board. Move them to align to the main brackets. **See illustration 1.**
- 5.- Place the 5/16" flat and lock washers with the 5/16 x1" hex head bolts. This hardware kit is included on the main brackets that are (**sold separately**). **See illustration 1.**
- 6.- Align the Running board and tighten the bolts using a 1/2" wrench.
- 7.- Periodically check your product because it may need a re-tighten of bolts.
- 8.- Fill the warranty card and place it inside your vehicle's glove box.

ILLUSTRATION 1.



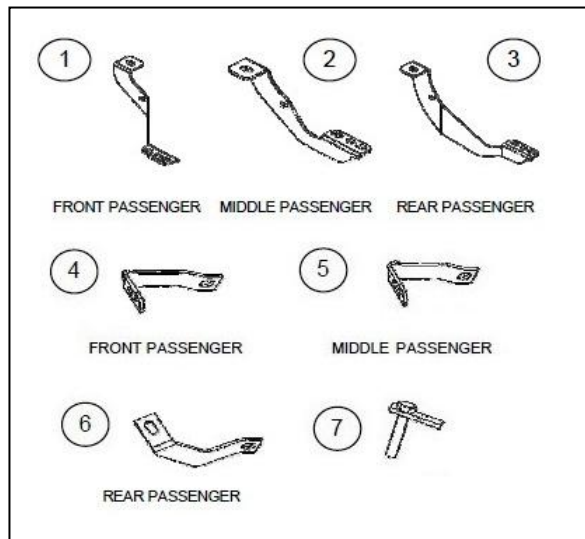
# Installation Instructions

## O.E. Xtreme Brackets Part # 6840425

2015 Chevrolet Silverado / GMC Sierra 2500HD, 3500HD Double Cab (Diesel)

### Parts List

Item	Qty.	Part #	Description	Torque
1	1 Pr	393764AA	Front Cab Bracket	-
2	1 Pr	393764BA	Middle Cab Bracket	-
3	1 Pr	393764CA	Rear Cab Bracket	-
4	1 Pr	393014DA	Front Auxiliary Bracket	-
5	1 Pr	391014FA	Middle Auxiliary Bracket	-
6	1 Pr	390764BA	Rear auxiliary bracket	-
7	6		5/16" Bolt Plate	
8	18		5/16" Flat Washer	-
9	18		5/16" Lock Washer	-
10	18		5/16" Hex Nut	11Ft. Lbs.
11	6		3/8" 1" Carriage Bolt	30 Ft. Lbs.
12	6		3/8" Flat Washer	-
13	6		3/8" Lock Washer	-
14	6		3/8" Hex Nut	30 Ft. Lbs.
15	2		1/2" Flat Washer	
16	12		5/16" x 1" Hex Bolt	30 Ft. Lbs.



#### Tool Required:

1/2", 9/16", & 21mm Socket  
 17mm (12 point) Socket  
 15mm, 1/2" & 9/16" Wrench  
 Ratchet & Ratchet Extension

**Approximate Installation Time: 45 min**

**Read the installation instructions completely and verify that all of the parts listed are accounted for. If you have defective, missing or damaged parts or need assistance, please contact *Go Rhino Products* for fast, friendly customer service at: 1-888-427-4466 or email: [warranty@gorhino.com](mailto:warranty@gorhino.com)**

**WARNING!** GM uses thread-locking compound on all factory body mount bolts. Removal using an air assisted impact or ratchet will damage the body mount bolt threads and the internal nut assembly.

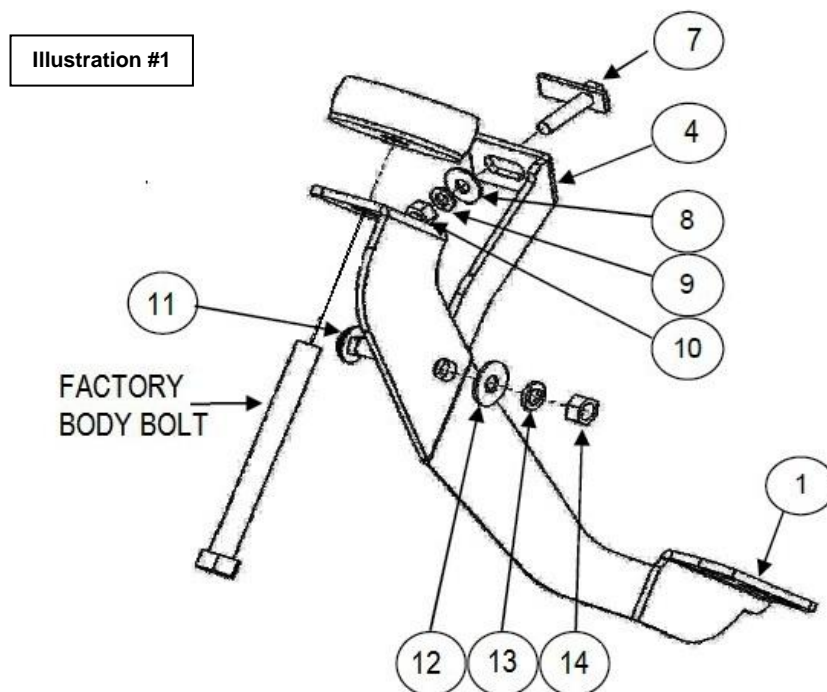
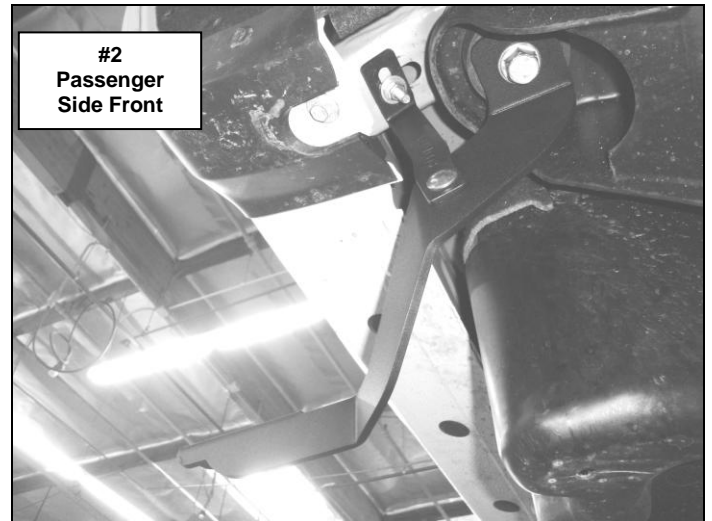
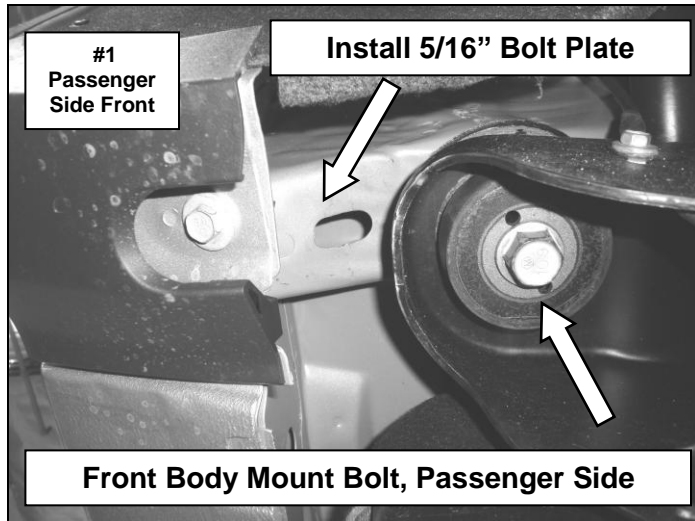
We only recommend using hand tools to slowly remove and reinstall body mount bolts on all GM vehicles.

**IMPORTANT!** If during the body mount bolt removal process, it becomes increasingly difficult to unscrew the bolt with hand tools, tighten the bolt several rotations to clear the thread-locking compound from the threads, then reverse the direction and continue to unscrew the bolt until it is out. Repeat this process as necessary on all of the body mount bolts. Use of an appropriate anti-seize compound is highly recommended for re-installation. Tighten the body mount bolts to factory torque specifications.

## Installation

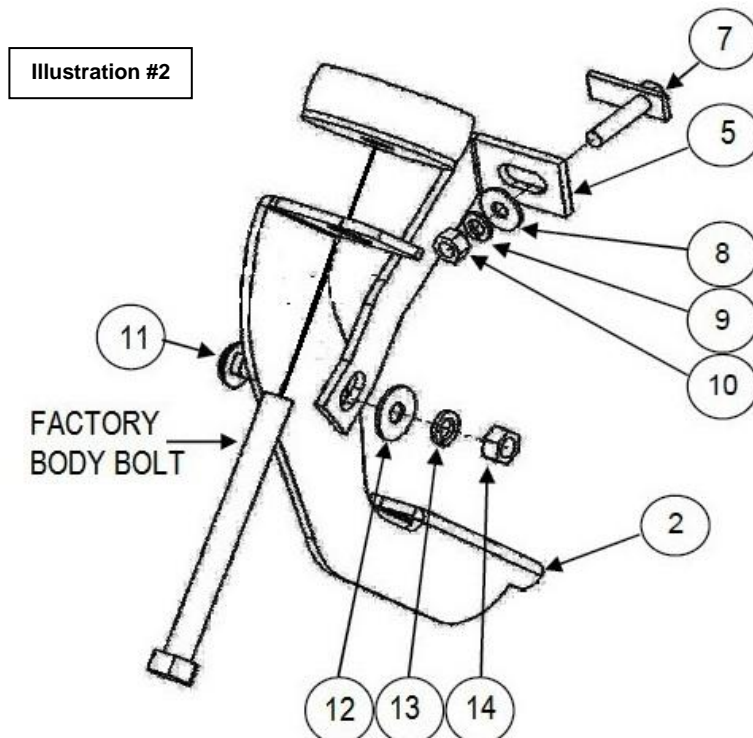
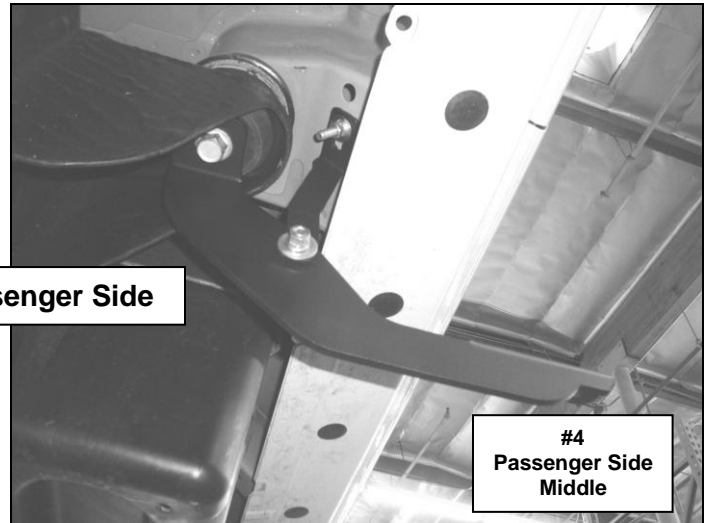
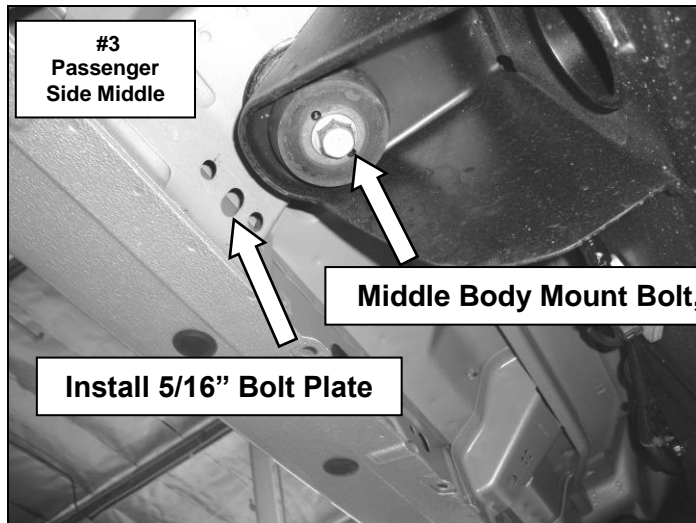
**Step-1** Begin the installation by removing the passenger side front body mount bolt, (Photo 1). Keep all existing washers and bushing in place, and attach the passenger side front bracket to the vehicle using the factory body mount bolt. Leave the bolt loose for final adjustment, (Photo 2 & Illustration 1).

**Step-2** Locate the obround hole in the underside of the body and install one of the 5/16" bolt plates. Photo #1 Attach the passenger side front auxiliary bracket to the body using the bolt plate, (1) 5/16" flat washer, (1) 5/16" lock washer and (1) 5/16" hex nut. Attach the opposite end of the auxiliary bracket to the side of the front bracket using (1) 3/8" x 1" carriage bolt, (1) 3/8" flat washer, (1) 3/8" lock washer and (1) 3/8" hex nut. Leave the nuts and bolts loose for final adjustment, Photo 2 & Illustration 1).



**Step-3** Remove the passenger side middle body mount bolt, (Photo 3). Keep all existing washers and bushing in place, and attach the passenger side middle bracket to the vehicle using the factory body mount bolt. Leave the bolt loose for final adjustment, (Photo 4 & Illustration 2).

**Step-4** Locate the obround hole in the underside of the body and install one of the 5/16" bolt plates, (Photo 3). Attach the passenger side middle auxiliary bracket to the body using the bolt plate, (1) 5/16" flat washer, (1) 5/16" lock washer and (1) 5/16" hex nut. Attach the opposite end of the auxiliary bracket to the side of the middle bracket using (1) 3/8" x 1" carriage bolt, (1) 3/8" flat washer, (1) 3/8" lock washer and (1) 3/8" hex nut. Leave the nuts and bolts loose for final adjustment, (Photo 4 & Illustration 2).

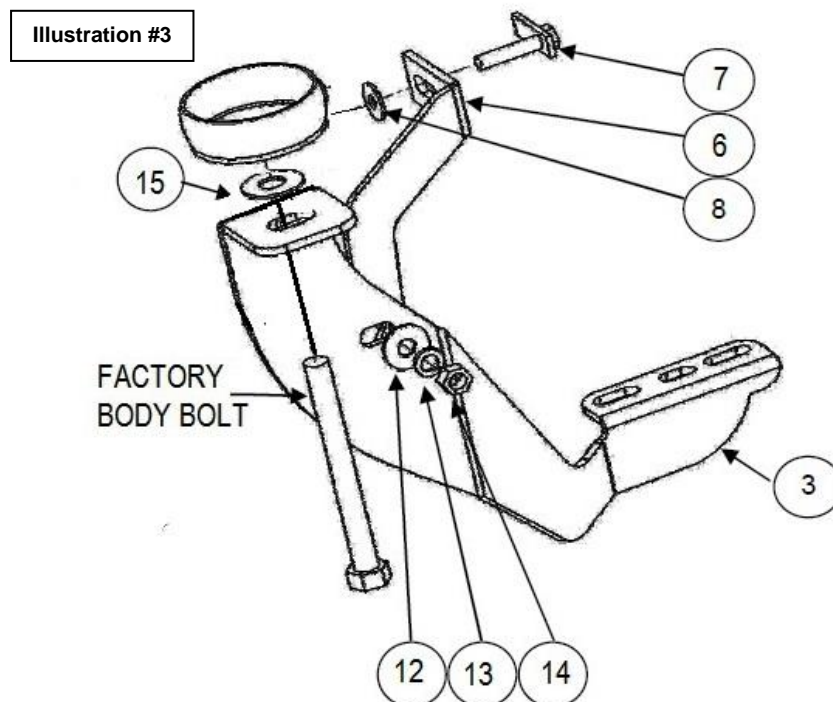
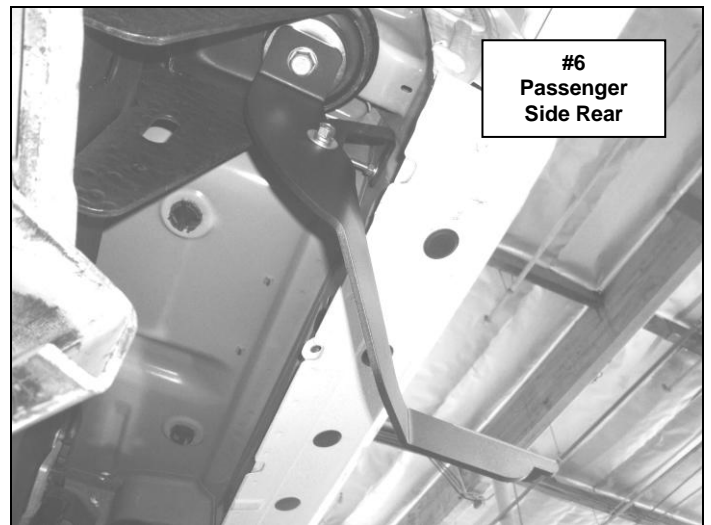
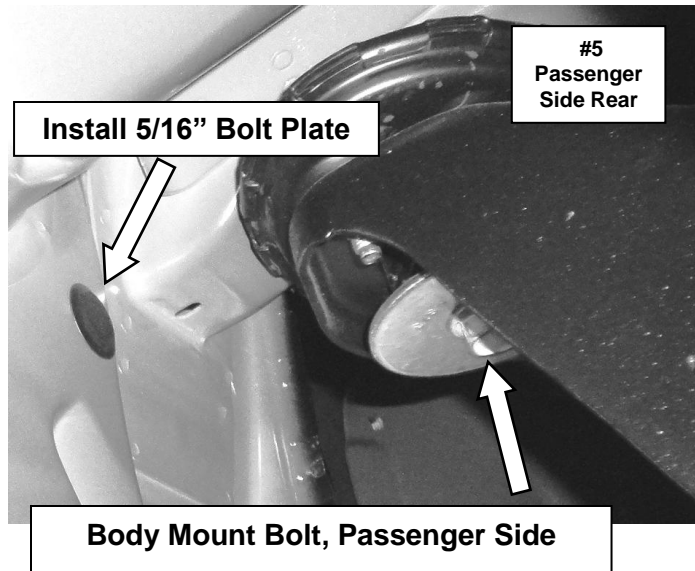


**Step-5** Remove the passenger side rear body mount bolt, (Photo 5).

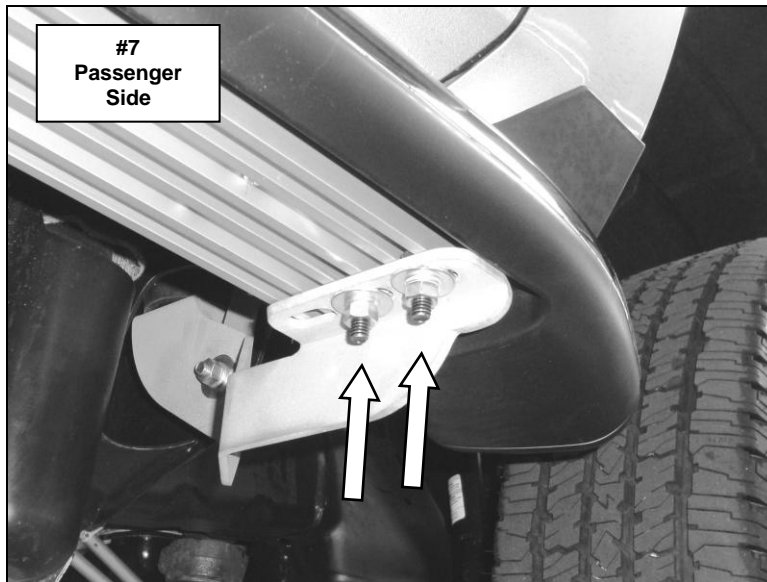
Keep all existing washers and bushing in place, and attach the passenger side rear bracket to the vehicle using the factory body mount bolt and supplied 1/2" flat washer. Leave the bolt loose for final adjustment, (Photo 6 & Illustration 3).

**Step-6** Locate and remove the plastic plug in the body rocker panel to expose the round hole, and install one of the 5/16" bolt plates, (Photo 5).

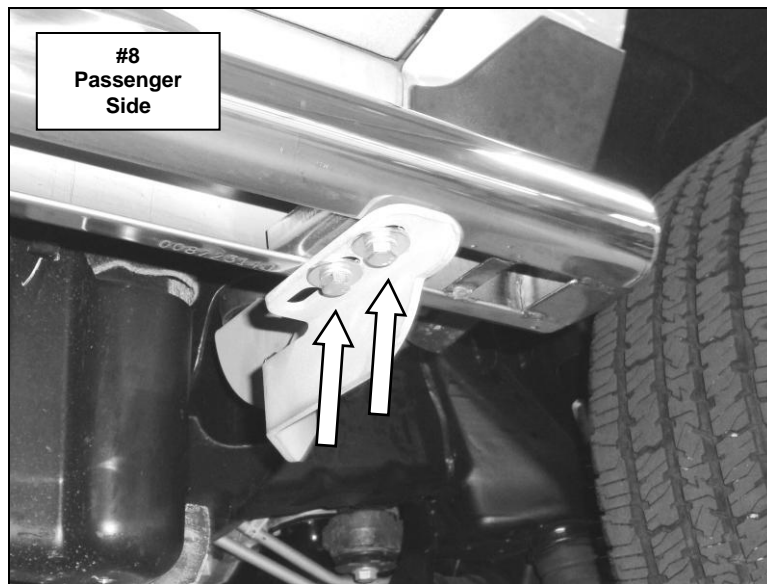
Attach the passenger side rear auxiliary bracket to the body rocker panel using the bolt plate, (1) 5/16" flat washer, (1) 5/16" lock washer and (1) 5/16" hex nut. Attach the opposite end of the auxiliary bracket to the side of the rear bracket using (1) 3/8" x 1" carriage bolt, (1) 3/8" flat washer, (1) 3/8" lock washer and (1) 3/8" hex nut. Leave the nuts and bolts loose for final adjustment, (Photo 6 & Illustration 3).



If installing **5" or 6" Composite** side bars, install (6) 5/16" square head bolts in the aluminum rail on the underside of the side bar and attach the side bar to each bracket using (2) 5/16" flat washers, (2) 5/16" lock washers and (2) 5/16" hex nuts, (**Photo 7**).



If installing **4", 5" or 6" Channel Mount** side bars attach the side bar to each bracket using (1) U-bracket (2) 5/16" hex bolts (2) 5/16" lock washers and (2) 5/16" flat washers, (**Photo 8**).



**Step- 7** Align the side bar with the vehicle and tighten all side bar and bracket nuts and bolts.

**Step -8** Repeat the installation steps to install the driver side brackets and side bar. Remember to check and retighten all nuts and bolts periodically.