

Boss Headache Rack Installation Instructions

Congratulations on your purchase of a high quality PUTCO product. Should you need any application or technical assistance, feel free to call us at: 1-800-247-3974

Monday-Friday 8:00 a.m. - 5:00 p.m. (Central Standard Time)

Contact your PUTCO dealer for other quality accessories.

Please read all instructions before installation and check to see that all parts are included.

KIT CONTENTS:	
Description	Qty.
Boss Headache Rack	1
Mounting Brackets	2
Threaded Plates	2
5/16" x 3.25" Bolt	2
5/16" x 1.25" Bolt	2
3/8" x 1.5" Bolt	2
5/16" Flange Locknut	2
5/16" Washers	4
Oval or Flat Washer (GM / RAM use oval washer, others use Flat Washer)	2
Rubbers Bands	4

Tools Needed:

- X-Acto Knife/Razor Blade
- Measuring Tape
- Ratchet
- 9/16" Socket
- 3/16" Hex Socket or Key
- Drill and Drill Bits (Optional)

Installation Instructions:

1. Use X-Acto knife/razor blade to cut open stake pocket (if not already exposed).
2. Use 2 rubber bands to hold threaded plate to mounting bracket. Make sure threaded hole is not obstructed (see **Figure 1**).
3. Thread the 3.25" long bolt into the bracket assembly, and lower it into the stake pocket. **NOTE: Some brackets are driver/passenger side specific!** Make sure nut clip is facing into the bed of the truck, and is centered in hole of bed wall (**Figure 2**).



Figure 1: Bracket and threaded plate.

Putco guarantees its Stainless Steel and Aluminum products against defects in workmanship and material for as long as you own your vehicle. All painted products have a 90 day warranty on the painted surface. Any defects resulting from faulty material or workmanship will be warranted by Putco and repaired or replaced at our discretion. Putco assumes no extra labor costs. Damages caused by freight carriers, improper installation, misuse, collision, or neglect will not be warranted by Putco.

- Loosely thread 3/8" bolt with oval washer (flat washer on Ford) through bed wall into bracket. Temporarily remove 3.25" bolt from top of bracket.
- Repeat steps 1-4 on other stake pocket.
- Place Boss headache rack on bed caps, aligning slotted holes on the rack with threaded hole on mounting bracket.
- Insert 3.25" long bolt into slot and finger tighten in threaded plate (**Figure 3**). Repeat on other side.
Align headache rack, making it flush with the front of bed cap.
- Use tape measure to make the gap between mounting feet and edge of bed cap equal on both sides (**Figure 4**).
Using a 9/16" socket, tighten 3/8" bolts inside bed of truck. Next,
- tighten the 3.25" long bolts using a 3/16" hex key or socket.

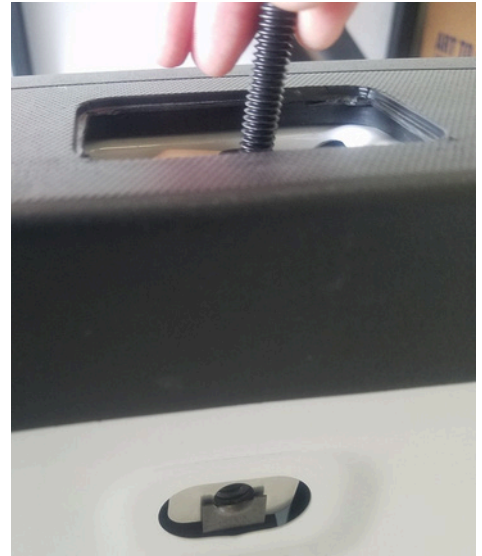


Figure 2: Lowering bracket into pocket. Nut clip facing into bed (touching bed wall) and centered in opening.

- Optional step:** For extra rigidity, use drill and 5/16" drill bit to drill a hole in bed cap. Make sure headache rack is properly aligned before drilling. Use 5/16" x 1.25" long bolt and flange locknut to fasten rack to bed cap (**Figure 4**).

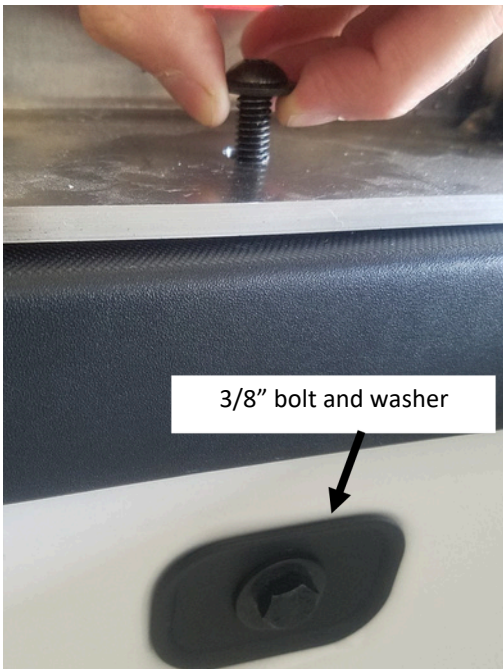


Figure 3: Threading 3.25" bolt.

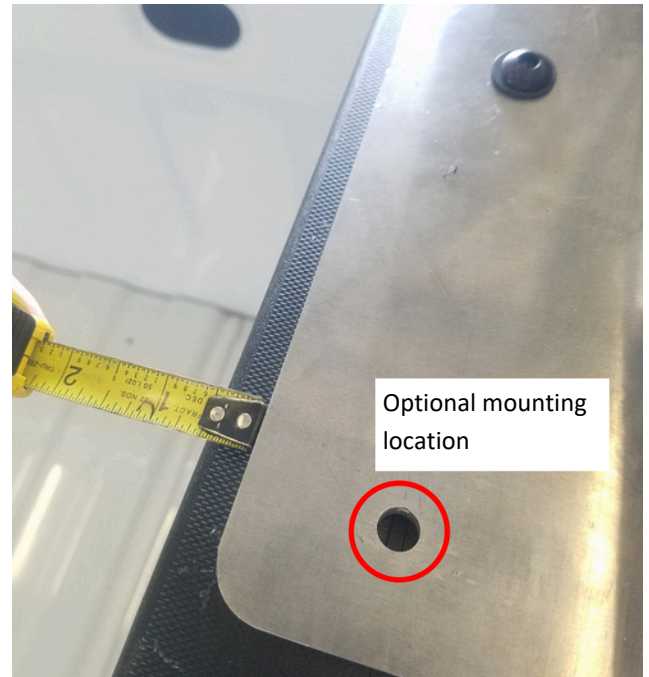


Figure 4: Aligning headache rack. Optional mounting point circled.

Enjoy your new Putco Boss Rack!

Putco guarantees its Stainless Steel and Aluminum products against defects in workmanship and material for as long as you own your vehicle. All painted products have a 90 day warranty on the painted surface. Any defects resulting from faulty material or workmanship will be warranted by Putco and repaired or replaced at our discretion. Putco assumes no extra labor costs. Damages caused by freight carriers, improper installation, misuse, collision, or neglect will not be warranted by Putco.



ADDITIONAL INSTRUCTIONS FOR BOSS RACK & TEC RAIL KIT



For proper installation and best possible fit, please read all instructions BEFORE you begin.

Important Information

BEFORE you begin the installation process:

- Carefully read all instructions.
- Verify that all parts are included by checking the contents of your kit.

If any parts are missing or appear damaged, please contact our customer service team for assistance.

Customer Service

For support, please contact the Putco team, available Monday to Friday 8:30 AM to 5PM (Central Time).

1 800 247 3974

support@putco.com

Supported Vehicles

MAKE	MODEL	YEAR
Ford	F-150, F-250, F-350	2015 - 2026
Chevy/GMC	Silverado/Sierra 1500, 2500, 3500	2014 - 2026
Ram	Ram 1500, 2500, 3500	2010 - 2026
Nissan	Titan	2016 - 2024

Recommended Tools + Supplies

Socket Set (Vehicle Dependent)	3/16" Allen Wrench
--------------------------------	--------------------

Kit Contents - 890XX - Headache Rack

Headache Rackx1	Front Stake Pocket Brackets x 2	5/16" x 3.25" Boltx 2
3/8" x 1.5" Boltx 2	3/8" Washerx 2	5/16" Washerx2

Kit Contents - 890XX - Headache Rack Supplemental Hardware for Additional Mounting (Drill Install - Vehicle Dependent - See step 3)

5/16" x 1.25" Bolt x 2

	5/16" Washerx 2	5/16" Flange Nut x2
--	-----------------	---------------------

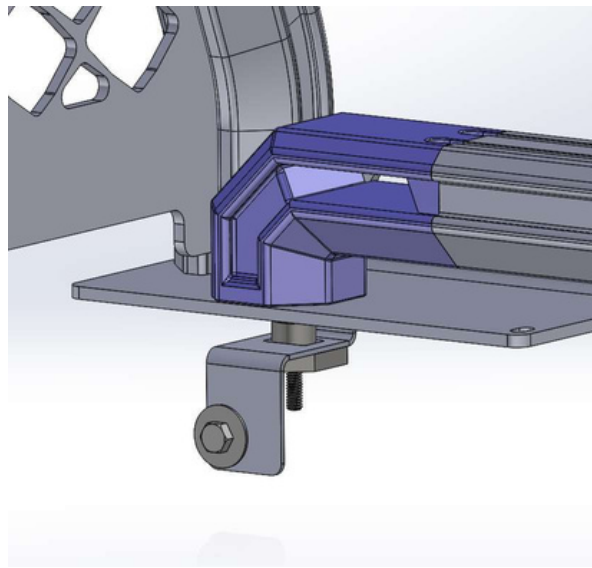
Kit Contents - 1098XX - Tec Rails

Tec Railx 2	TecRailEnd Capsx4	Stake Pocket Gaskets x 4
Front Stake Pocket Brackets x 2	Rear Stake Pocket Brackets x 2	5/16" x 3.25" Boltx 4
3/8" Washer x 2/4 (Vehicle Dependent)	3/8" x1.5" Bolt x 2/4 (Vehicle Dependent)	

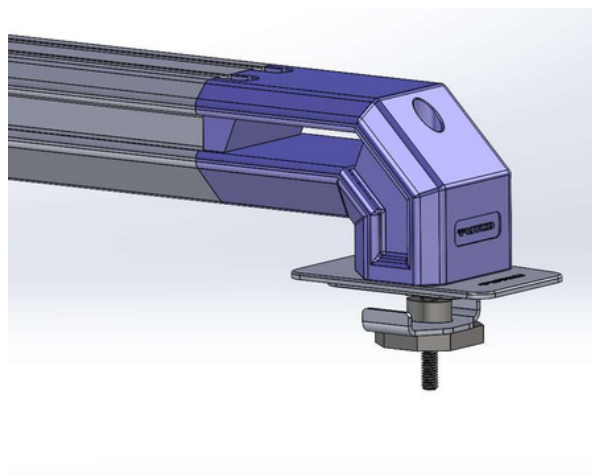
NOTE: This guide serves as a supplemental instruction to show how bed rails mount with a headache rack and the hardware that is required and not required. You should still go through the individual instruction set for each kit.

Step by Step Installation

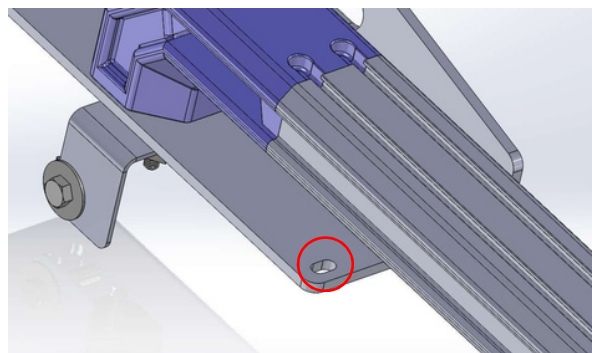
1. The mounting hardware in the Headache Rack kit will match the front hardware in the TecRailkit. The front stake pocket cover in the Tec Rail kit will not be needed if you are mounting to a Headache Rack.



2. The rear mount of the TecRail will remain the same and will require no additional hardware.



3. Some Headache Racks have an additional hole near the back of the footplate. This hole would need to be drilled into the bed and utilize the additional mounting hardware. If it is there, it is highly recommended to use that hole to increase rigidity.



4. Some hardware will be extra and can be kept or discarded.

Front Stake Pocket Gasketsx 2
Front Stake Pocket Bracketsx 2
5/16" x 3.25" Bolt x 2
3/8" x 1.5" Bolt x 2
3/8" Washer x 2
5/16" Washer x 2

Congratulations on completing the installation of your Putco product!
For information regarding your warranty, please visit
www.putco.com/warranty.

Issues? Please Contact Our Technical Support Team: 1 800 247 3974



WARNING: Final Inspection required. Inspect product was properly Installed and all installation instructions were followed.



For additional information, please visit our website at www.putco.com!