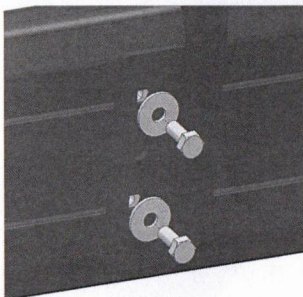


CARE AND USE INSTRUCTIONS

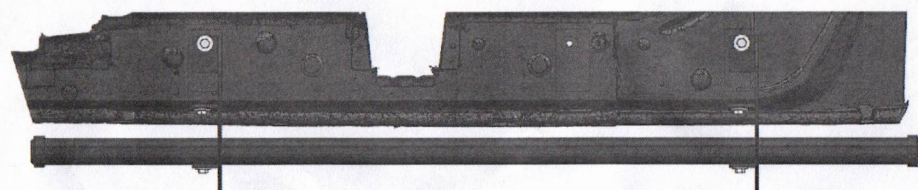
Step 3:

1. Remove (4) M8 hex bolts and (4) M8 flat washers behind the step bar.
2. Slide mounting tracks to proper positions.
3. With assistance, lift and attach the step bar to brackets. Secure the step bar on brackets with (4) M8 hex bolts and (4) M8 flat washers.
4. Repeat to install the other side step bar. Do not fully tighten.



Step 4:

1. Tighten M8 hex bolts on vehicle with 15 ft. lbs. torque.
2. Adjust the step bar to level and tighten M8 hex bolts with 15 ft. lbs. torque.
3. After the step bar installed, periodic check to ensure all mounting hardware remains secure and tight.



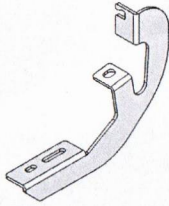
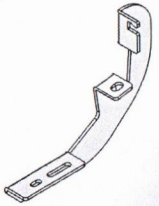
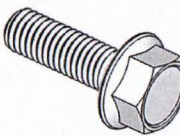

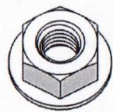
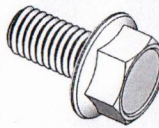
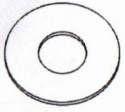
Front



Passenger Right Side

CARE AND USE INSTRUCTIONS

Part List:

| | | | |
|---|----|--|----|
|  | |  | |
| Driver Side Bracket | ×2 | Passenger Side Bracket | ×2 |
|  | |  | |
| M8 Hexagon Bolt | ×8 | M8 Flat Washer | ×8 |
|  | |  | |
| M8 Hexagon Nut | ×8 | M8 Hexagon Bolt (on step bar) | ×8 |
|  | | | |
| M8 Flat Washer (on step bar) | ×8 | | |

Tools Required

13mm Socket

Ratchet

Torque Wrench

Notes

Read this instruction carefully before starting installation.
Proper tools will improve the quality of installation and reduce the time required.
If missing parts or any damage found, please take a picture, and contact us.

Step 1:

1. Locate (2) mounting positions on each side inner rocker panel.
2. There are 3 mounting positions each side, we will use the 1st and the 3rd.
3. Remove rubber plugs and clean factory threaded inserts.
4. Clean the sealant and dirt around mounting positions.

Step 2:

1. Attach bracket to inner rocker panel.
2. Secure the bracket to inner rocker panel with (2) M8 hex bolt, (2) M8 flat washer.
3. Repeat to install other brackets.

