

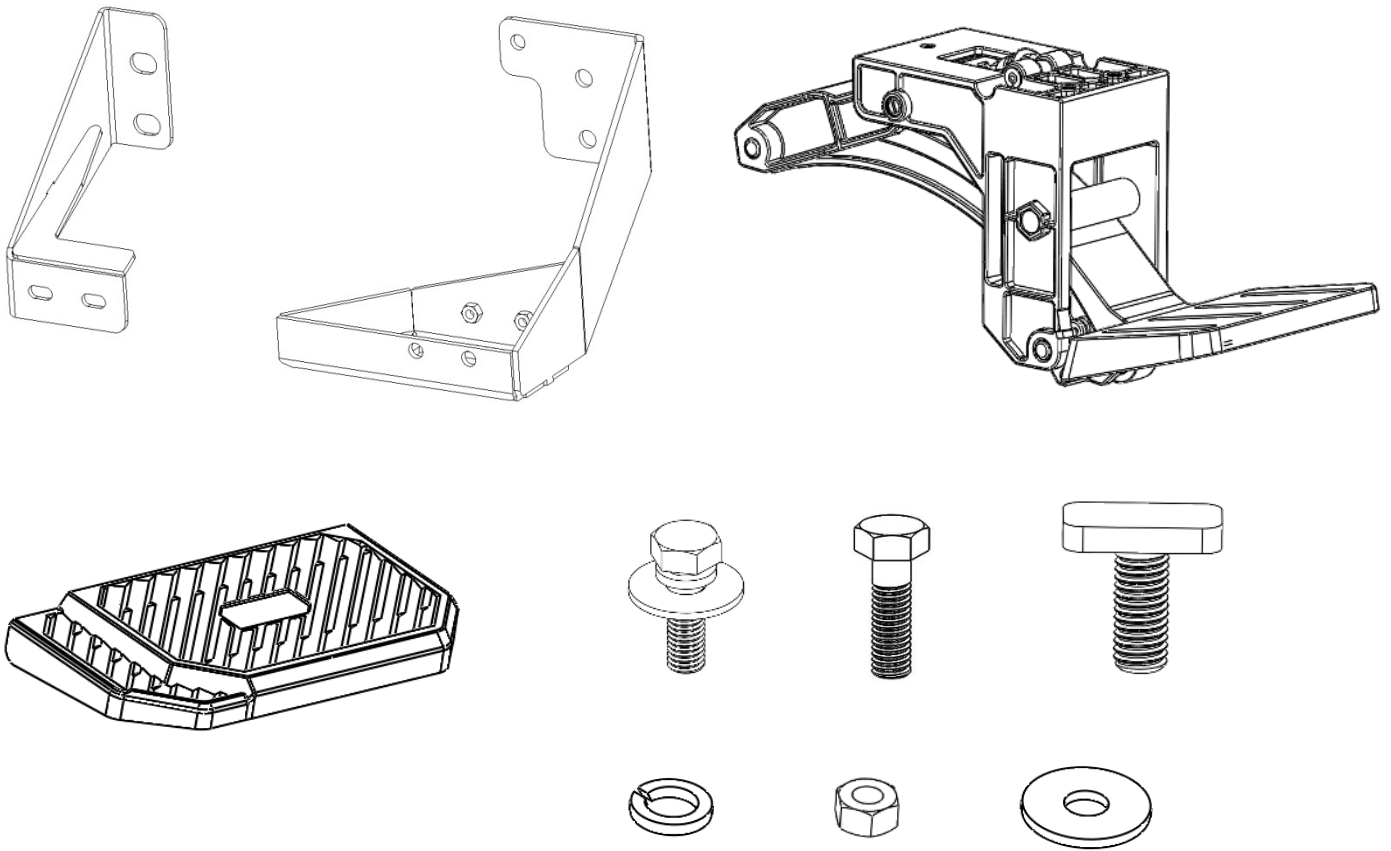


2011 - 2014 Chevrolet Silverado 2500/3500  
 2011 - 2014 GMC Sierra 2500/3500  
 Manual Corner Step – SKU # HS75379

## INSTALLATION INSTRUCTIONS

### PARTS LIST:

Qty.	Description	Qty.	Description
1	Corner Step Base Component	5	8mm x 24mm x 2mm Flat Washers
1	Step pad	1	8mm x 20mm Hex Bolt
1	Mounting Bracket	1	8mm Lock Washer
1	Support Bracket	1	10mm x 20mm x 2mm Flat Washer
4	8mm x 25mm Combo Bolts	1	10mm Lock Washer
4	8mm x 20mm T-Bolts	1	10mm x 35mm Hex Bolt
4	8mm Nylon Lock Nuts		

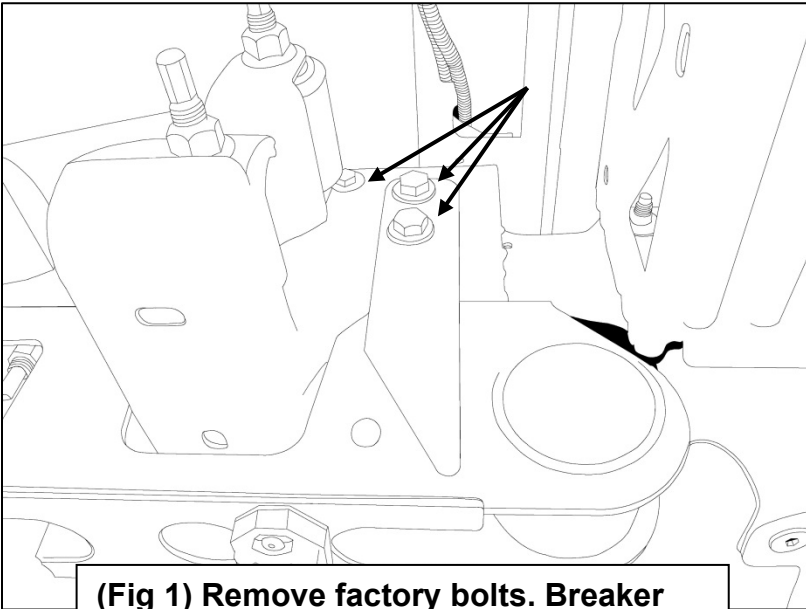


### TOOLS REQUIRED

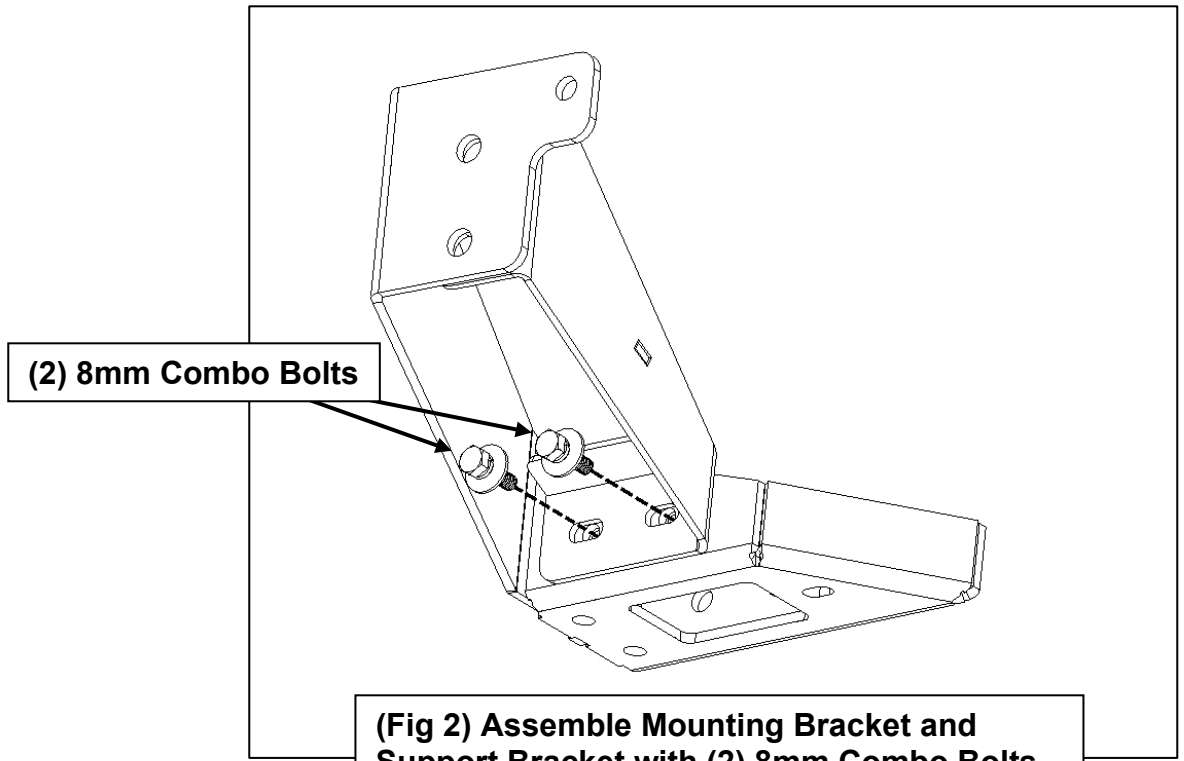


**1**

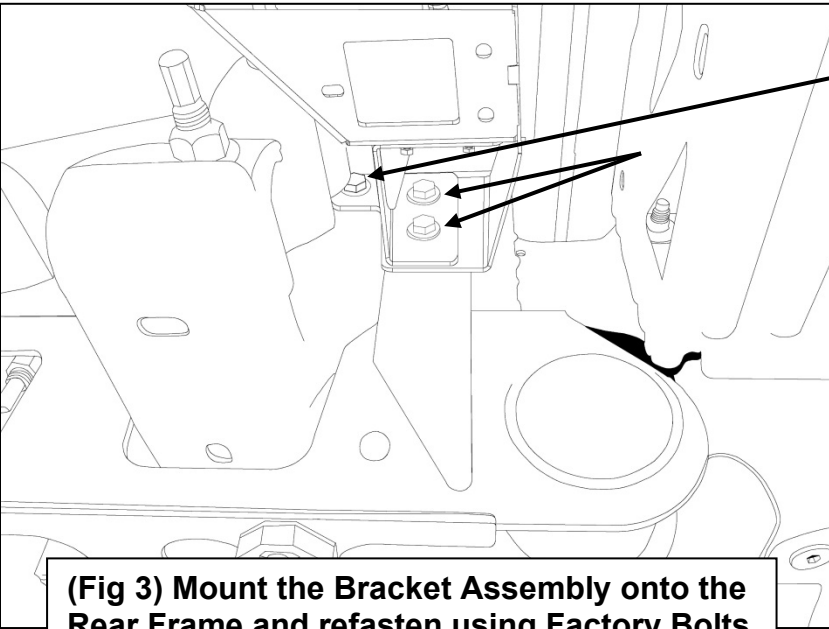
Follow Figs. 1 – 9 to install Corner Step on the Driver Side Rear Bumper Frame.



**(Fig 1) Remove factory bolts. Breaker bar may be necessary to loosen.**

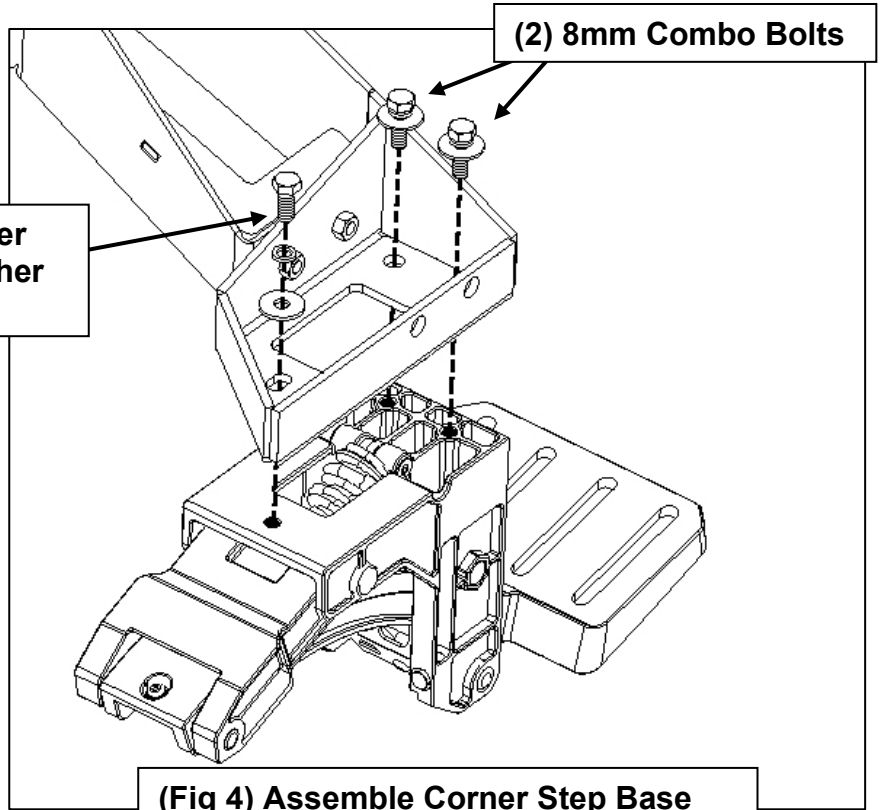


**(Fig 2) Assemble Mounting Bracket and Support Bracket with (2) 8mm Combo Bolts.**



- (1) 10mm Flat Washer
- (1) 10mm Lock Washer
- (1) 10mm Hex Bolt

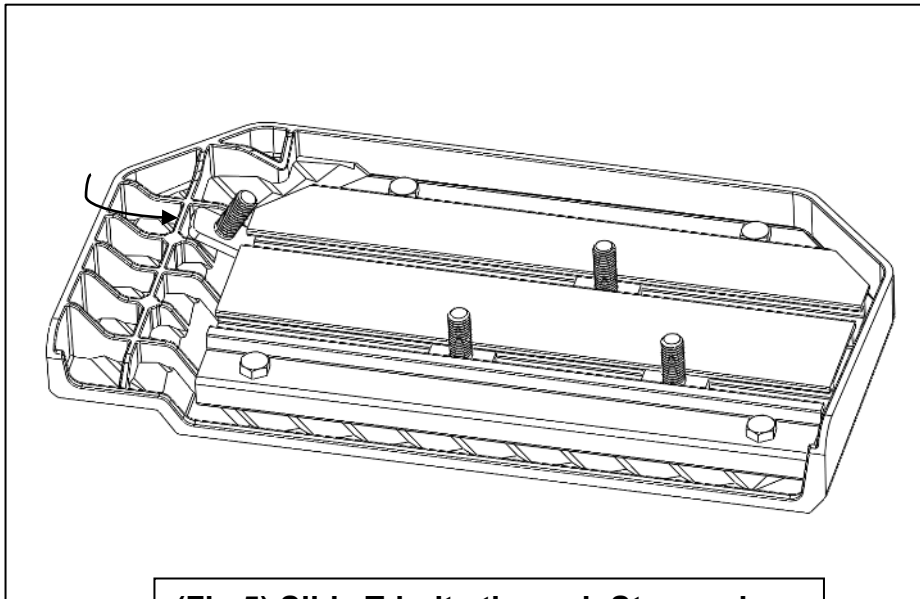
**(Fig 3) Mount the Bracket Assembly onto the Rear Frame and refasten using Factory Bolts previously removed. If the left Factory Bolt is missing, use the supplied bolt.**



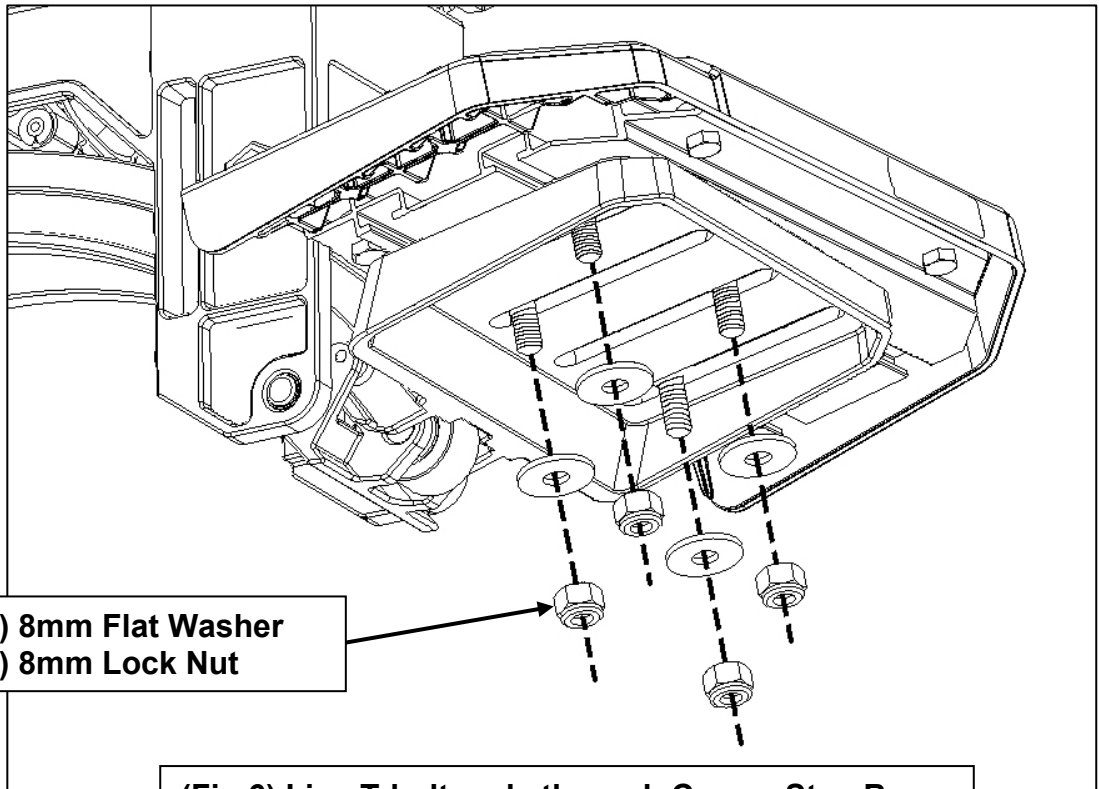
- (1) 8mm Flat Washer
- (1) 8mm Lock Washer
- (1) 8mm Hex Bolt

- (2) 8mm Combo Bolts

**(Fig 4) Assemble Corner Step Base Component onto Mounting Bracket.**

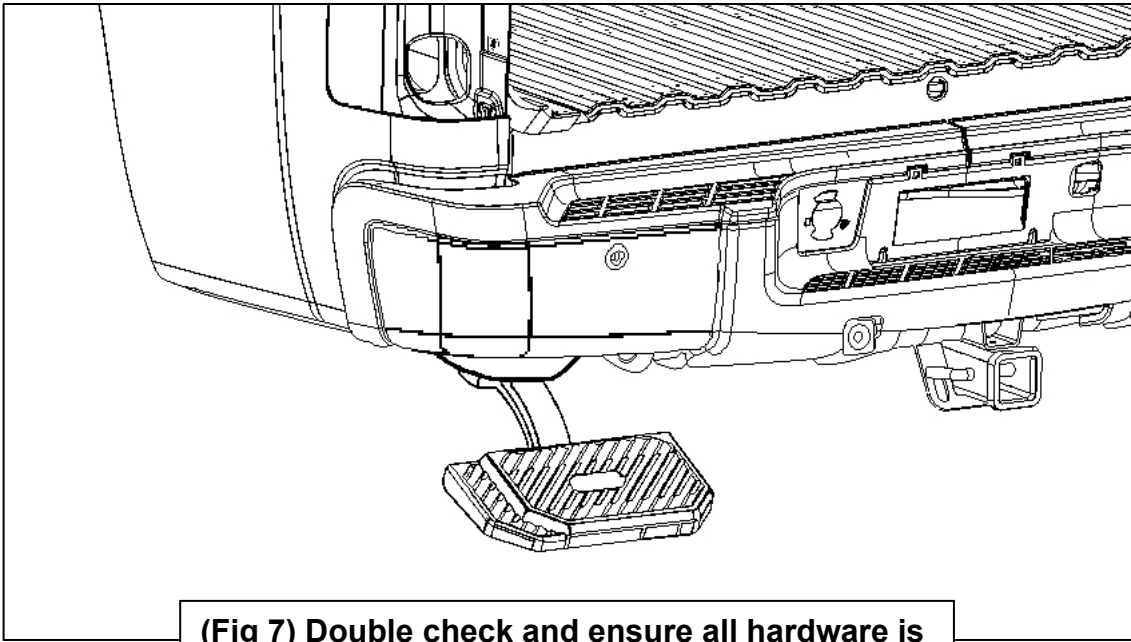


**(Fig 5) Slide T-bolts through Step under channels, two T-bolts per channel.**



- (4) 8mm Flat Washer**
- (4) 8mm Lock Nut**

**(Fig 6) Line T-bolt ends through Corner Step Base component slots. Fasten Step onto Step Component and adjust to preference.**



**(Fig 7) Double check and ensure all hardware is tightened. Installation is complete.**