



# Rocker Step

PART #: BR-CRS-005

**FITS:**

- 2019-Up Chevy Silverado 1500 Crew Cb
- 2019-Up GMC Sierra 1500 Crew Cab
- 2020-Up Chevy Silverado 2500/3500 Crew Cab
- 2020-Up GMC Sierra 2500/3500 Crew Cab



60-120 min



Cutting Not Required



Drilling Not Required

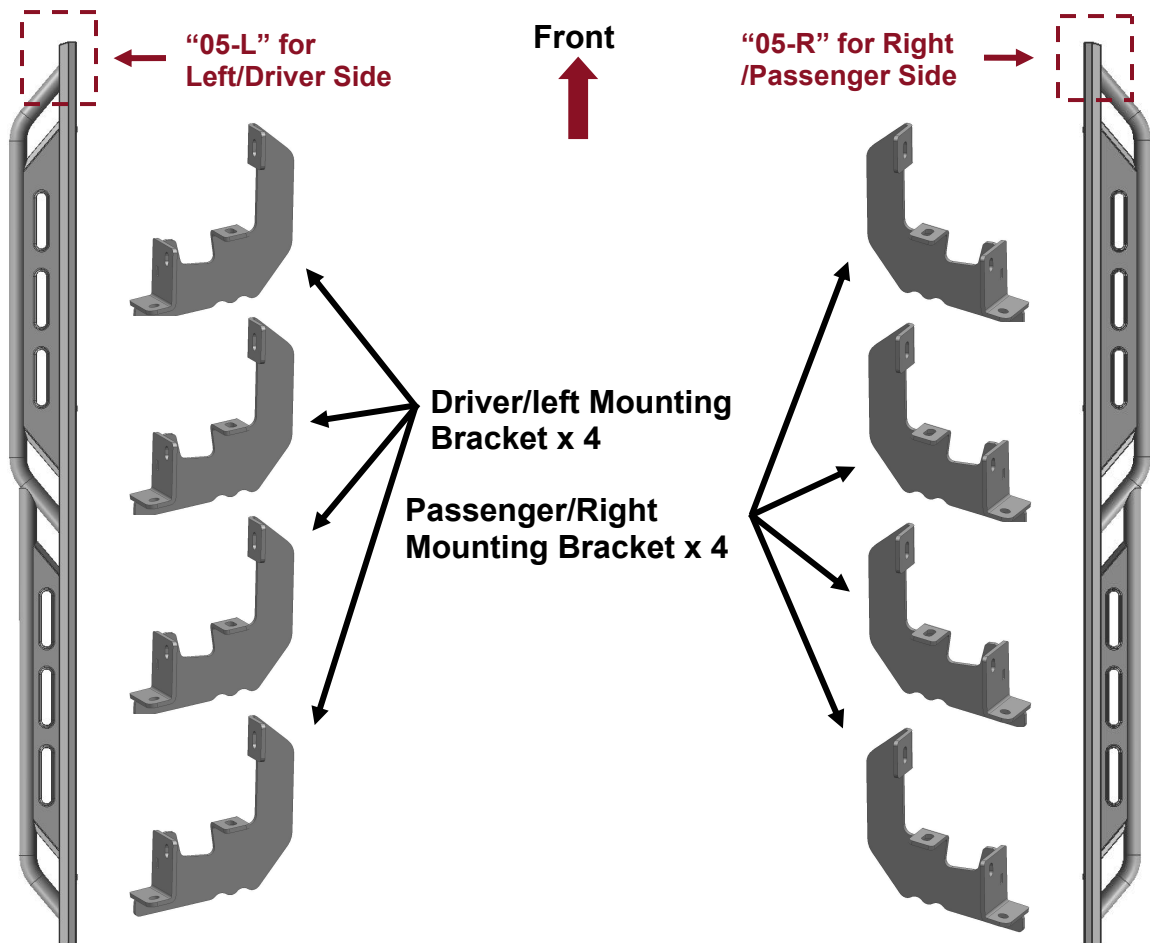
## Torque & Tools

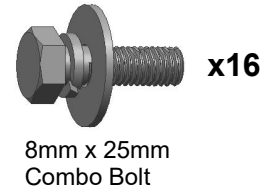
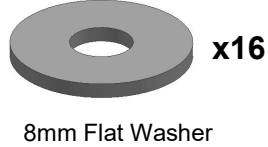
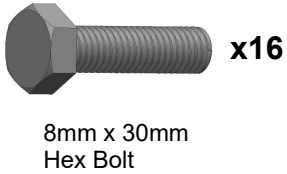
Fastener Size	Tightening Torque (ft-lbs)	Wrench Required		Allen Wrench Required	
			<input type="checkbox"/> 10mm		<input type="checkbox"/> 4mm
<input type="checkbox"/> 6mm	<input type="checkbox"/> 7-8.5		<input checked="" type="checkbox"/> 13mm		<input type="checkbox"/> 5mm
<input checked="" type="checkbox"/> 8mm	<input checked="" type="checkbox"/> 18-20		<input type="checkbox"/> 16mm		<input type="checkbox"/> 6mm
<input type="checkbox"/> 10mm	<input type="checkbox"/> 35-40		<input type="checkbox"/> 18mm		<input type="checkbox"/> 8mm
<input type="checkbox"/> 12mm	<input type="checkbox"/> 60-70				

### BEFORE INSTALLATION

REMOVE CONTENTS FROM BOX. VERIFY ALL PARTS ARE PRESENT. READ INSTRUCTIONS CAREFULLY BEFORE STARTING INSTALLATION. ASSISTANCE IS RECOMMENDED.

### Part List





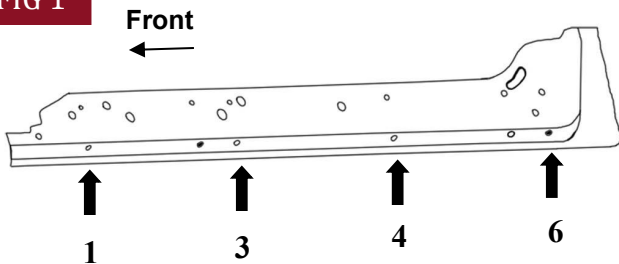
**PLEASE NOTE THAT THE FOLLOWING PICTURES ARE BASED ON THE PASSENGER SIDE INSTALLATION**

## STEP 1

Start the installation under the Passenger/Right side of the vehicle.

- For “Early” 2019 models, locate the 8 plugs along the bottom edge of the body. Mounting Brackets will bolt to the 1st, 3rd, 4th and 6th threaded mounting holes, (Fig 1).
- For “Late” 2019 models, all (4) mounting locations will be used.

FIG 1

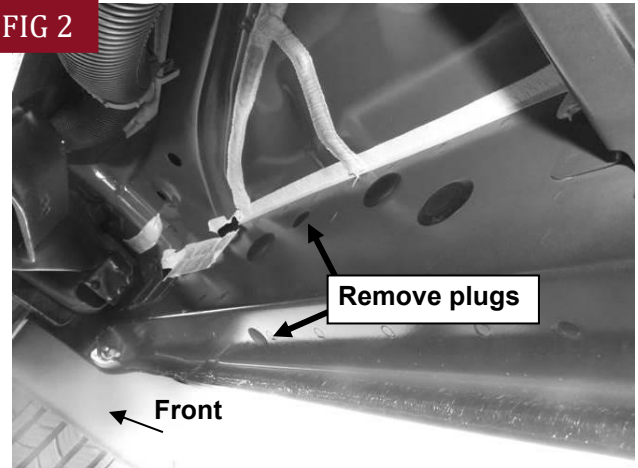


(Fig 1) Passenger/Right “Early” rocker panel mounting locations (arrows) NOTE: Hold Bracket up to body panel to help determine the correct mounting locations.

## STEP 2

Remove the plastic plugs from the Passenger/Right front mounting location, (Fig 2).

FIG 2

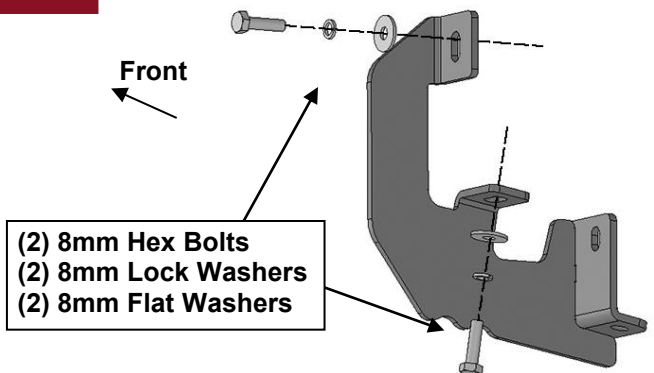


(Fig 2) Remove plastic plugs to uncover threaded inserts

## STEP 3

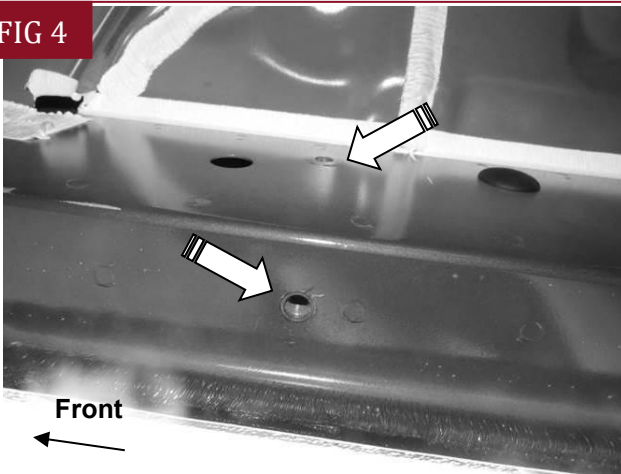
Select (1) Passenger/Right Mounting Bracket. Attach the Mounting Bracket to the factory threaded holes with (2) 8mm Hex Bolts, (2) 8mm Lock Washers and (2) 8mm Flat Washers, (Figs 3 & 4). Do not tighten hardware.

FIG 3



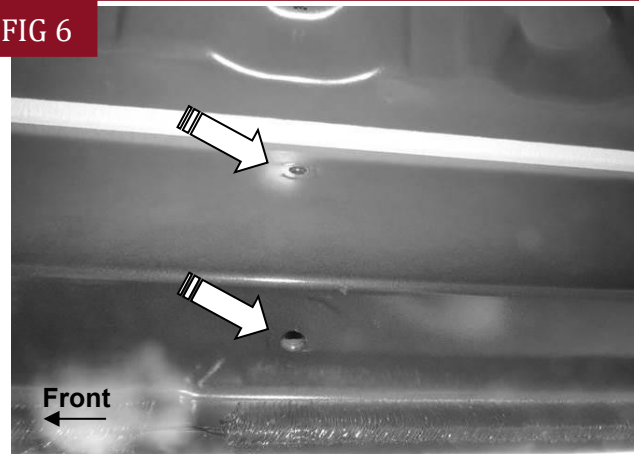
(Fig 3) Attach (1) Passenger/Right Mounting Bracket to the mounting location

FIG 4



(Fig 4) Passenger/Right front mounting location

FIG 6

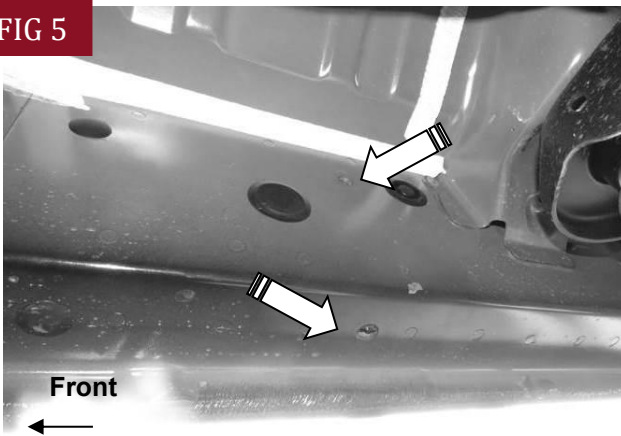


(Fig 6) Passenger/Right 3rd mounting location

## STEP 4

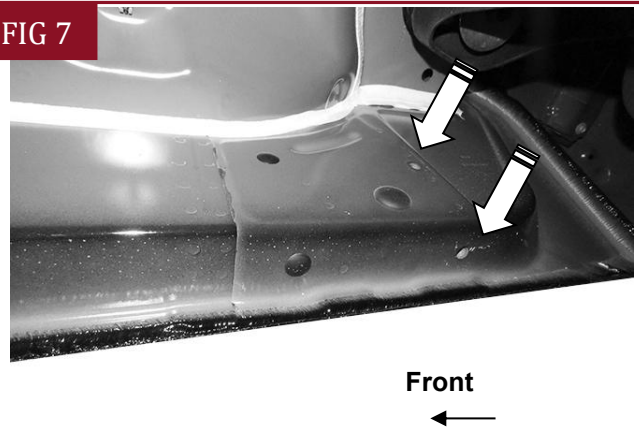
Repeat **Steps 1 - 3** to attach the (3) remaining Passenger/Right Mounting Brackets to the (3) remaining locations along the rocker panel, (**Figs 5—7**). Do not tighten hardware.

FIG 5



(Fig 5) Passenger/Right 2nd mounting location

FIG 7

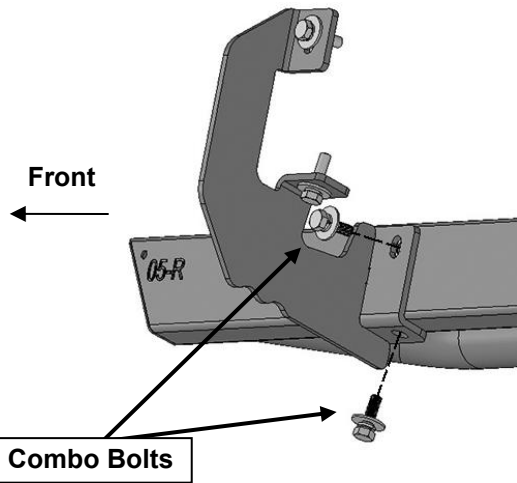


(Fig 7) Passenger/Right rear mounting location

## STEP 5

Select the Passenger/Right Running Board.  
**NOTE:** The Passenger/Right Running Board will have a "05-R" on the front. Carefully place Running Board on the brackets. **IMPORTANT:** Do not slide Running Board front to back on the Brackets or damage to the finish may result. Attach Running Board to the Mounting Brackets with (8) 8mm Combo Bolts, (**Fig 8**). Do not tighten hardware.

FIG 8



(Fig 8) Attach Passenger/Right Running Board to the Mounting Brackets

## STEP 6

Level and adjust the Running Board and fully tighten all hardware.

## STEP 7

Repeat **Steps 1—6** to attach the Driver/Left Running Board.

## STEP 8

Do periodic inspections to the installation to make sure that all hardware is secure and tight.

### Attention

To protect your investment, do not use any type of polish or wax that may contain abrasives that could damage the finish.

Mild soap may be used also to clean the Running Boards.