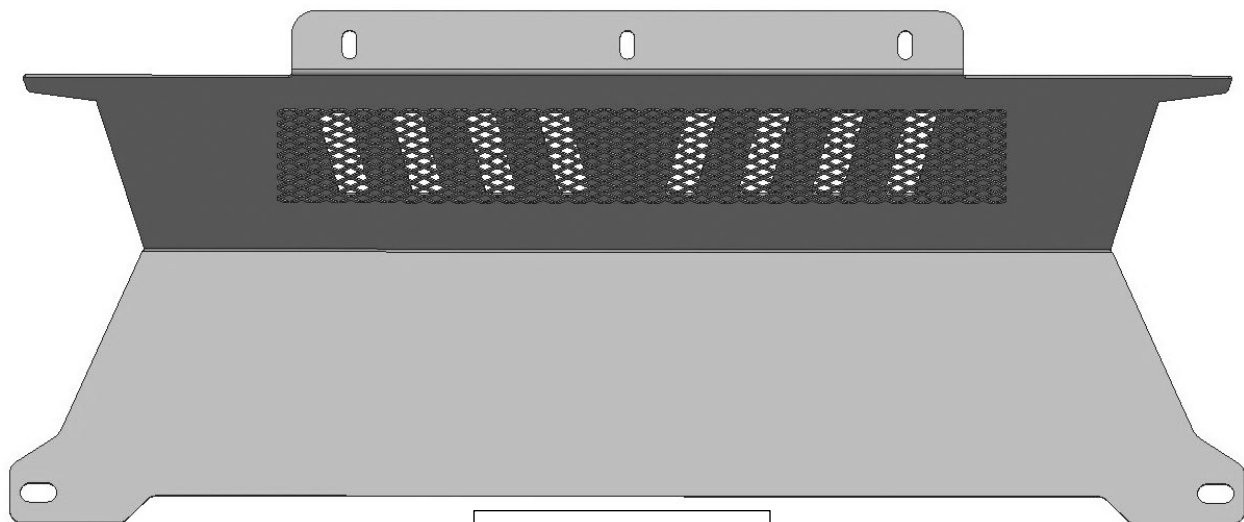
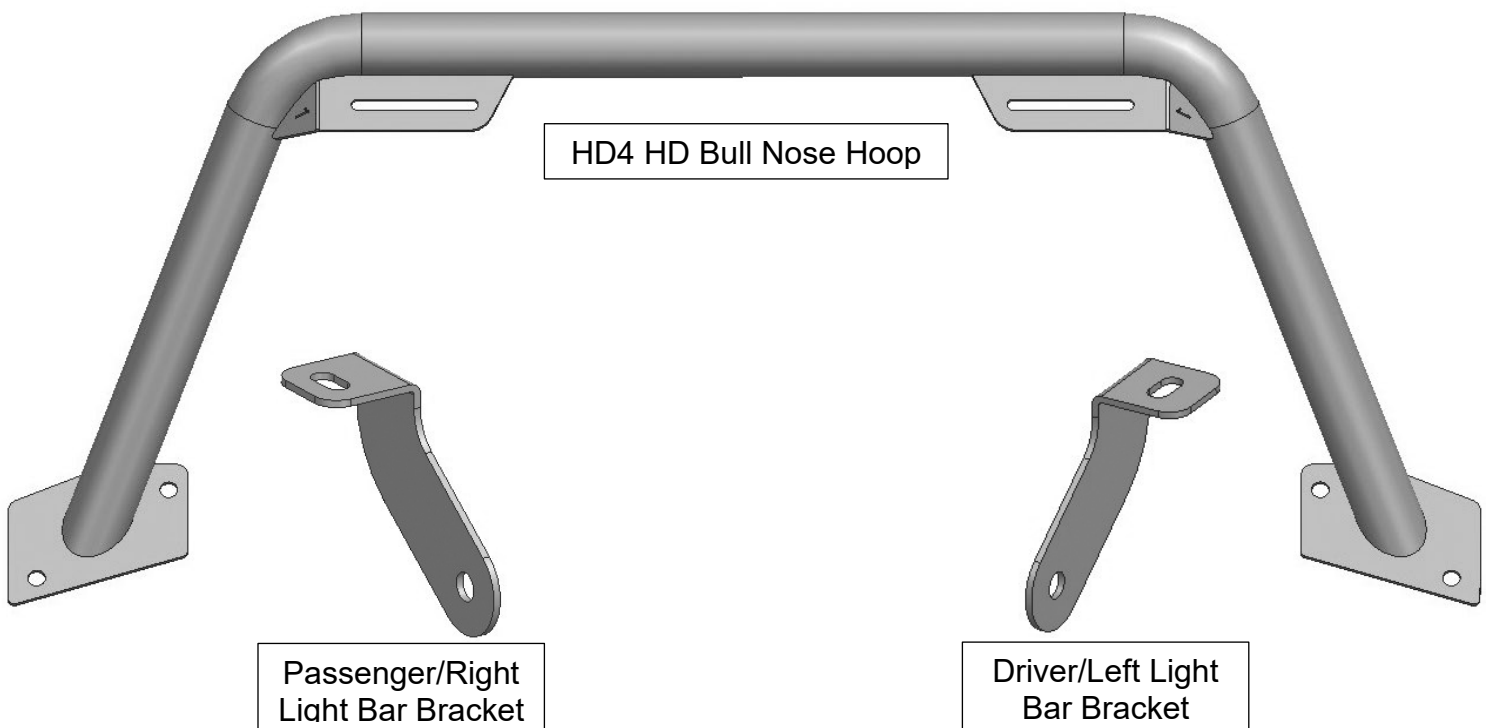


Installation Instructions

PARTS LIST:

Qty	Item Description	Qty	Item Description
1	HD4 Skid Plate	2	8 – 1.25mm x 25mm Hex Bolts
1	HD4 HD Bull Nose Hoop	2	8 – 1.25mm x 16mm Hex Bolts
1	Driver/left Light Mount Bracket	14	8mm x 24mm OD x 2mm Large Flat Washers
1	Passenger/right Light Mount Bracket	8	8mm Lock Washers
3	10 – 1.5mm x 30mm Button Head Bolts	6	8mm Hex Nuts
3	10mm x 27mm OD x 3mm Flat Washers	1	6mm Allen Wrench
3	10mm Lock Washers	1	5mm Allen Wrench
4	8 – 1.25mm x 25mm Button Head Bolts		



HD4 Skid Plate



Lock Washer



Flat Washer



Hex Bolt



Button Head Allen Bolt

TOOLS REQUIRED



Ratchet



13, 18, & 19mm Socket



Extensions



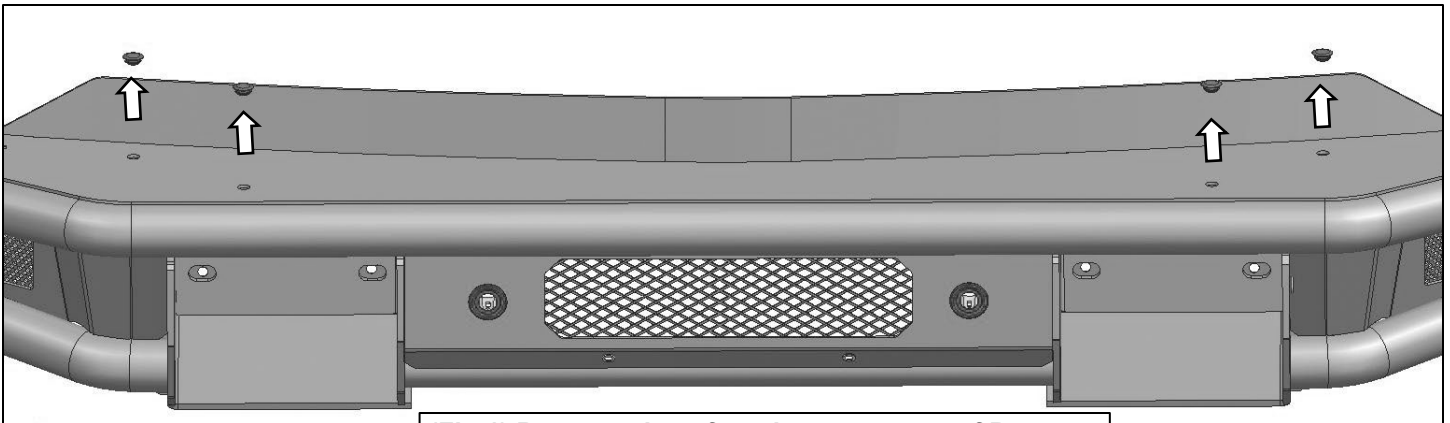
Allen Wrench



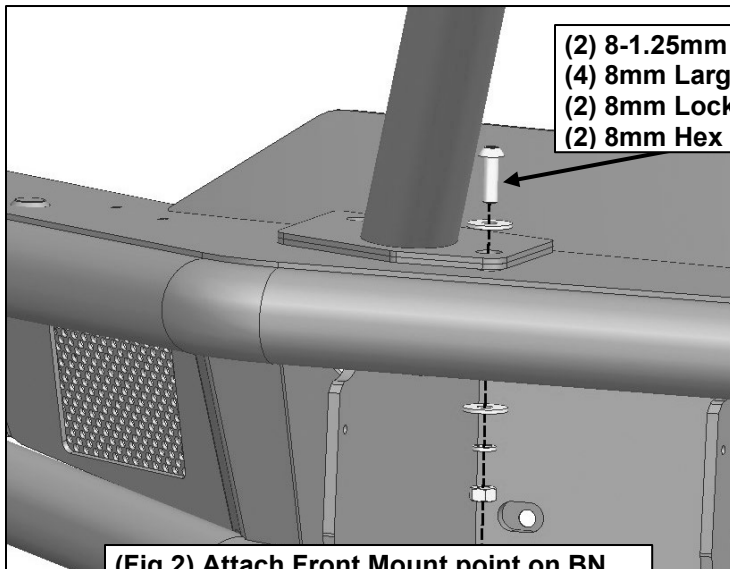
Wrench

1

Follow (Fig 1 – 7) to attach HD BN Hoop to LD Bumper, then attach LED Brackets and LED Light as necessary. Ensure BN Hoop is level before tightening fasteners.

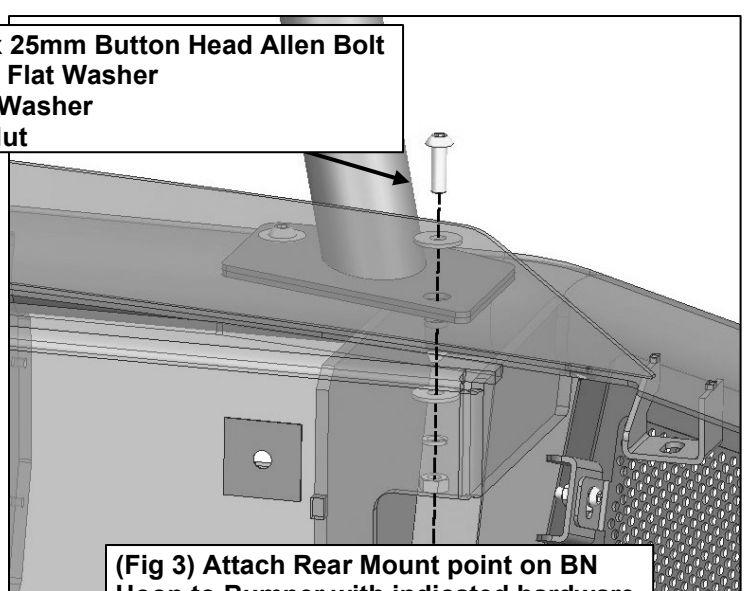


(Fig 1) Remove plugs from inserts on top of Bumper



(Fig 2) Attach Front Mount point on BN Hoop to Bumper with indicated hardware.

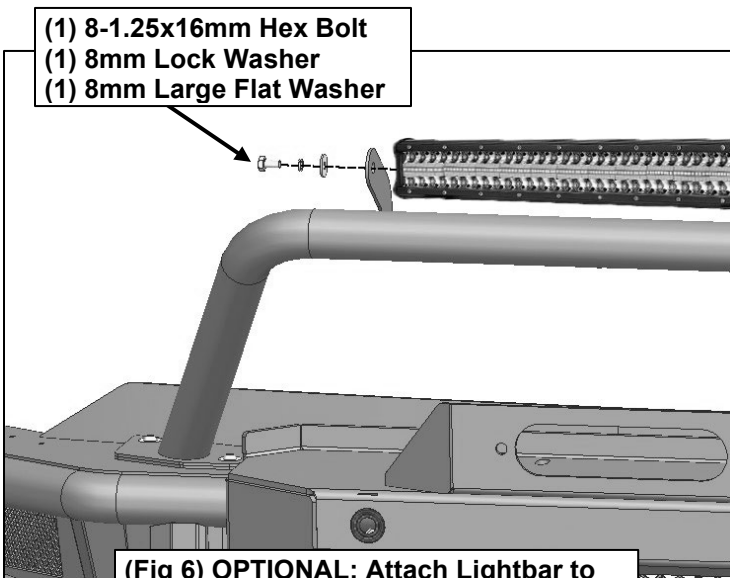
- (2) 8-1.25mm x 25mm Button Head Allen Bolt
- (4) 8mm Large Flat Washer
- (2) 8mm Lock Washer
- (2) 8mm Hex Nut



(Fig 3) Attach Rear Mount point on BN Hoop to Bumper with indicated hardware and repeat on DS of BN Loop.

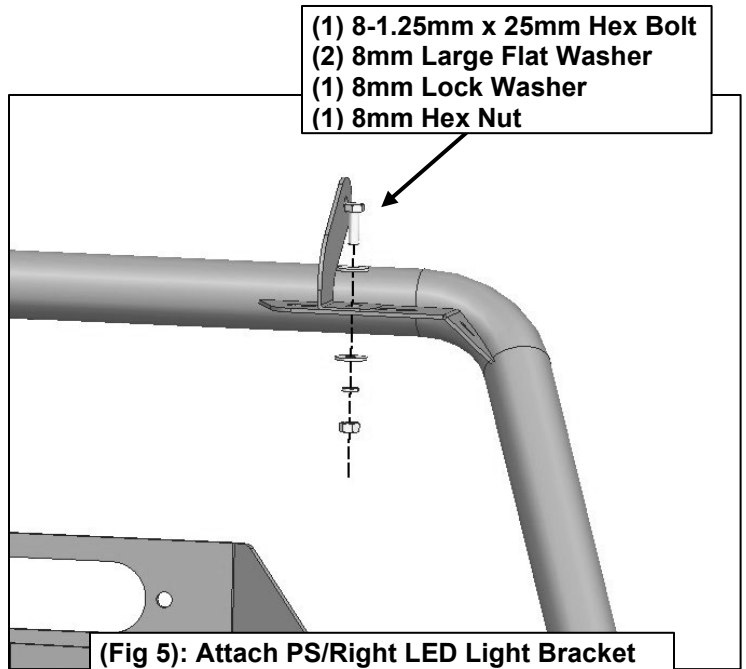


(Fig 4) Attached BN Hoop to Bumper



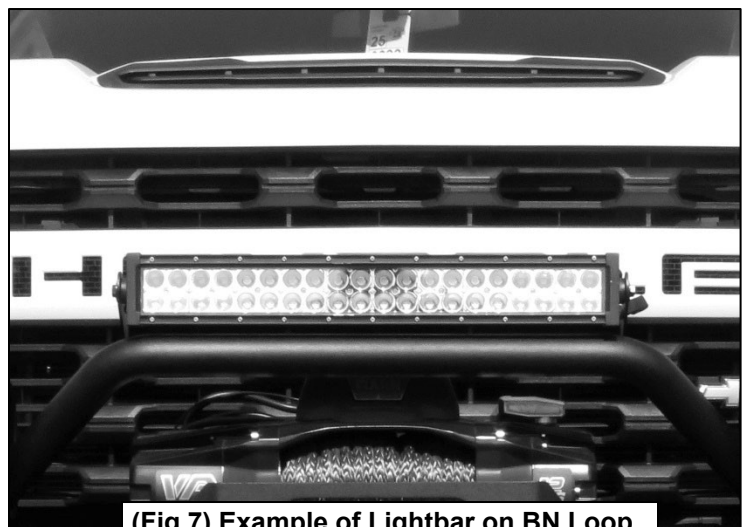
- (1) 8-1.25x16mm Hex Bolt
- (1) 8mm Lock Washer
- (1) 8mm Large Flat Washer

(Fig 6) OPTIONAL: Attach Lightbar to LED Bracket with indicated hardware. (NOTE: Lightbar not included)



- (1) 8-1.25mm x 25mm Hex Bolt
- (2) 8mm Large Flat Washer
- (1) 8mm Lock Washer
- (1) 8mm Hex Nut

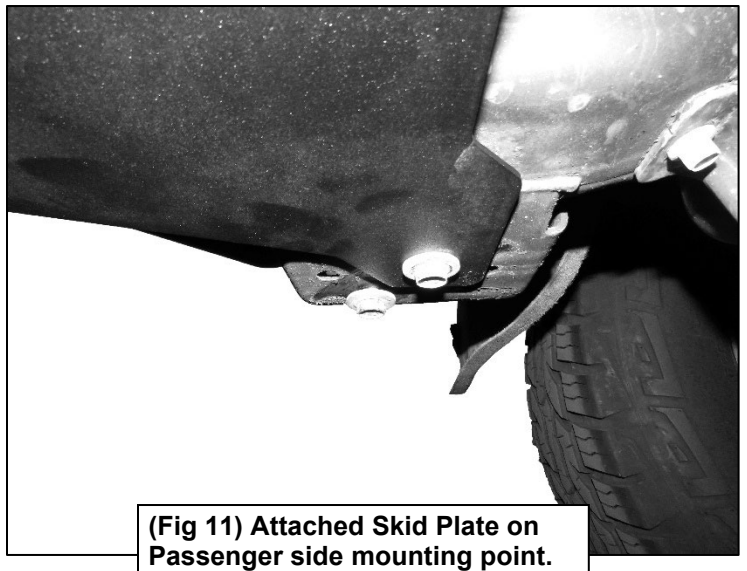
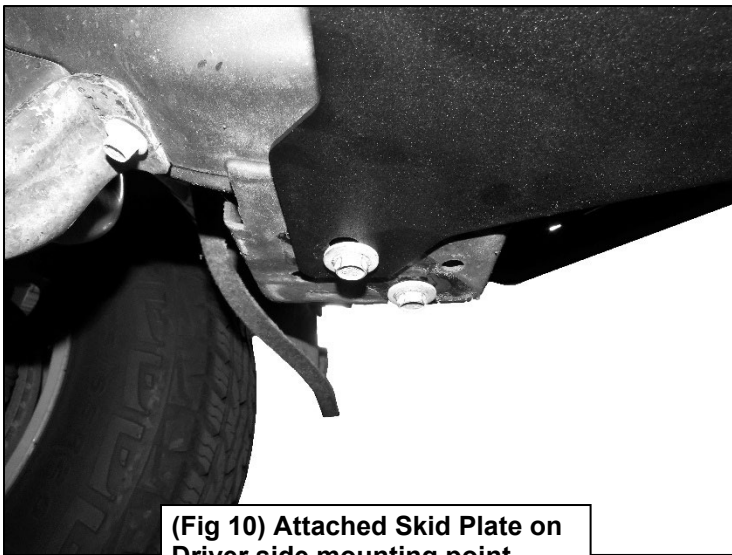
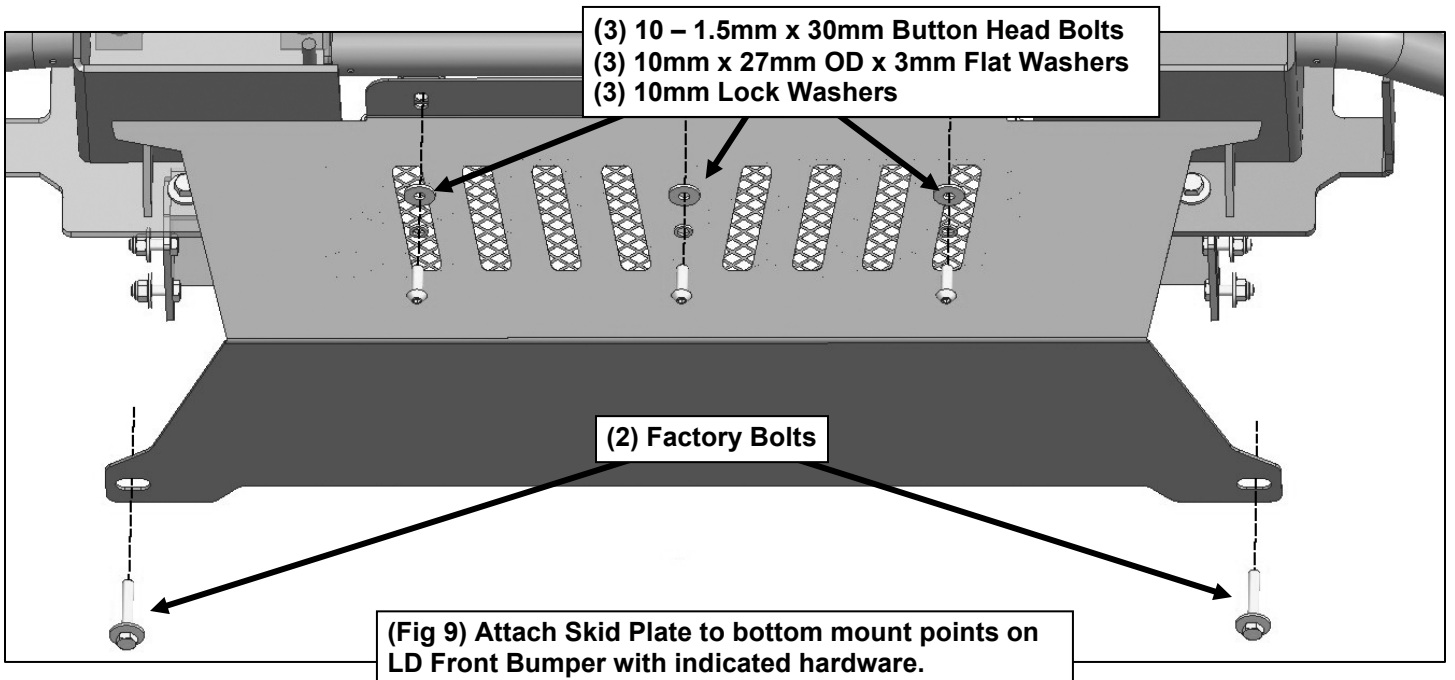
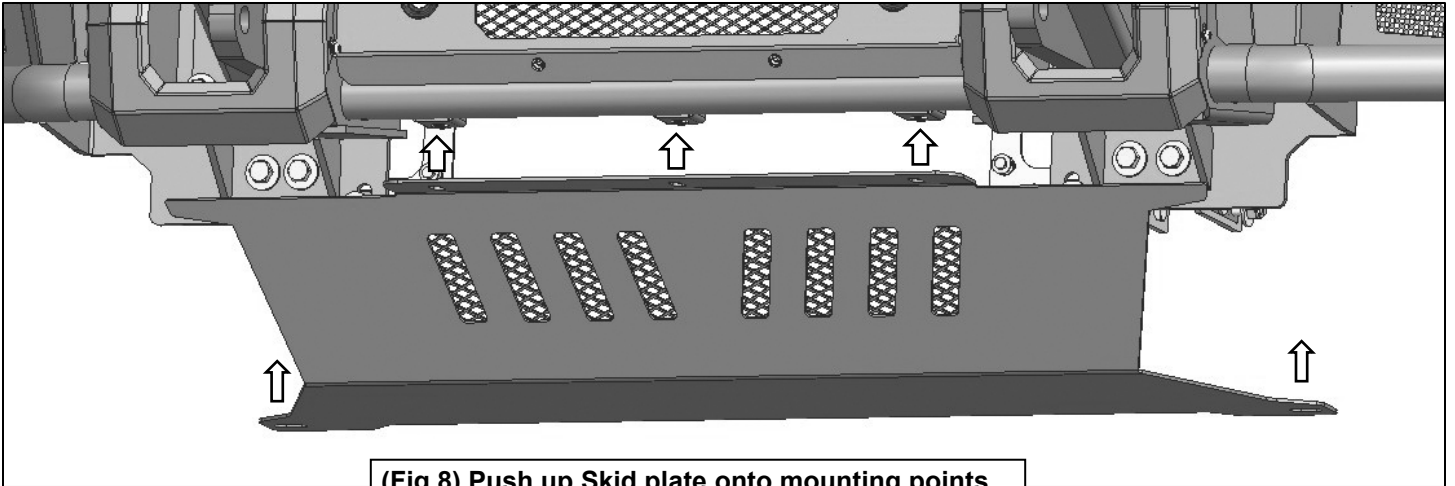
(Fig 5): Attach PS/Right LED Light Bracket to top of BN Hoop with indicated hardware and repeat for DS/Left LED Light Bracket.



(Fig 7) Example of Lightbar on BN Loop. (NOTE: Lightbar not included)

2

Follow (Fig 8 – 11) to attach Skid Plate onto LD Front Bumper. Ensure hardware from previous steps are tight at this point.



3

Ensure HD BN Loop and Skid Plate are level, and all fasteners are tightened at this point, then ensure all connections are secure. Installation is complete. Do periodic inspections to the installation to make sure that all hardware is secure and tight.



Complete Installation (Light and Winch not included)