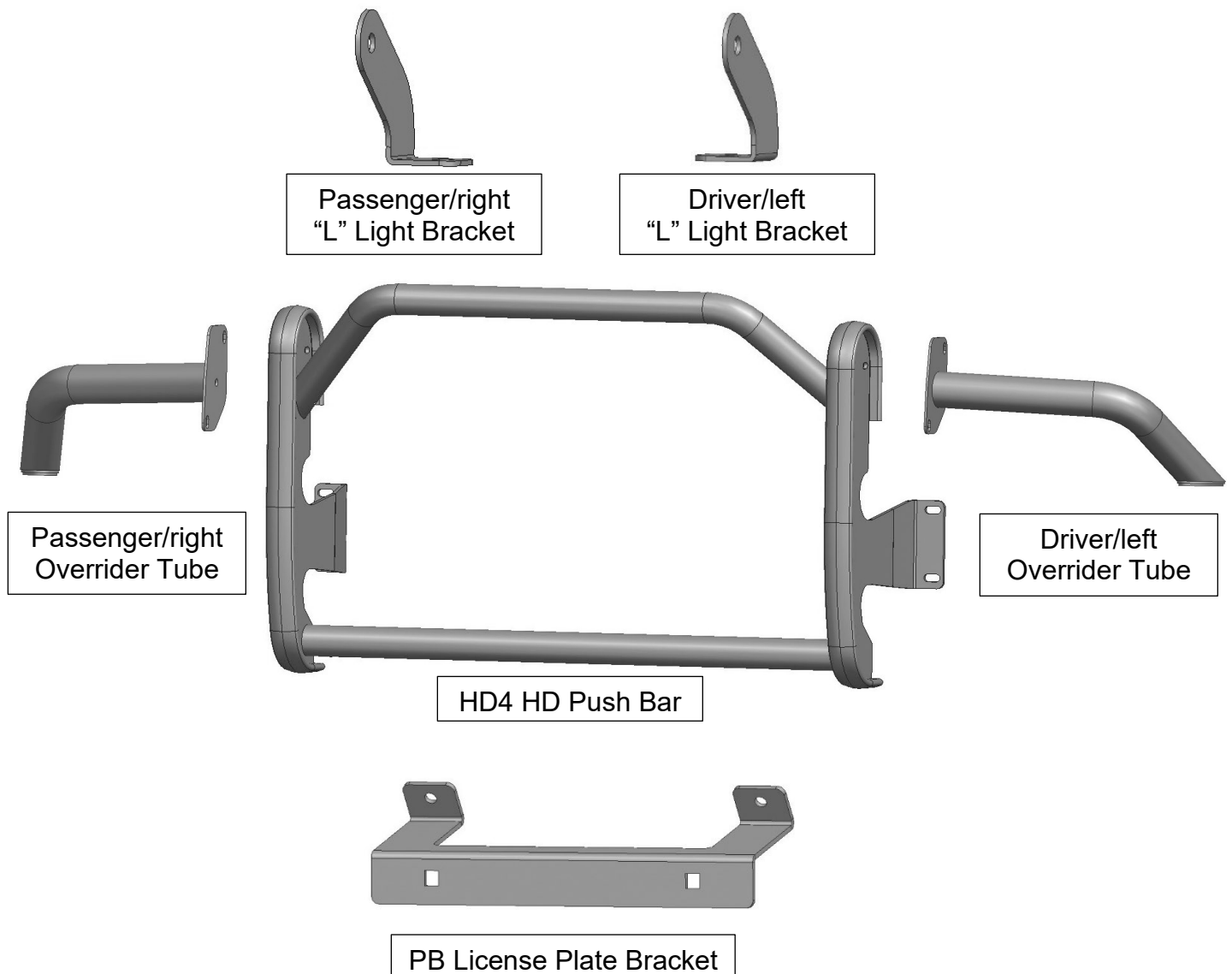


## Installation Instructions

### PARTS LIST:

Qty	Item Description	Qty	Item Description
1	HD4 HD Push Bar	10	8mm Lock Washers
1	Driver/left Overrider Tube	6	8mm Hex Nuts
1	Passenger/right Overrider Tube	8	8mm x 16mm x 1.6mm Small Flat Washers
2	License Plate Plastic Plug	2	8-1.25mm x 16mm Hex Bolts
2	6-1.0mm x 20mm Button Head Combo Bolts	2	12mm Nylon Lock Nuts
1	Driver/left "L" Light Bracket	2	12mm x 24mm x 2.5mm Flat Washers
1	Passenger/right "L" Light Bracket	8	10mm x 30mm x 2.5mm Flat Washers
1	PB License Plate Bracket	8	10-1.75mm x 60mm Hex Bolts
8	10mm Plastic Retainers	8	10mm Lock Washers
4	8-1.25mm x 25mm Hex Bolts	1	4mm Wrench
8	8mm x 24mm x 2mm STD Flat Washers	1	5mm Wrench
4	8-1.25mm x 25mm Button Head Bolts		

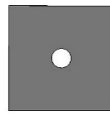




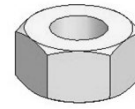
Lock Washer



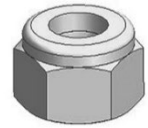
Flat Washer



Plastic Retainer



Hex Nut



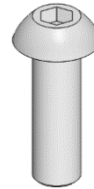
Nylon Lock Nut



Button Head Combo Bolt



Hex Bolt



Button Head Bolt

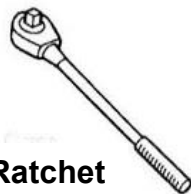


Plastic Plug for License Plate Mount

**TOOLS REQUIRED**



Allen Wrench



Ratchet



13mm Socket



Extensions



Wrench

**1**

Follow (Fig 1 – 17) to attach HD Push Bar and connect Override Tube to LD Bumper, then attach LED Brackets and LED Light as necessary. Ensure HD Push Bar is level before tightening fasteners. (Refer to HD4 HD Winch Tray Installation Instructions, continue from Fig 3)

(1) 12mm Nylon Lock Nut  
(1) 12mm x 24mm Flat Washer

(4) 10mm x 60mm Hex Bolts  
(4) 10mm Lock Washers  
(4) 10mm Flat Washers

(1) 12mm Nylon Lock Nut  
(1) 12mm x 24mm Flat Washer

(Fig 1) Attach Passenger/right Winch Tray to threaded inserts and threaded stud on bumper with the indicated hardware.

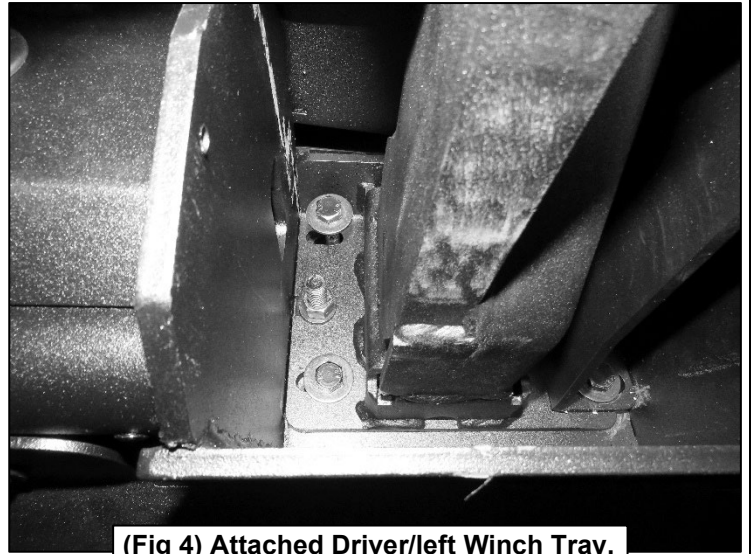
**NOTE:** Only inner hardware is installed at this time.

(Fig 2) Attach Driver/left Winch Tray to threaded inserts and threaded stud on bumper with the indicated hardware.

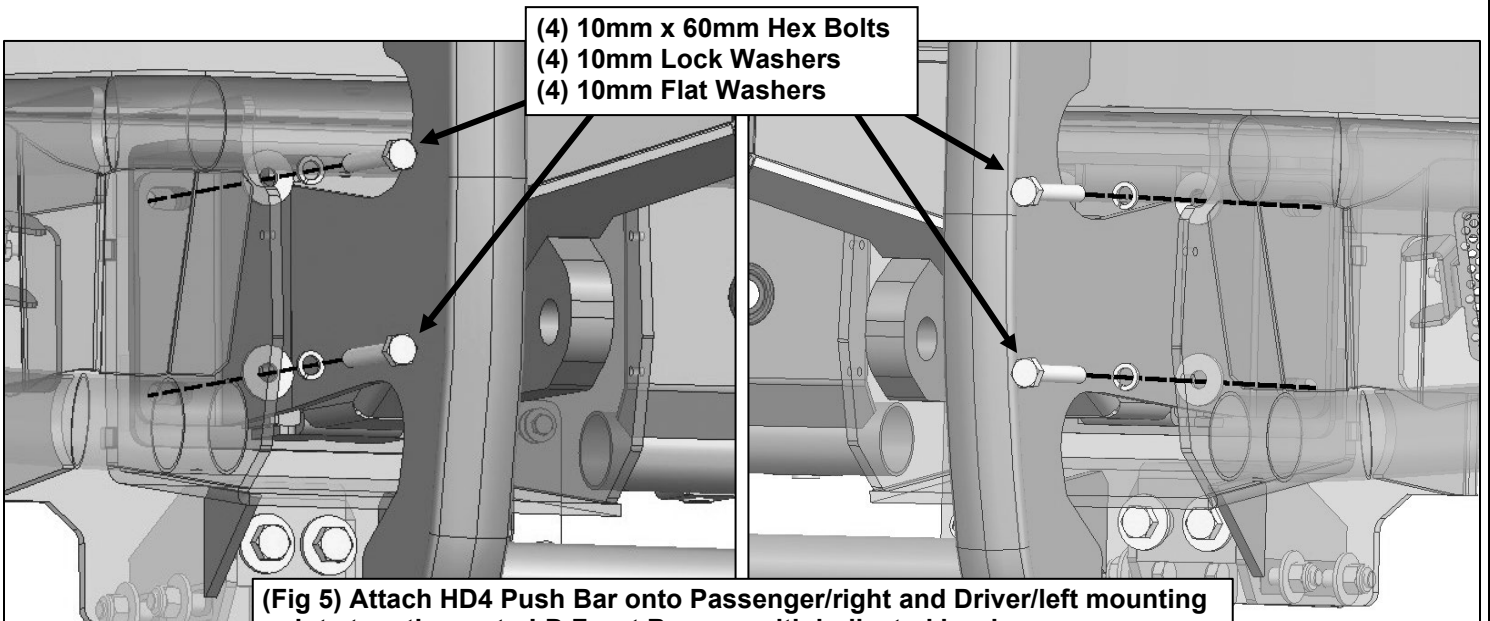
**NOTE:** Only inner hardware is installed at this time.



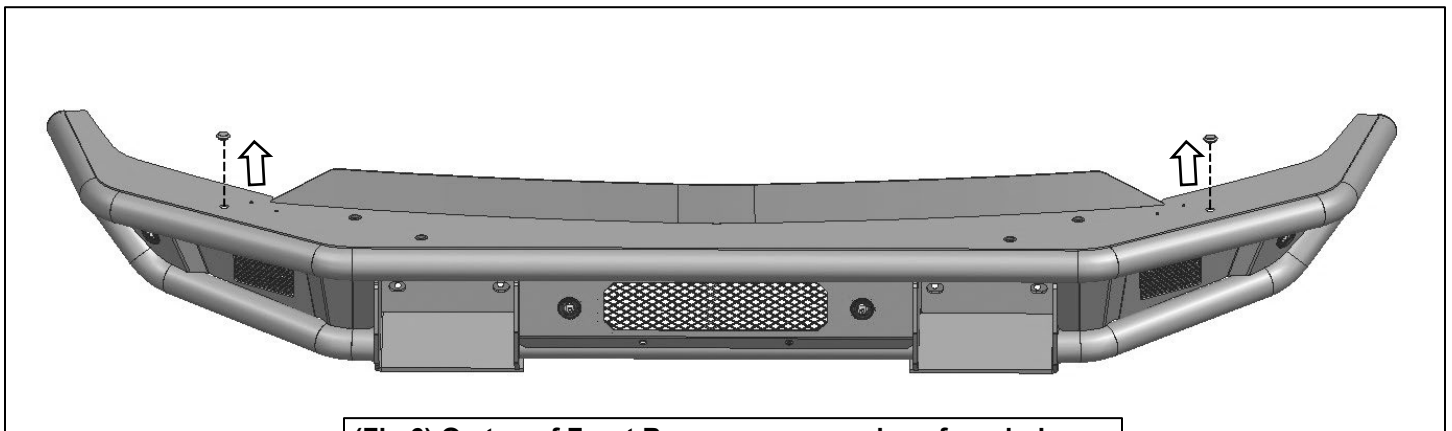
(Fig 3) Attached Passenger/right Winch Tray.



(Fig 4) Attached Driver/left Winch Tray.

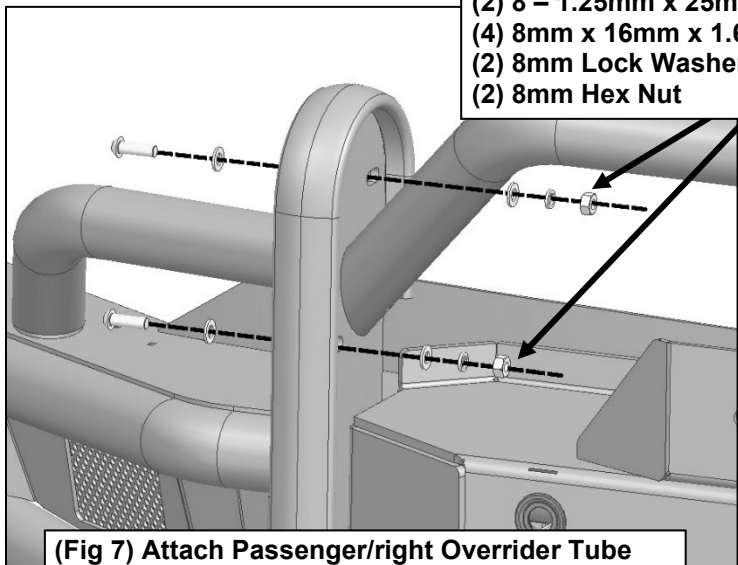


(Fig 5) Attach HD4 Push Bar onto Passenger/right and Driver/left mounting points together onto LD Front Bumper with indicated hardware.



(Fig 6) On top of Front Bumper, remove plugs from holes.

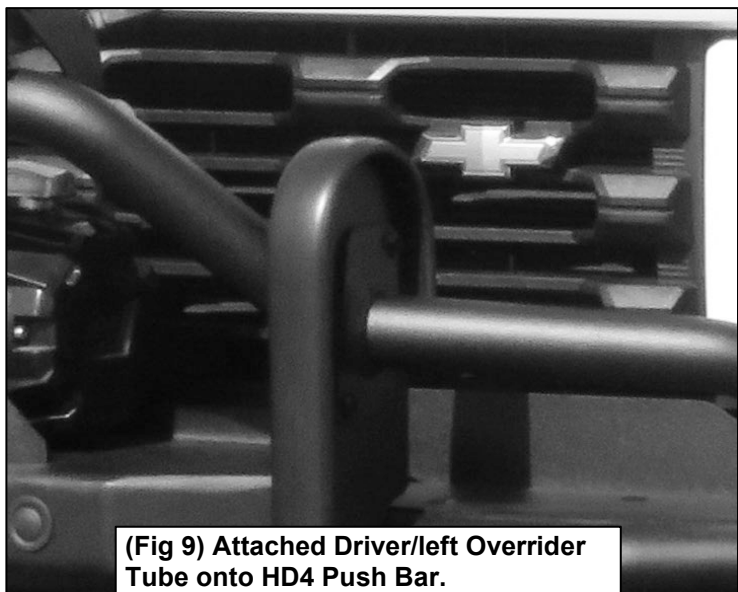
- (2) 8 – 1.25mm x 25mm Button Head Bolts
- (4) 8mm x 16mm x 1.6mm Flat Washers
- (2) 8mm Lock Washer
- (2) 8mm Hex Nut



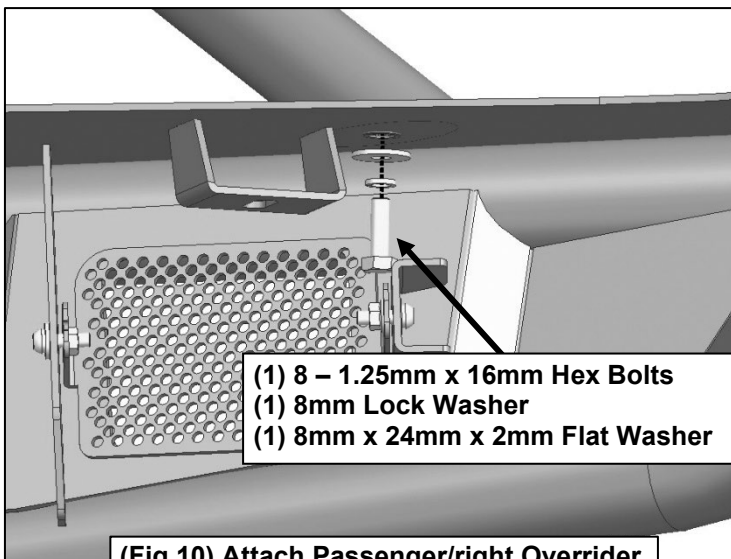
**(Fig 7) Attach Passenger/right Override Tube onto HD4 Push Bar with indicated hardware.**



**(Fig 8) Attached Passenger/right Override Tube onto HD4 Push Bar.**



**(Fig 9) Attached Driver/left Override Tube onto HD4 Push Bar.**

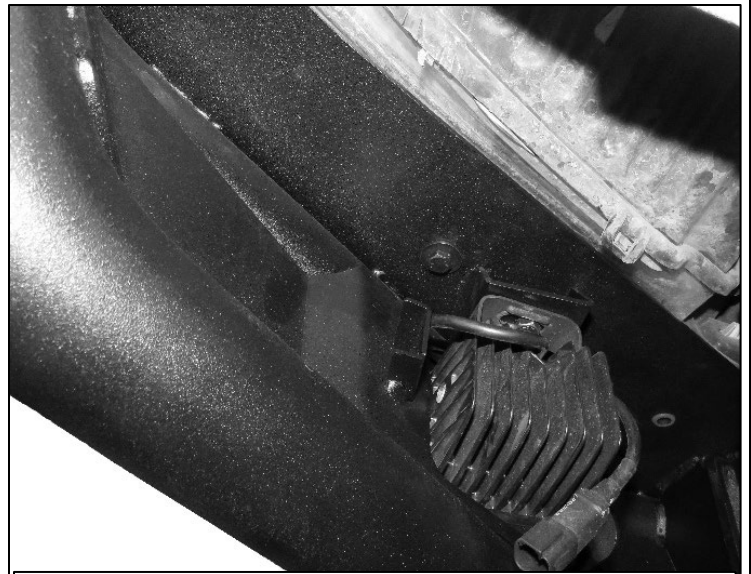


- (1) 8 – 1.25mm x 16mm Hex Bolts
- (1) 8mm Lock Washer
- (1) 8mm x 24mm x 2mm Flat Washer

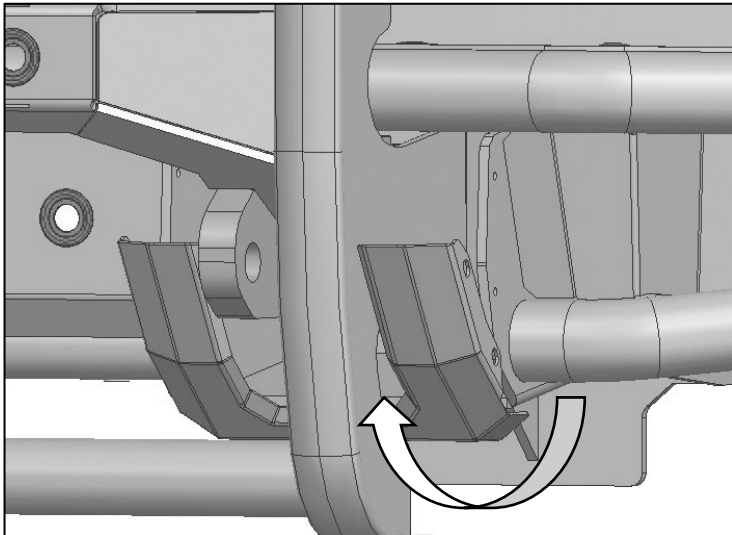
**(Fig 10) Attach Passenger/right Override Tube to Bumper with indicated hardware.**



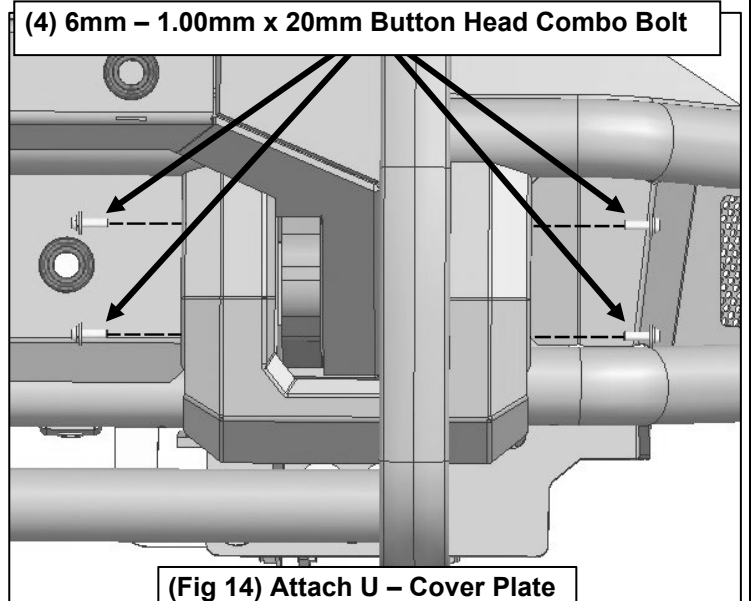
(Fig 11) Attached Passenger/right Ovrider Tube to Bumper and repeat for Driver/left Ovrider Tube.



(Fig 12) Attached Driver/left Ovrider Tube to Bumper.

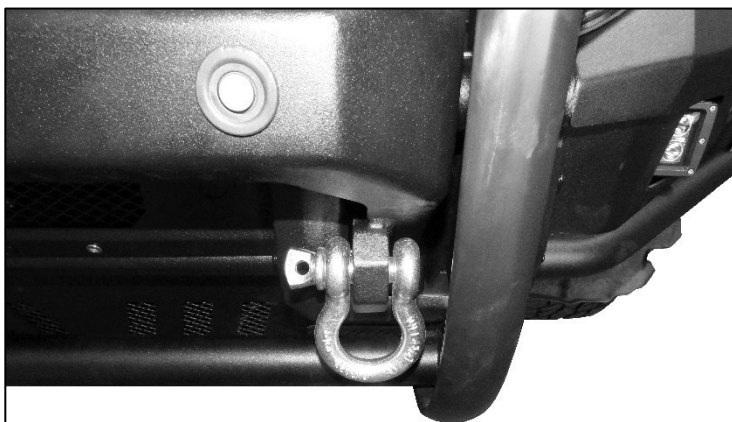


(Fig 13) Slide in U – Cover Plate from behind HD Push Bar to attach to Bumper.



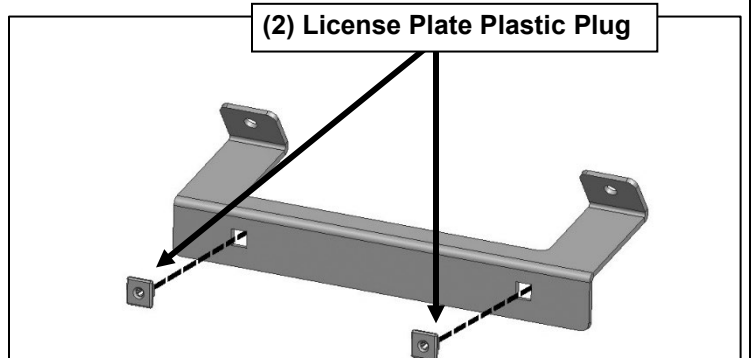
(4) 6mm – 1.00mm x 20mm Button Head Combo Bolt

(Fig 14) Attach U – Cover Plate with indicated hardware.



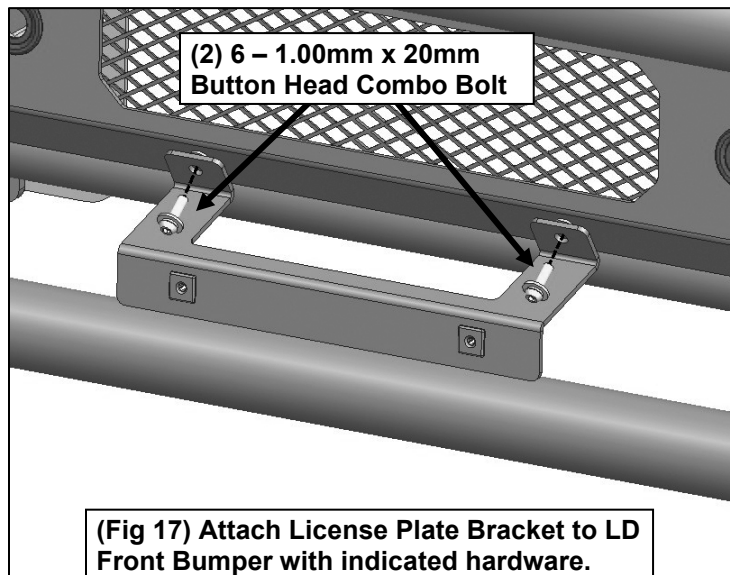
(Fig 15) Attached U-Cover Plate on Driver side and repeat on other side.

**NOTE:** Tow Hook not included

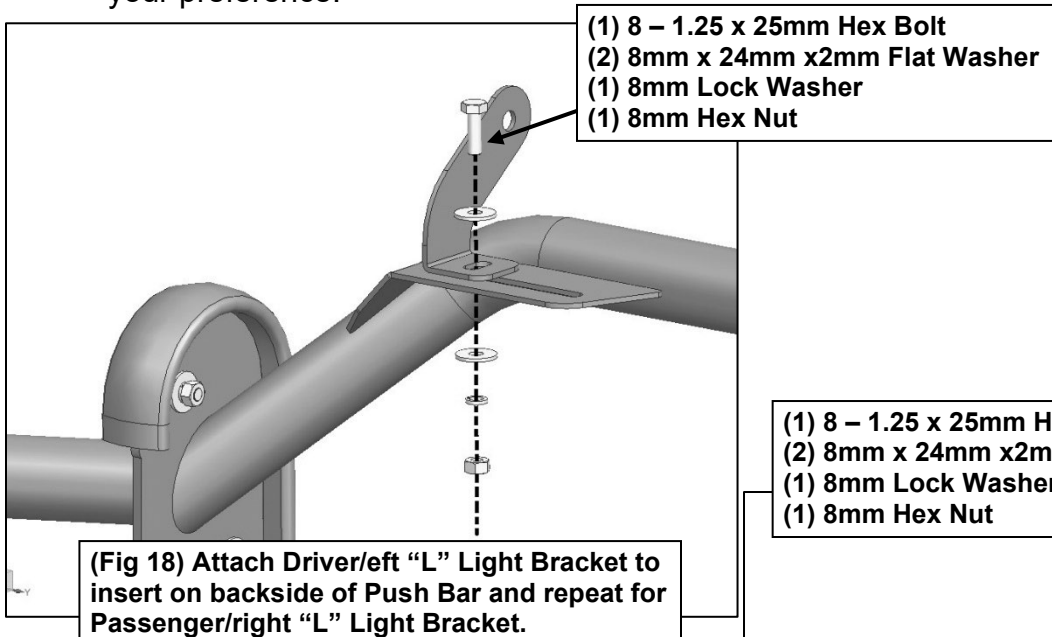


(2) License Plate Plastic Plug

(Fig 16) Attach License Plate Plastic Plugs to License Plate Bracket.

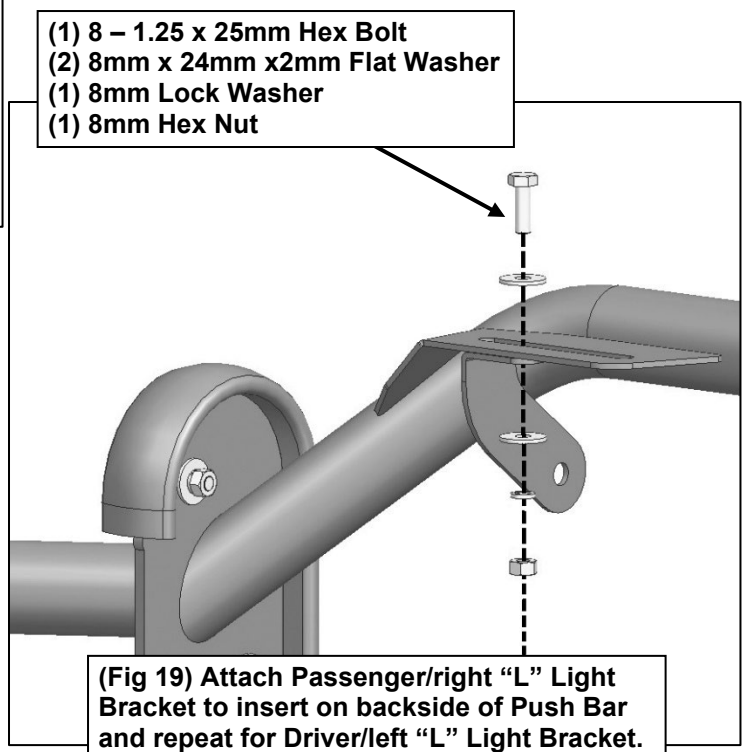


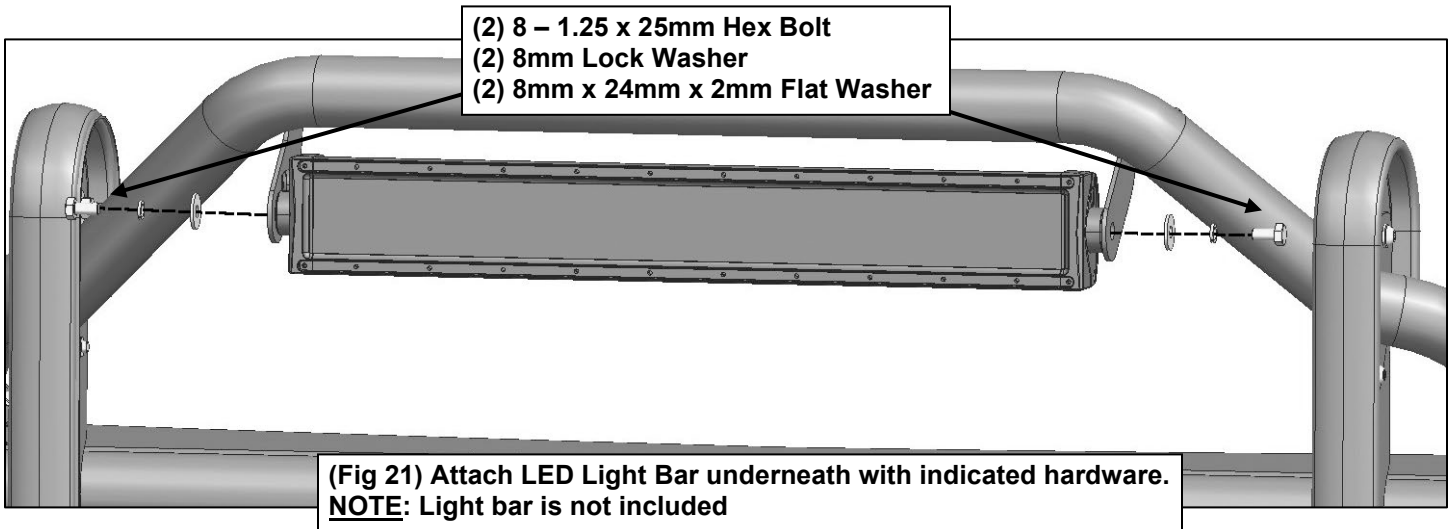
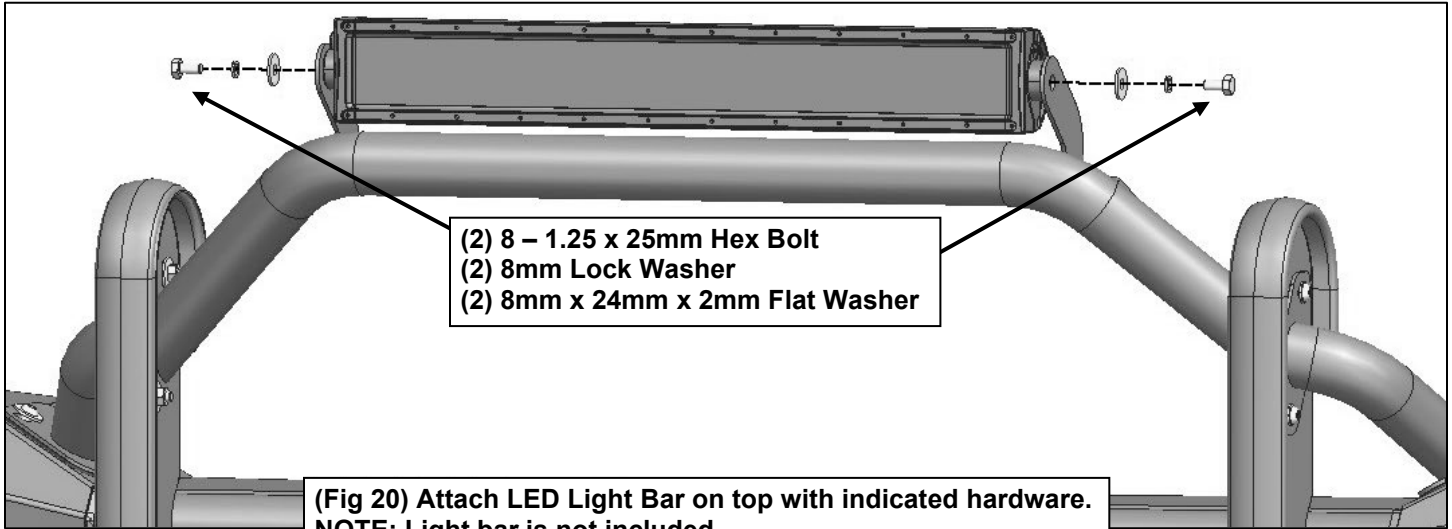
**2** Follow (Fig 18 - 21) to attach LED Brackets and LED Bar (not included). Ensure all fasteners are hand tightened at this point. Orientation of LED Light Brackets based on your preference.



**RECOMMENDED!**  
Attach LED Light Bracket, orientate LED Light Bracket upward.

**OPTIONALLY!**  
Attach LED Light Bracket, orientated downward to cover center grille area for cleaner look.





- 3** Ensure Push Bar is level and properly fit, then tighten all fasteners. Installation is complete. Do periodic inspections to the installation to make sure that all hardware is secure and tight.



Complete Installation (Lightbar, Winch, Skid Plate, and Tow Hooks not included)