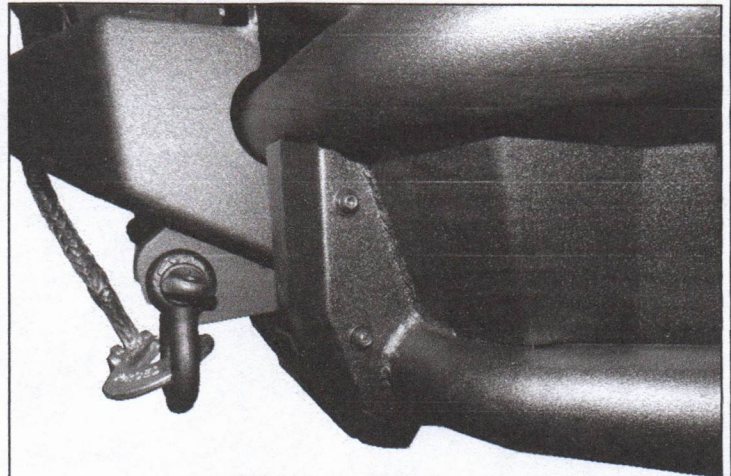


(Fig 10) Attached U – Cover Plate on DS/Left Side. (left side view)
Note: Tow Hook not included



(Fig 10A) Attached U – Cover Plate on DS/Left Side. (right side view)
Note: Tow Hook not included

3

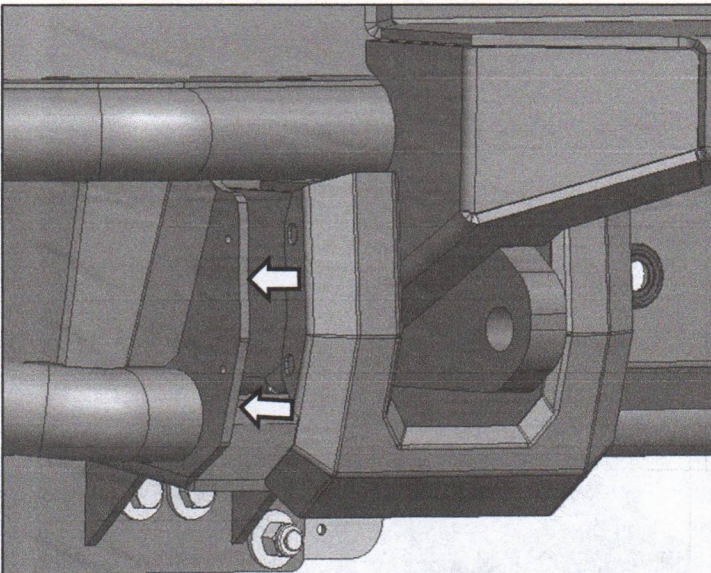
Ensure HD Winch Tray is level, and all fasteners are tightened at this point, then ensure all connections are secure. Installation is complete. Do periodic inspections to the installation to make sure that all hardware is secure and tight.



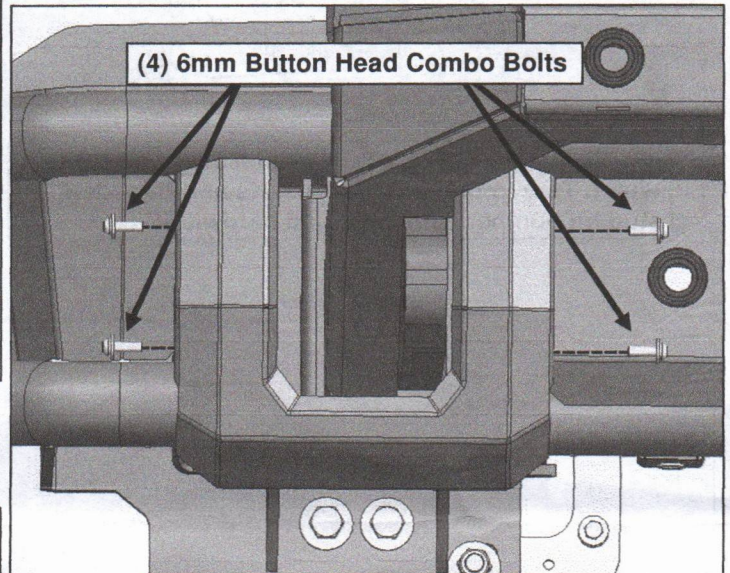
Complete Installation (Bull Nose, Lights, Tow Hooks, Skid Plate, and Winch not included)

2

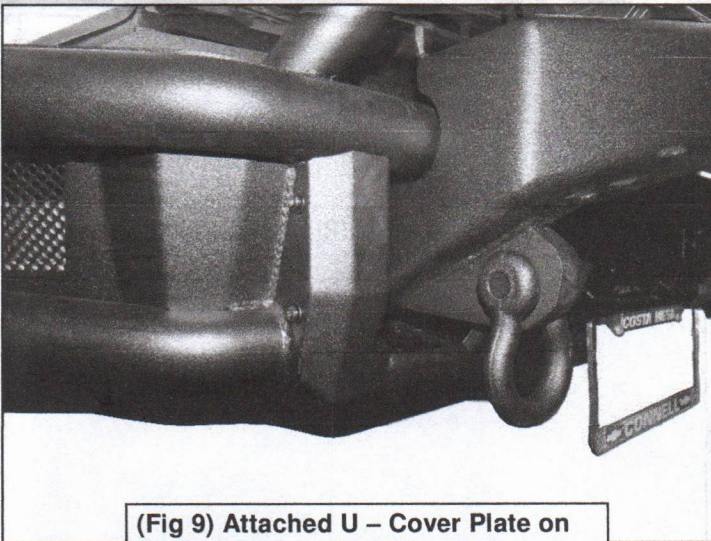
Follow (Fig 7 – 10) to attach Bumper Cover Plates to LD Front Bumper. Ensure hardware from previous steps are tight at this point. After (Fig 10) refer to HD4 Tubular LD Front Bumper Installation Instructions, continue from Fig 50 to finish installation)



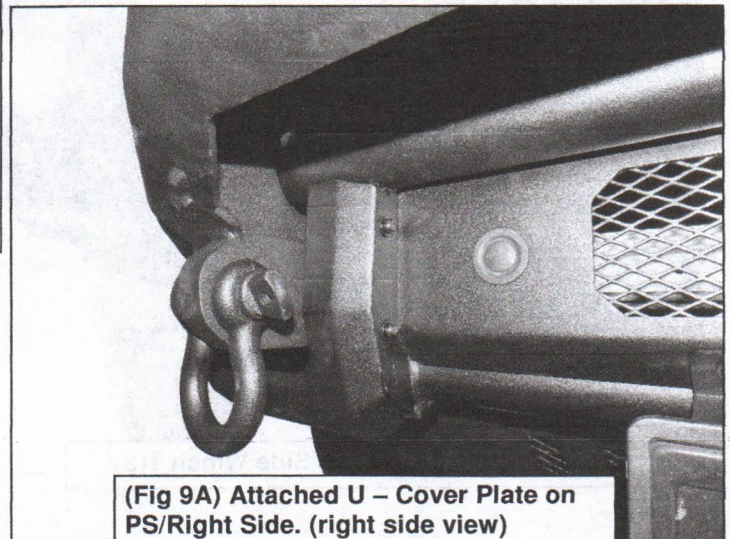
(Fig 7) Place U – Cover Plate over mounting holes.



(Fig 8) Attach U – Cover Plate with indicated hardware and repeat for DS/Left Side.



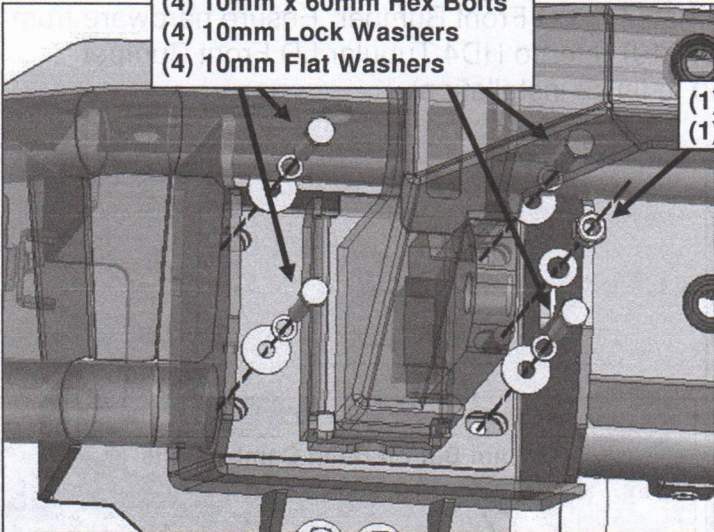
(Fig 9) Attached U – Cover Plate on PS/Right Side. (left side view)
Note: Tow Hook not included



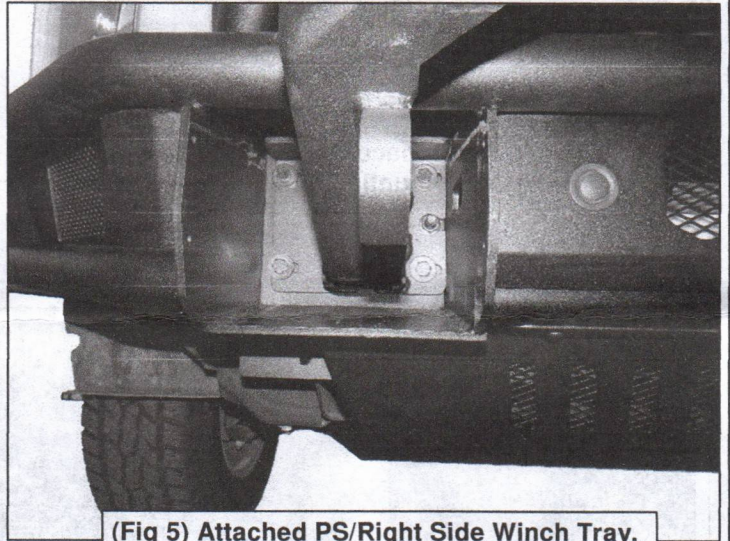
(Fig 9A) Attached U – Cover Plate on PS/Right Side. (right side view)
Note: Tow Hook not included

- (4) 10mm x 60mm Hex Bolts
- (4) 10mm Lock Washers
- (4) 10mm Flat Washers

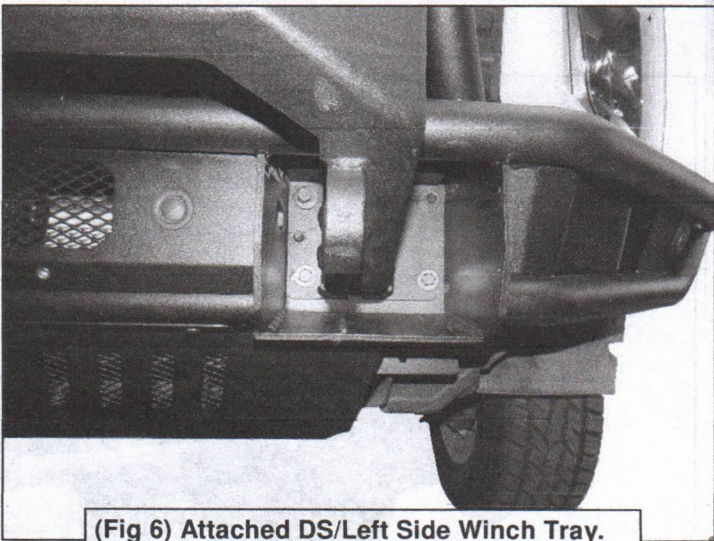
- (1) 12mm Nylon Lock Nut
- (1) 12mm x 24mm x 2.5mm Small Flat Washers



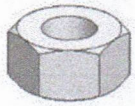
(Fig 4) Attach PS/Right Side Winch Tray and DS/Left Winch Tray to the threaded inserts and threaded stud on bumper with indicated hardware.



(Fig 5) Attached PS/Right Side Winch Tray.



(Fig 6) Attached DS/Left Side Winch Tray.



Hex Nut



Nylon Lock Nut



Lock Washer



Flat Washer



Hex Bolt



Button Head Allen Bolt

TOOLS REQUIRED



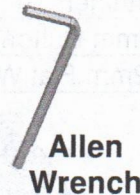
Ratchet



13, 18, & 19mm Socket



Extensions



Allen Wrench



Wrench

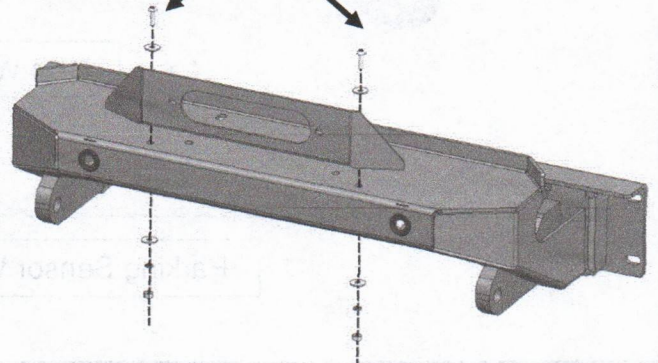
1

Follow (Fig 1 – 6) to attach HD Winch Tray to LD Front Bumper. Ensure Winch Tray is level before tightening fasteners. (Refer to HD4 LD Front Bumper Installation Instructions, continue from Fig 26)



(Fig 1) Locate mounting holes on Winch Tray.

- (2) 8 – 1.25mm x 25mm Button Head Bolts
- (4) 8mm x 24mm x 2mm Flat Washers
- (2) 8mm Lock Washers
- (2) 8mm Hex Nuts



(Fig 2) Attach Fairlead Mount to the top of Winch Tray with indicated hardware.



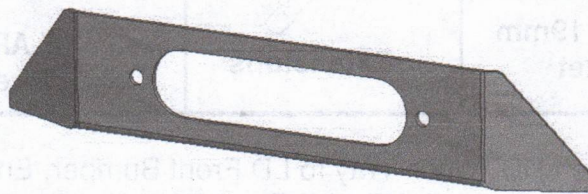
(Fig 3) Attached Fairlead Mount to Winch Tray.

WARNING! Winch must be installed on winch tray before installation onto bumper.
Note: Winch not included

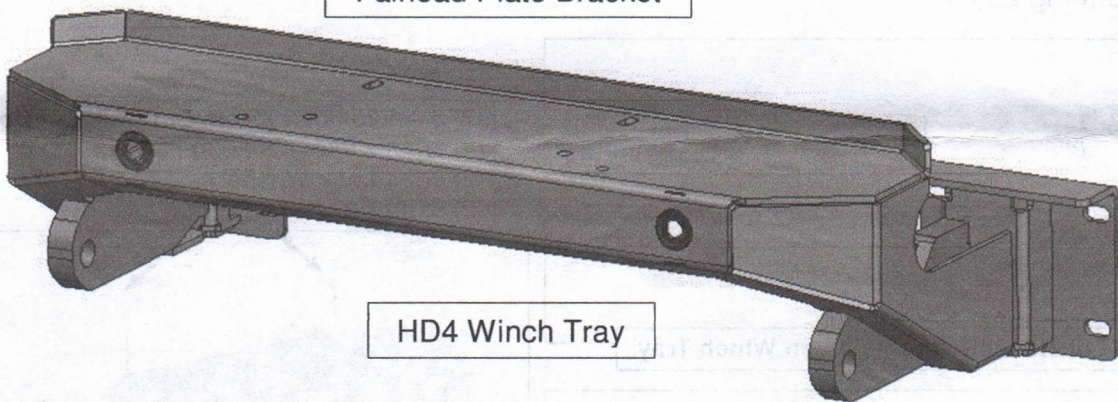
Installation Instructions

PARTS LIST: HS78944

Qty	Item Description	Qty	Item Description
1	HD4 Winch Tray	2	8mm Lock Washers
1	Fairlead Plate Bracket	2	8mm Hex Nuts
2	12mm x 24mm x 2.5mm Small Flat Washers	1	5mm Allen Wrench
2	12mm Nylon Lock Nuts	4	4mm x 15mm Flat Head Self Tapping Screws
8	10 – 1.75mm x 60mm Hex Bolts	2	Sensor Hole Plugs
8	10mmx 30mm x 2.5mm Large Flat Washers	2	Sensor Retaining Caps
8	10mm Lock Washers	2	20mm x 10mm Foam Spacers
8	10mm Plastic Retainers	2	15.5mm x 25mm x 2mm Foam Washers
2	8 – 1.25mm x 25mm Button Head Bolts	2	Parking Sensor Wire Extension Harnesses
4	8mm x 24mm x 2mm Flat Washers		



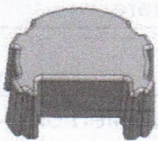
Fairlead Plate Bracket



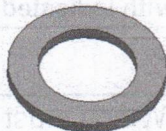
HD4 Winch Tray



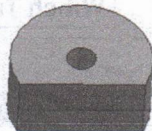
Parking Sensor Wire Extension Harnesses



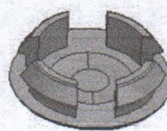
Sensor Retaining Cap



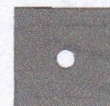
Foam Washer



Retaining Cap



Sensor Hole Plug



Plastic Retainer



Self-Tapping Screw