

## Features/Included:

### Bluetooth relay control box:

- 4 channel. 2 x 30 amp relays, 2 x 10 amp relays, All Solid State
- Battery powered RF Remote with universal mount system
- Bluetooth control from phone/tablet app
- Manual buttons for on/off on top of case
- 12-24 volt input, 3 wires, ground, switched positive, battery positive
- 12-24 volt out with waterproof connectors
- Fuse's built in, waterproof cover (30 amp - 1 and 2, 10 amp - 3 and 4)
- LED's to indicate relay on and if a fuse is blown
- Waterproof case design, withstands temps to 250 deg. F and -20 deg F.
- Solderless terminals included for connecting to battery

### RF Remote:

- RF connection to control box
- Replaceable battery power
- Back lit with press of button, delayed off for the back light.
- Sticker sheet included for labeling the buttons

### Phone Control:

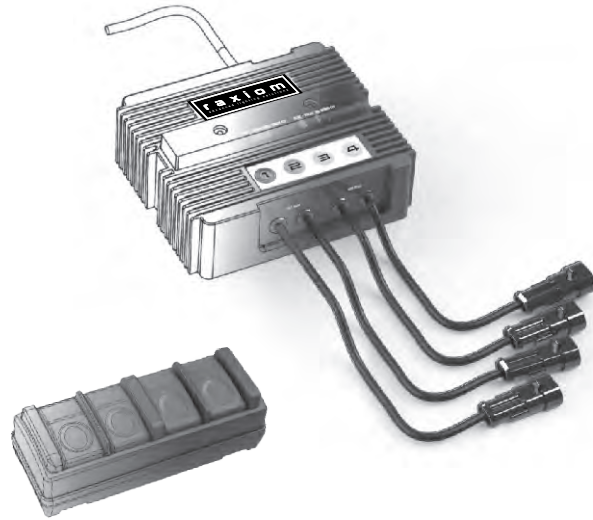
- Apps for both Android and iOS. Simple interface allows power control to each of the four channels. User expandable up to 8 buttons
- App stays on when in use as long as plugged into power. If not plugged in goes to stand by

### Harnesses:

- Wire harnesses with the mating waterproof connector to the control box on one end and blank wires on the other
- 2 x 10 gauge, 2 x 12 gauge included
- Harnesses include vinyl shroud



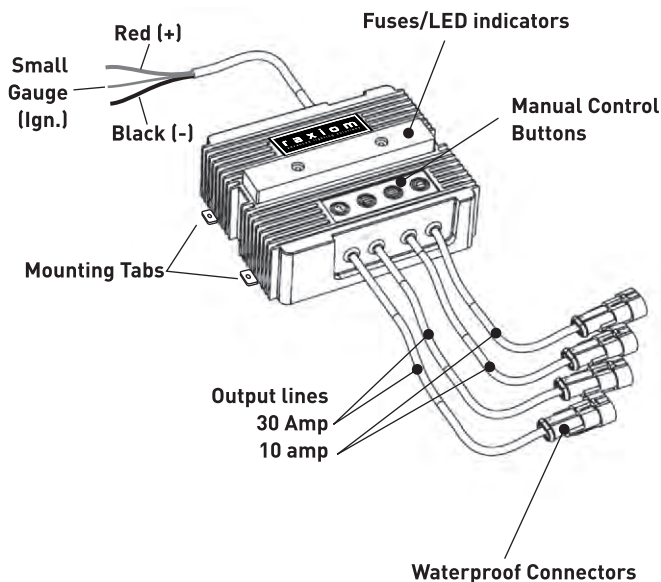
## Accessory Control System



# Quick Start Guide

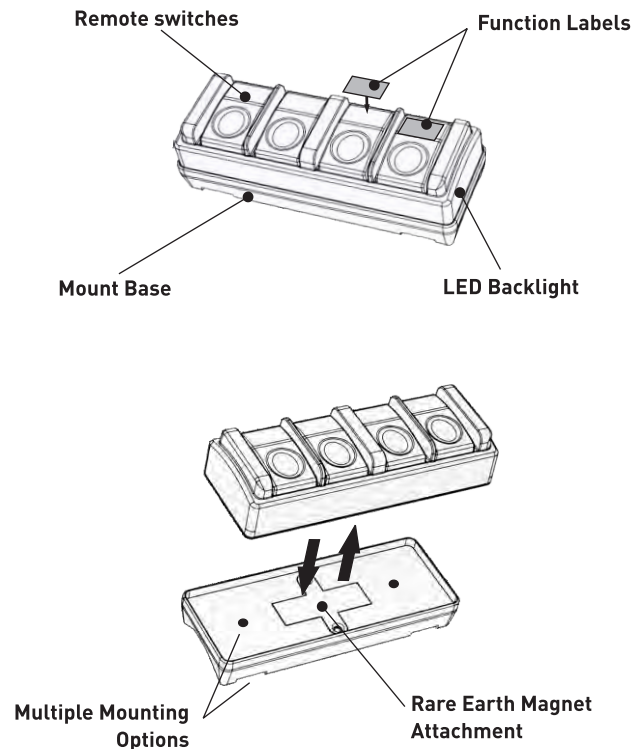
## Control Module Features/Functions

Red = Line In from battery  
Black = Ground  
Small Gauge = Ignition



**CAUTION:** Do not exceed the recommended amperage limits shown here, may cause damage to the control module.

## RF Remote Features/Functions



## Control Module Mounting/Installation

1) Mount the control module as close to the battery as possible. Use the mounting tabs on the body to securely install the module.  
**NOTE:** If extending the input wires, be sure to use wires of equivalent or greater gauge to the ones on the module.

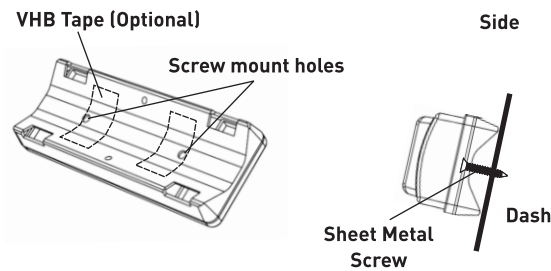
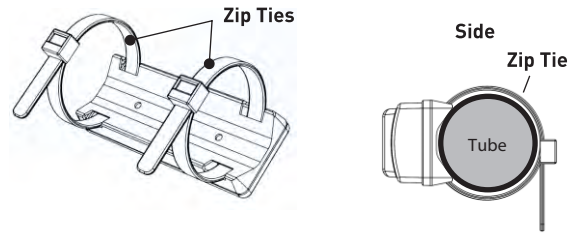
2) Use the included solderless terminals to connect the main input wires (black -, and red +) to the battery.

3) You can choose to connect the small gauge ignition wire to an ignition activated circuit or connect it directly to the battery. If it is connected directly, the ACS system will always be on and does not draw a very small amount of power from the battery. **NOTE:** The draw is equivalent to a remote door lock system on newer cars, it would take several weeks to drain the battery. This will also mean that the lights can be activated by the remote without the ignition on.

4) Install accessories and use the included harnesses to connect to the main module with the waterproof connectors. **NOTE:** Be sure to use the correct gauge wiring harness for the circuit you are using. 1 and 2 are the higher amperage circuits at 30 amps each and should use the 12 gauge harnesses. 3 and 4 are the 10 amp circuits and should use the 14 gauge harnesses.

**NOTE:** Do not exceed the amperage recommendations stated on the unit or here, this may cause the unit to fail and will void the warranty.

## RF Remote Mounting Options

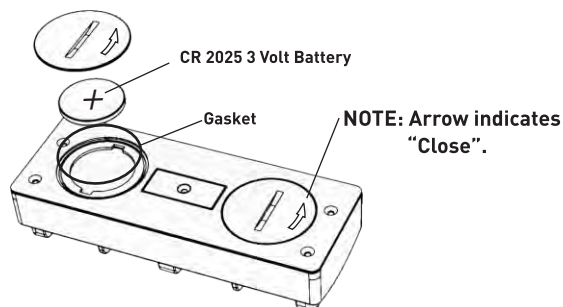


## iOS and Android App Installation

Please go to the Apple App store or the Google Play store to download the free Apps. Search for "Raxiom ACS" to find the App. Download and install then follow the instructions in the App to connect to the Raxiom Control Module.



## RF Remote Battery Installation



Install the CR2025 batteries as shown. Be sure to turn the battery door to the right (clockwise) to open, the arrows indicate the direction to close (counter clockwise).

**NOTE:** Be careful not to lose the gasket when changing/installing batteries. It is important to be sure the remote is waterproof.

## RF Remote Passcode Setting

The Trigger system is designed to allow re-setting of the remote to the control module as required. This is accomplished by re-setting the pass code on the two components. Use this function if there is any interference when using the system or to add more than one system to the same vehicle.

### Control Module:

1) On the **Control module**, press button 1 and 4 at the same time and hold. The number 4 will flash, then the indicator for Channel 4 will come on. Release button 1 and 4.  
 The control box status will now show Channel 4 indicator is ON.

### Remote:

2) On **Remote**, Press key 1 and 4 at the same time and hold. In 5 sec. the back light will shut off. Release key 1 and 4. Now the back light should be flashing. This means the remote is waiting for a password.

3) Choose a new pass code by pressing key 1 and/or 4 on the remote three or more times (press "1, 1, 4," for example) (no limit). After setting the pass code, press key 1 and 4 at the same time, the back light will flash, then shut off, release 1 and 4. This status shows we've quit the password setting process.

### Final step:

4) Press key 2 or 3 on the remote several times until the blue LED indicator for the channel 4 LED on the control box is off.

**Tip:** If the RF remote is in password setting mode, The backlight will flash.