

#6315 - RELAY WIRING HARNESS FOR TWO LIGHTS (For 2 x 130w Lights Maximum)

PARTS INCLUDED IN YOUR WIRING KIT...

- 1 - Complete Pre-terminated Wiring Harness
- 1 - 40A Relay 1 - 20A or 25A Fuse
- 1 - 30A Rocker Switch 1 - 3A Fuse
- 1 - Switch Panel 5 - Screws
- 1 - Wire Splice Connector 6 - Wire Ties

GET YOUR LIGHTS WIRED...

To start, determine where your Lights and Switch will be mounted before installing the Wiring Harness.

Connect the Yellow and White Power Wires Last.
Mount Relay close to the Battery (terminals facing downward)
Relay can be grounded directly to the (-) Negative Terminal of the Battery or Chassis Ground.

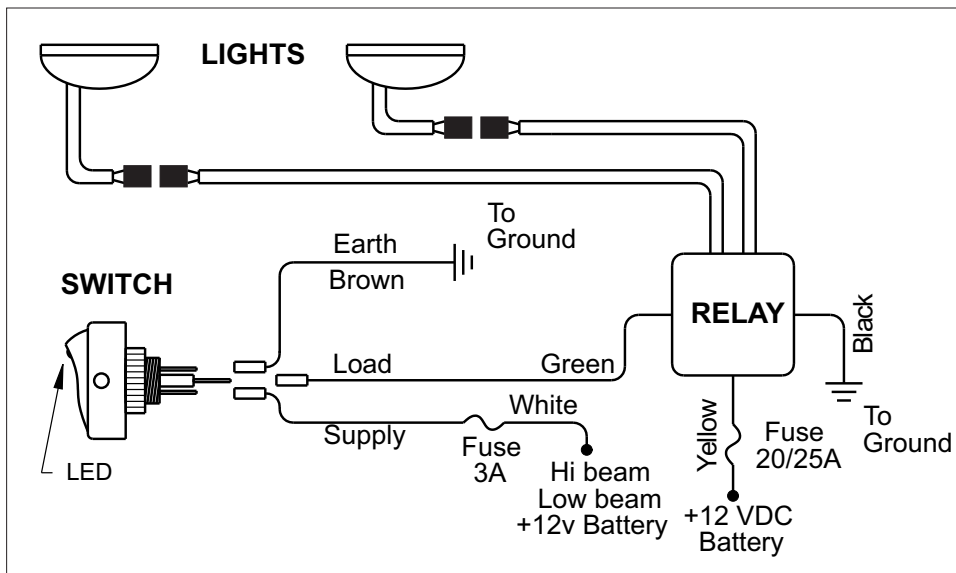
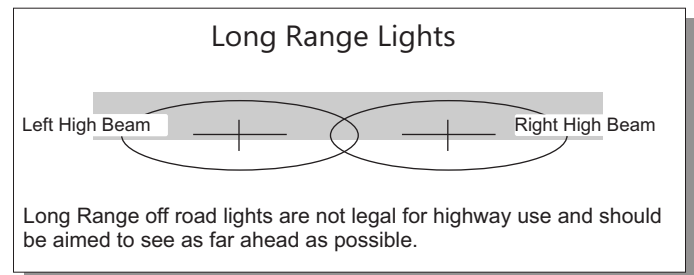
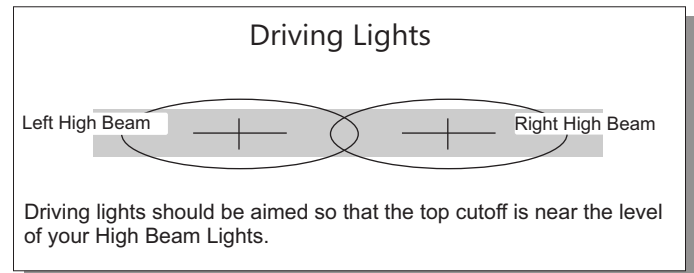
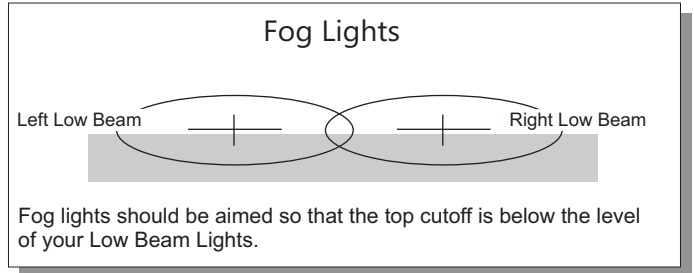
If Switch Panel is not being used, Drill a 1/2" hole to mount the Switch. The Switch must be grounded (Earth) to a Chassis or (-) Battery Ground in order to illuminate the Switch.

Connect the Yellow Power Wire to the (+) Positive Terminal of the Battery. Connect the White Power Wire to the (+) Positive Terminal of the Battery or alternative +12v source (accessory fuse, headlight, etc). Do not splice Yellow & White Wires together.

Some States require Fog Lights to be switched with the Low Beams (connect White Wire to Low Beam +12v using supplied Blue Wire Splice Connector). Some States require Driving Lights to be switched with Hi Beams (connect White Wire to High Beam +12v). **Note: Some newer vehicles do not allow this connection to the OE Lighting System.**

Aim your lights before they are securely tightened.

AIMING YOUR LIGHTS...



Relay Wiring Diagram

Notes: