



2015 - DODGE RAM 2009 - PRESENT

Video Installation Available

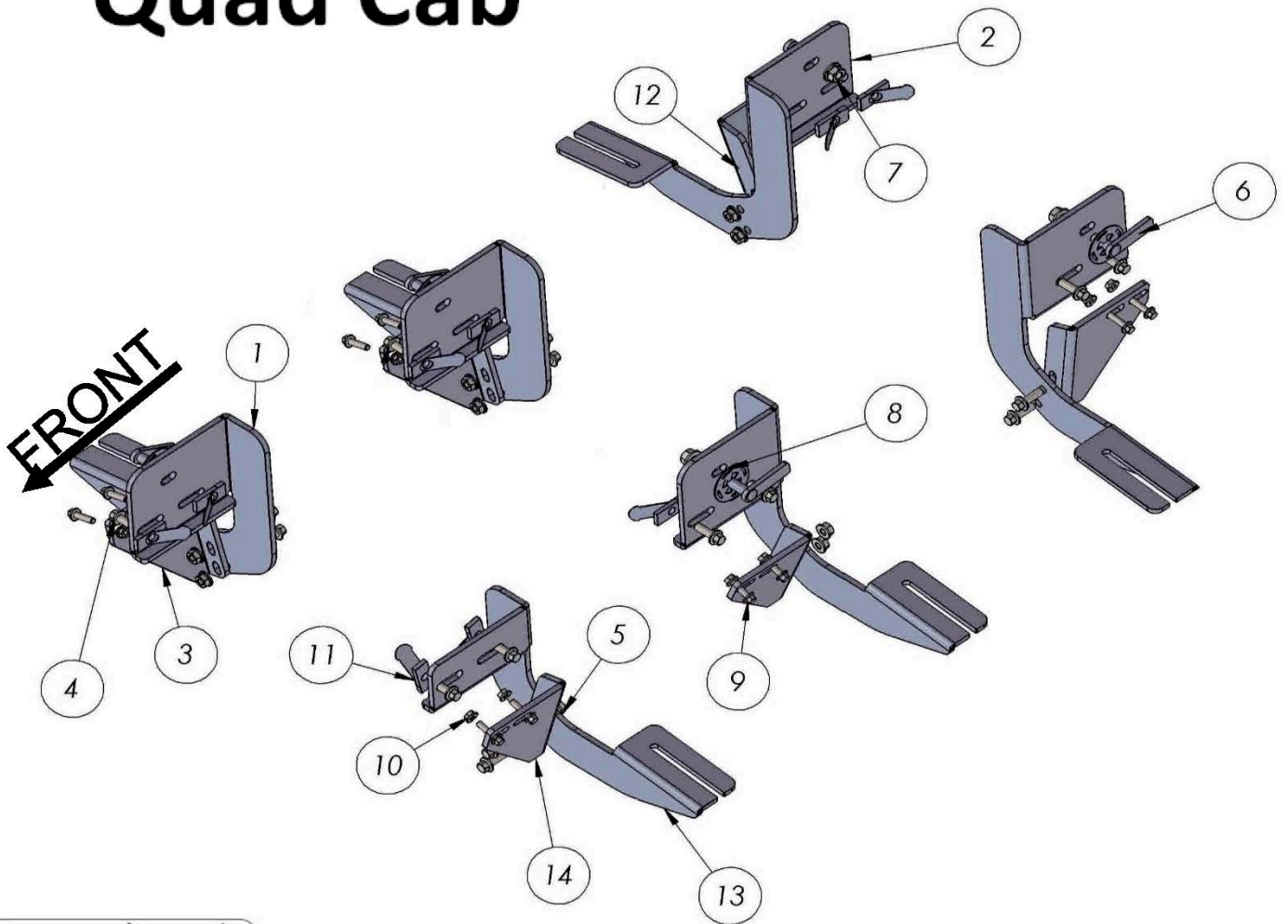


Installation Instructions



60 Minutes

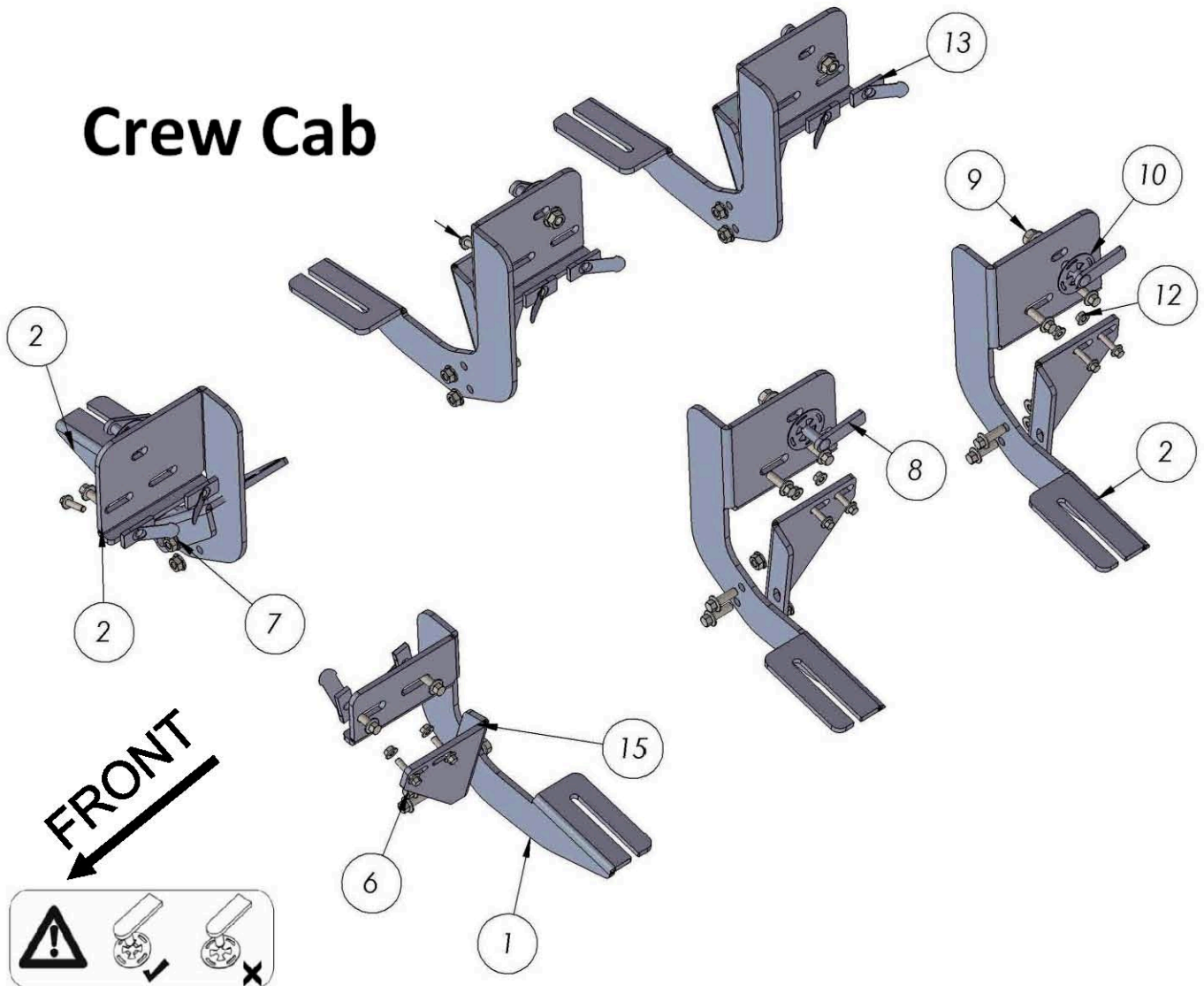
Quad Cab



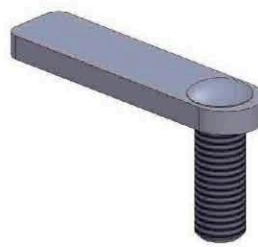
ITEM	PART NAME	QTY
1	2015850C0B0	2
2	2015850F0C0B0	3
3	2015850FCB1	2
4	DIN 6921 FLANGE BOLT M8 x 25	24
5	DIN 6923 FLANGE NUT M8	12
6	HTC 262 - M10x30(5x15x60)	5
7	DIN 6923 FLANGE NUT M10	4
8	HTC 269 CLIPS (M10)	5
9	DIN 6921 FLANGE BOLT M6 x 25	12
10	DIN 6923 FLANGE NUT M6	12
11	HTC 295 M8 SPECIAL NUT	12
12	2015850FCB1	3
13	2015850F0	1
14	2015850FCB1 A	1



Crew Cab



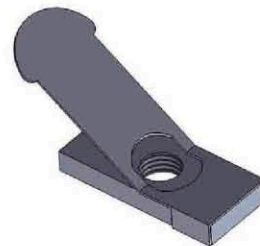
ITEM	PART NAME	QTY
1	2016850F0 DRIVER	1
2	2016850C0B0 DRIVER	3
3	2016850F0C0B0 PASSENGER	2
4	2016850FCB1 DRIVER	3
5	2016850FCB1 PASSENGER	2
6	DIN 6921 FLANGE BOLT M8 x 25	24
7	DIN 6923 FLANGE NUT M8	12
8	HTC 262 - M10x30(5x15x60)	5
9	DIN 6923 FLANGE NUT M10	4
10	HTC 269 CLIPS (M10)	5
11	DIN 6921 FLANGE BOLT M6 x 25	12
12	DIN 6923 FLANGE NUT M6	12
13	HTC 295 M8 SPECIAL NUT	12
15	2016850FCB1 DRIVER B	1



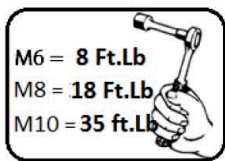
8



10



13

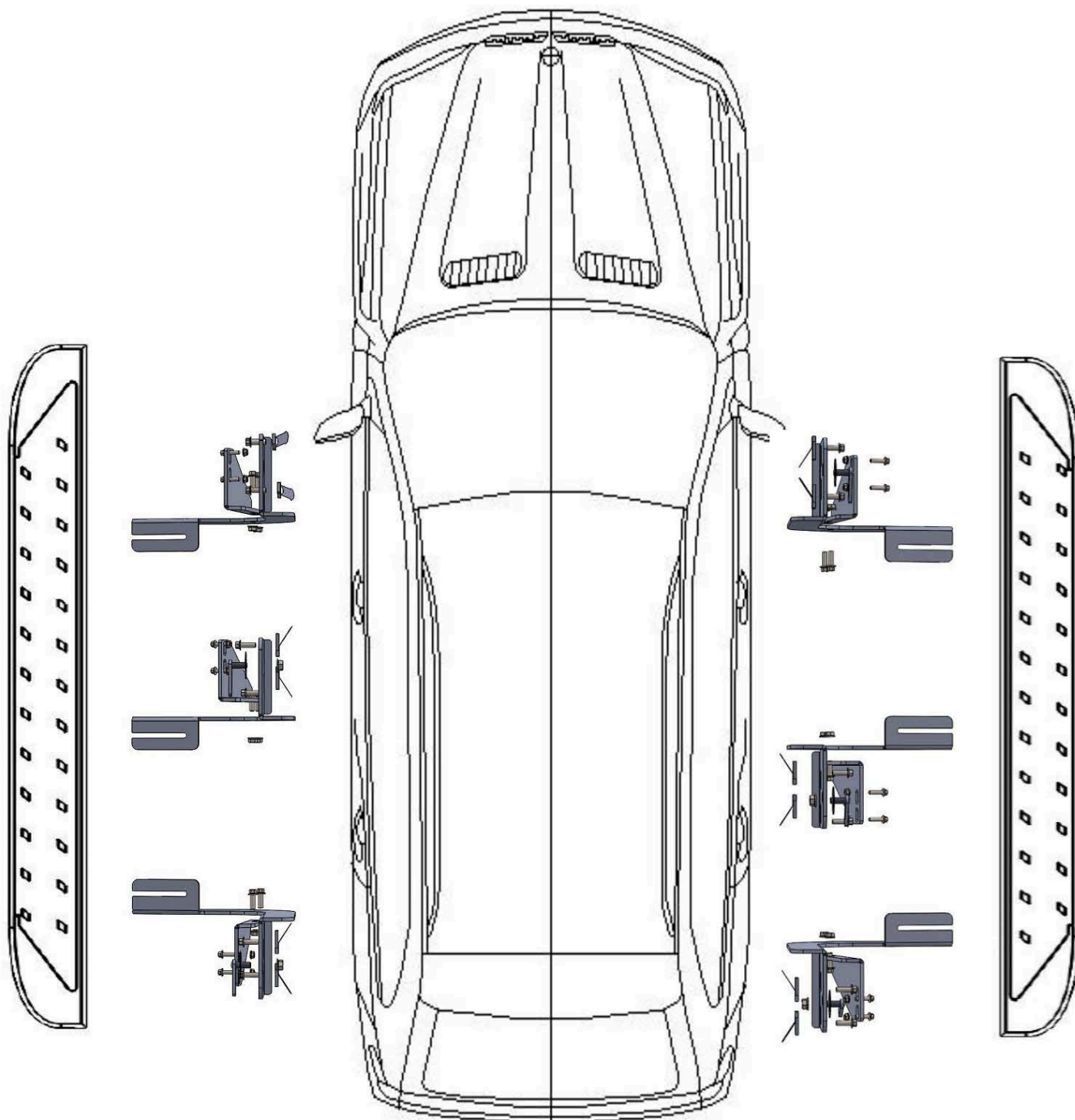


- 1) Follow same procedures for all 6 brackets.
- 2) Remove factory tape and insert HTC 262
- 3) Proceed to install HTC 295 M8. Note 2015 and up models may not require these inserts.
- 4) Proceed to install all brackets, do not tighten yet.
- 5) Proceed to install running boards. Hand tighten only.
- 6) Proceed to tighten brackets M8 18 Ft.Lb M10 35 Ft.Lb
- 7) Proceed to tighten running boards M8 18 Ft.Lb

WARNING: Use of powertools will void warranty



WARNING: Use of powertools will void warranty



ATTENTION PLEASE! : DO NOT TIGHTEN ALL OF THE SCREWS UNTIL ALL OF THE PARTS ARE INSTALLED.
NE PAZ SERRER L'ENSEMBLE QU'APRES TOUTES LES PHASES DU MONTAGE, ET UNE FOIS LES MARCHE PIEDS SONT CENTRES
NO DAR APRIETE AL CONJUNTO HASTA HABER FINALIZADO TODAS LAS FASES DE MONTAJE Y TENER CENTRADAS LAS

Keep your Romik accesories clean. To prevent corrsion and to mantain your high quality finish, wax or polish regularly with quality stainless polish. Use a non abrasive type automotive wax. Any use of abrasive soaps, polishes or waxes can be detrimental to the finish.

For additional installation assistance please call customer service 610-443-2122
ROMIK. 2714 Lehigh Street - Whitehall, PA 18052
www.romik.com