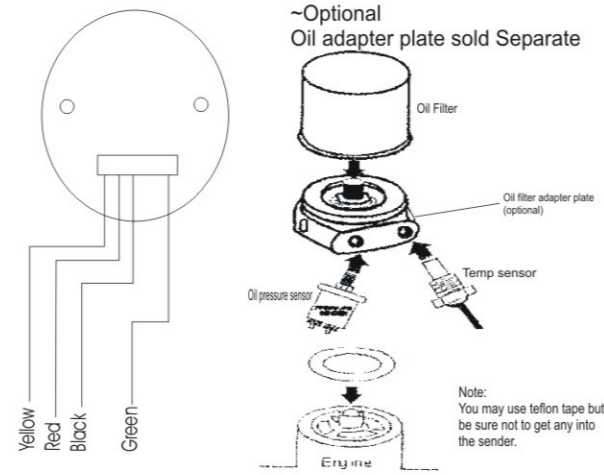


# Prosport Inc.

## Digital Oil Pressure Gauge

Digital Display



### Wiring Instructions

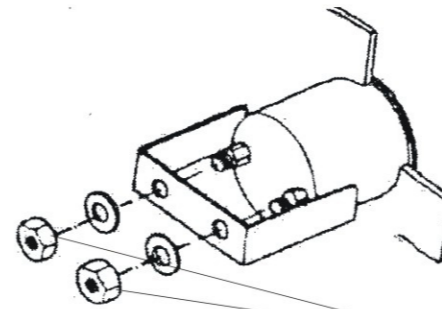
Red- 12v Accessory power  
 Black-Ground  
 Yellow- 12v Power  
 Green- Oil pressure sender  
 (connects to "G")

G Terminal- Connect green wire from gauge to this terminal  
 WK Terminal- Run wire from terminal to ground

There are 20 PCS of LED lights inside

0~15 PSI Red LED X 2 PCS	16~29 PSI Yellow LED X 2 PCS	30~ 145 PSI Red LED X 16 PCS
-----------------------------	---------------------------------	---------------------------------

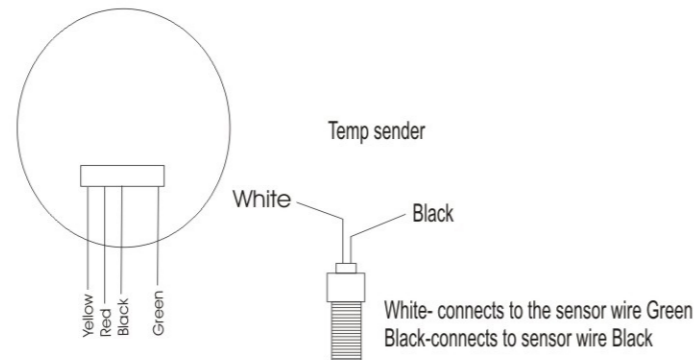
~ Oil pressure Display: Digital type --> 0~145 PSI  
 Analog LED --> 0~145 PSI



Do not over tighten bolts when installing U bracket. Doing so will cause damage to movement inside.

# Digital Oil/ Water Temperature Gauge

Digital Display



### Wiring Instructions

Red- 12v Accessory power  
 Black-Ground  
 Yellow- 12v Power  
 Green- Temp Sensor

OIL TEMP GAUGE

There are 20 PCS of LED lights inside

100~180 F Green LED X 8 PCS	181~230 F Yellow LED X 5 PCS	231~300 F Red LED X 7 PCS
--------------------------------	---------------------------------	------------------------------

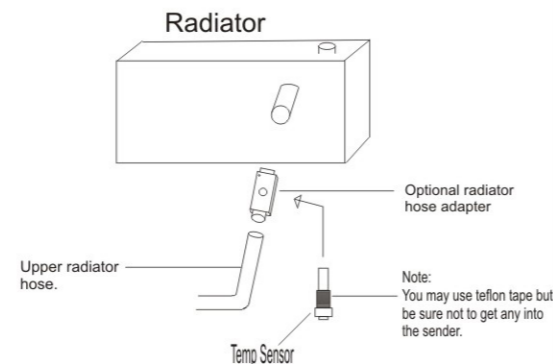
WATER TEMP GAUGE

There are 20 PCS of LED lights inside

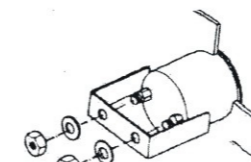
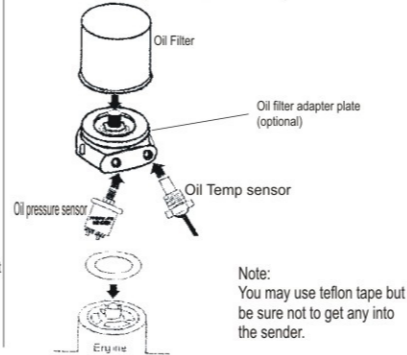
80~140 F Green LED X 6 PCS	141~190 F Yellow LED X 4 PCS	191~280 F Red LED X 10 PCS
-------------------------------	---------------------------------	-------------------------------

~ Oil Temp Display: Digital type --> 70~300 F  
 Analog LED --> 100~300 F

~ Water Temp Display: Digital type --> 70~300 F  
 Analog LED --> 80~280 F



~Optional Oil adapter plate sold Separate



Do not over tighten bolts when installing U bracket. Doing so will cause damage to movement inside.