



ALUMINUM HEADKNOCKER RACK P/N HKRS4-1 / HKRS5-1

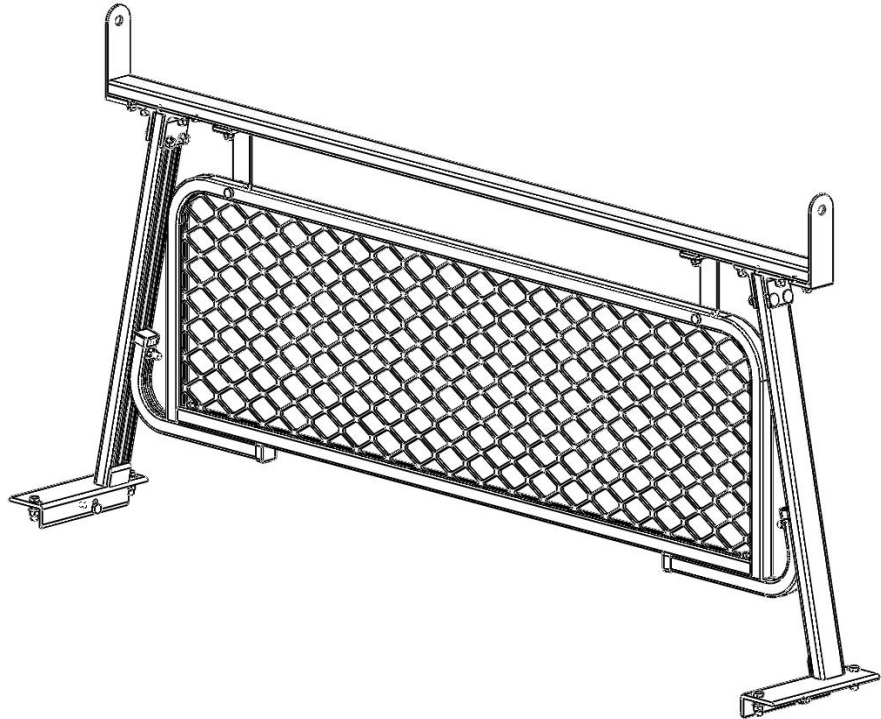
Package Contents:

PARTS

- (1) CROSS BAR
- (2) LEGS WITH FEET
- (2) "T" BRACKETS
- (1) SCREEN ASSEMBLY
- (2) SCREEN 'L' MOUNTS
- (2) LOWER SCREEN MOUNTS
- (2) LOAD SECURE POSTS

HARDWARE KIT

- (4) 3/8"-16 x 2" CARRIAGE BOLTS
- (2) 3/8"-16 x 2-1/2" HEX BOLTS
- (2) 3/8"-16 x 1-3/4" HEX BOLTS
- (2) 3/8"-16 x 1-1/2" HEX BOLTS
- (6) 3/8"-16 x 1-1/4" HEX BOLTS
- (10) 3/8"-16 x 1" HEX BOLTS
- (26) 3/8"-16 NUTS
- (26) 3/8" SPLIT LOCK WASHERS
- (2) 5/16"-18 x 1-1/2" HEX BOLTS
- (2) 5/16"-18 NUTS
- (2) 5/16" SPLIT LOCK WASHERS
- (4) PLASTIC END CAPS



Before you begin:

Remove all components from the shipping carton.

The rack should be assembled on a padded surface such as carpet to prevent scratching of aluminum surfaces. Remove bands securing components together.

Read the instructions thoroughly to familiarize yourself with the assembly sequence.

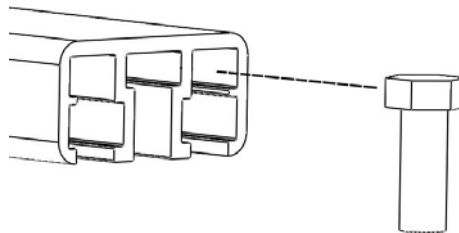
Note that you DO NOT tighten any nuts and bolts until the completed rack is installed on the vehicle unless specified. This allows for minor adjustments to the rack during the installation process.

Gather the following tools used to assemble and install the rack.

- 9/16" Socket or open end wrench
- 1/2" Socket or open end wrench
- 3/8" Drill bit and drill
- Pencil or marker
- Tape measure
- Center punch and hammer (optional)
- Level (optional)

1. 'L' bracket bolts

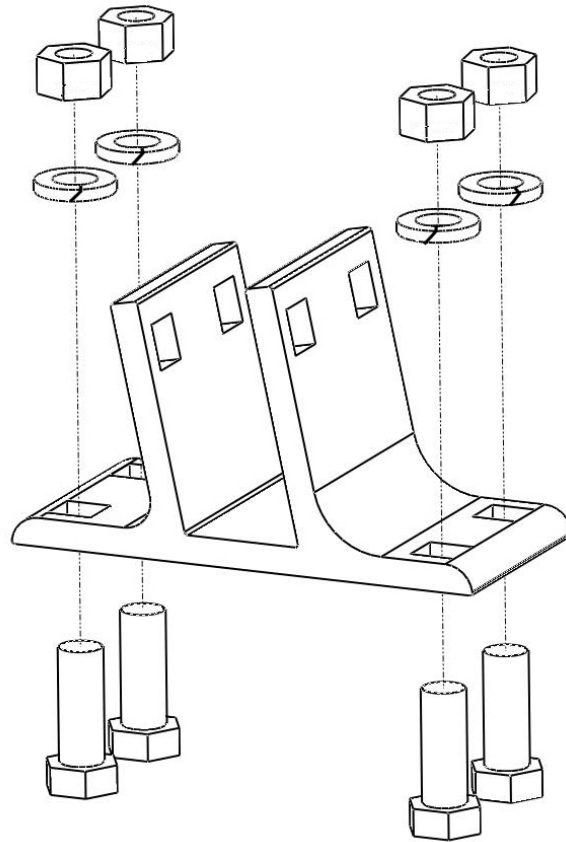
Slide in (2) 3/8"-16 x 1"- bolts into the outer channel of the load bar as shown below. Slide a bolt from each end in towards the center of the load bar.



2. 'T' bracket assembly

Loosely assemble the 'T' bracket as shown using (4) 3/8"-16 x 1" hex bolts, 3/8" split lock washers and 3/8"-16 hex nuts.

Repeat for other 'T' bracket.

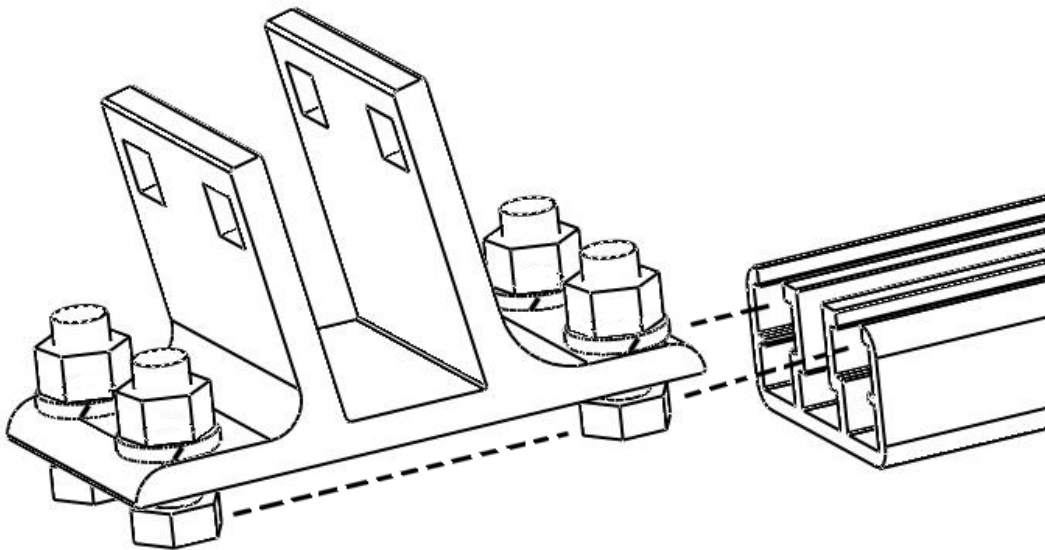


3. Load bar assembly

Orientate the 'T' bracket as shown with the angle ends pointing away from the center of the load bar.

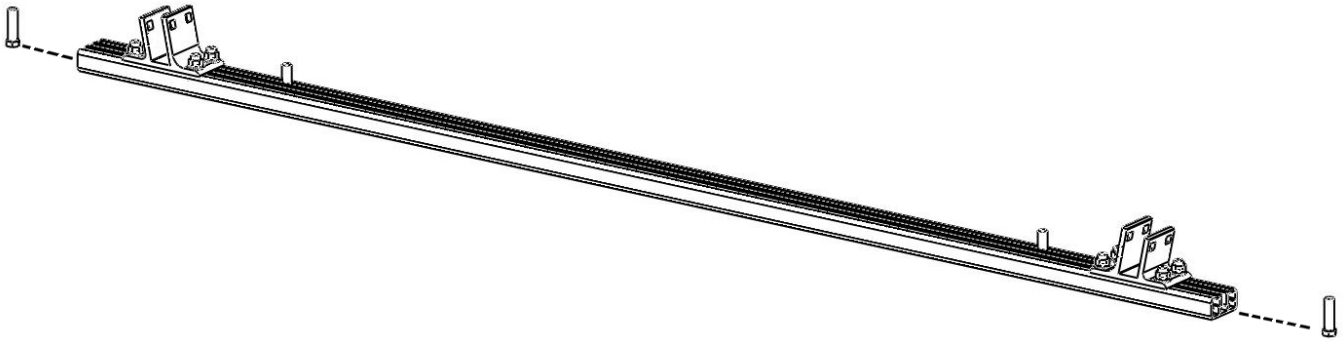
Slide the 3/8"-16 x 1" hex bolts into the outer channels of the load bar.

Slide the 'T' bracket assembly into the load bar. Repeat for other side of load bar.



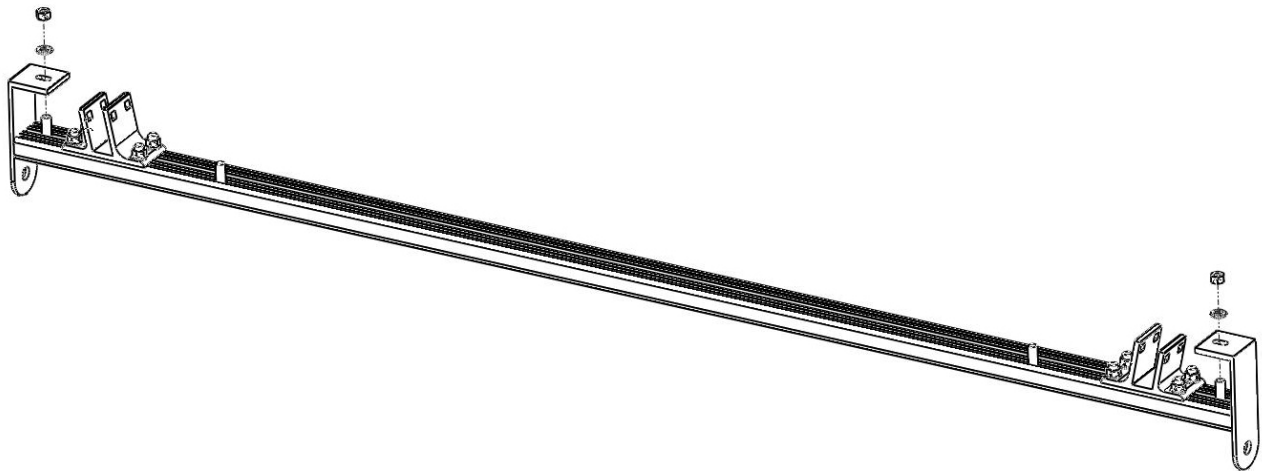
3. Load bar assembly (continued)

Slide in (1) 3/8"-16 x 1-1/2" bolt into the center channel of the load bar on each end as shown below.

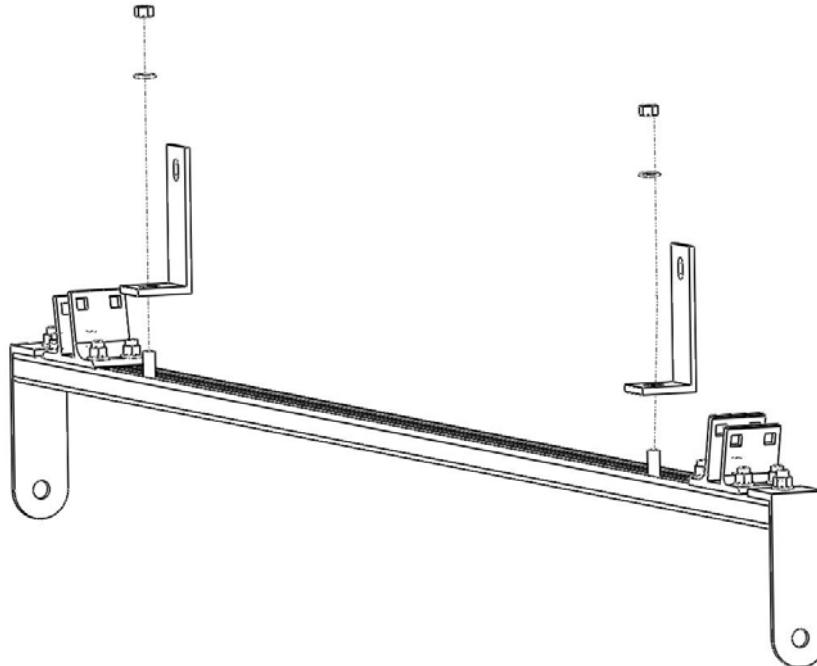


Install the load secure posts as shown. Place the end load secure posts so they are flush against the load bar.

Tighten the load secure posts with 3/8" split lock washers and 3/8"-16 nuts and tighten hardware

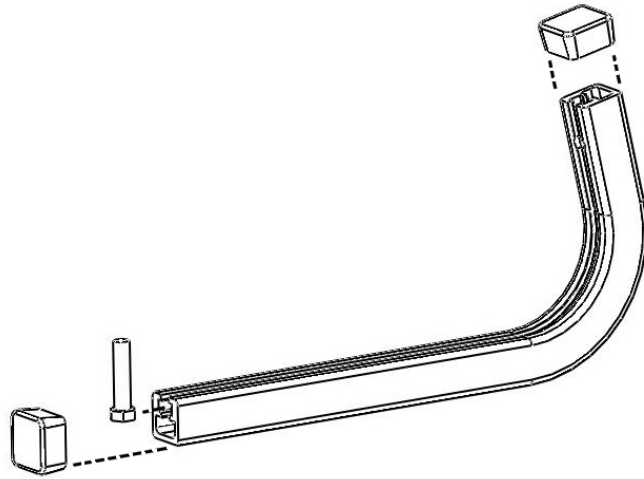


Install the screen 'L' brackets on the 3/8"-16 x 1" bolts as shown. Secure posts with 3/8" split lock washers and 3/8"-16 nuts.



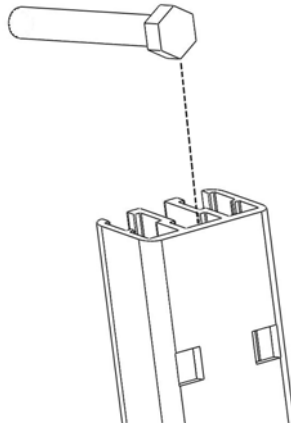
4. Lower Brace assembly

Slide (1) 5/16"-18 x 1-1/2" bolt into the center channel of the lower screen brace. Place end caps on each end of the lower screen brace. Repeat for other lower screen brace.

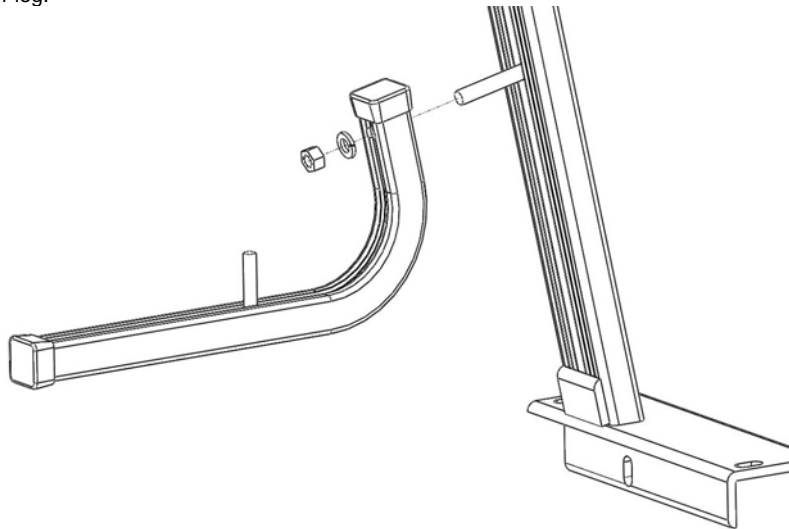


5. Leg assembly

Slide in (1) 3/8"-16 x 2-1/2" bolt into the center channel of the leg with the punched end as shown below. Repeat for other leg.

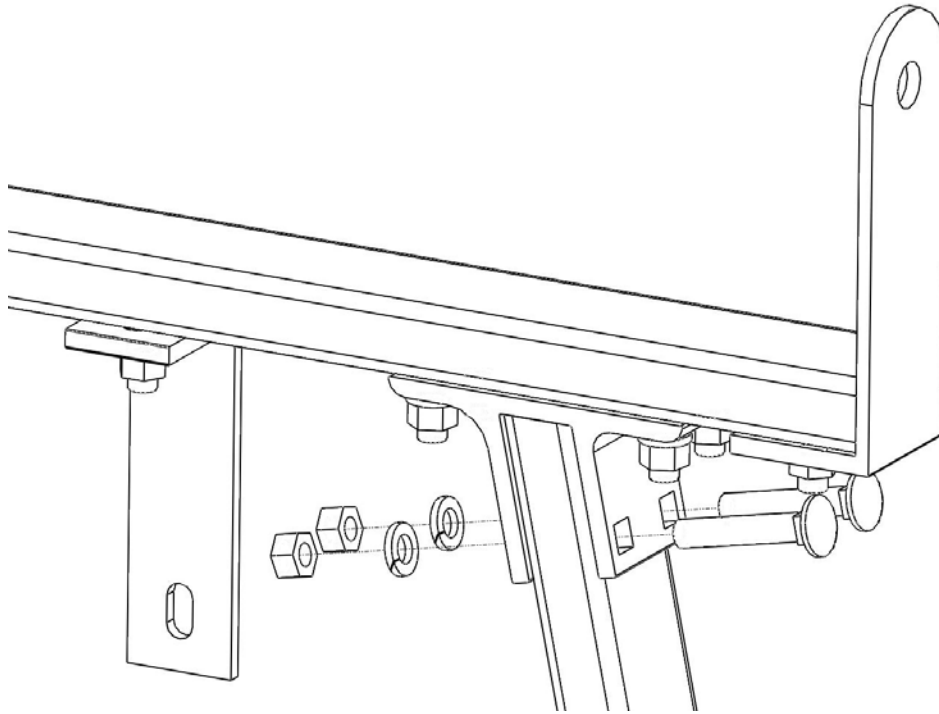


Install the lower brace assembly to the leg by securing to the 3/8"-16 x 2-1/2" bolt using a 3/8" split lock washer and 3/8"-16 nut. Leave the nut loose. Repeat for other leg.



5. Leg assembly (continued)

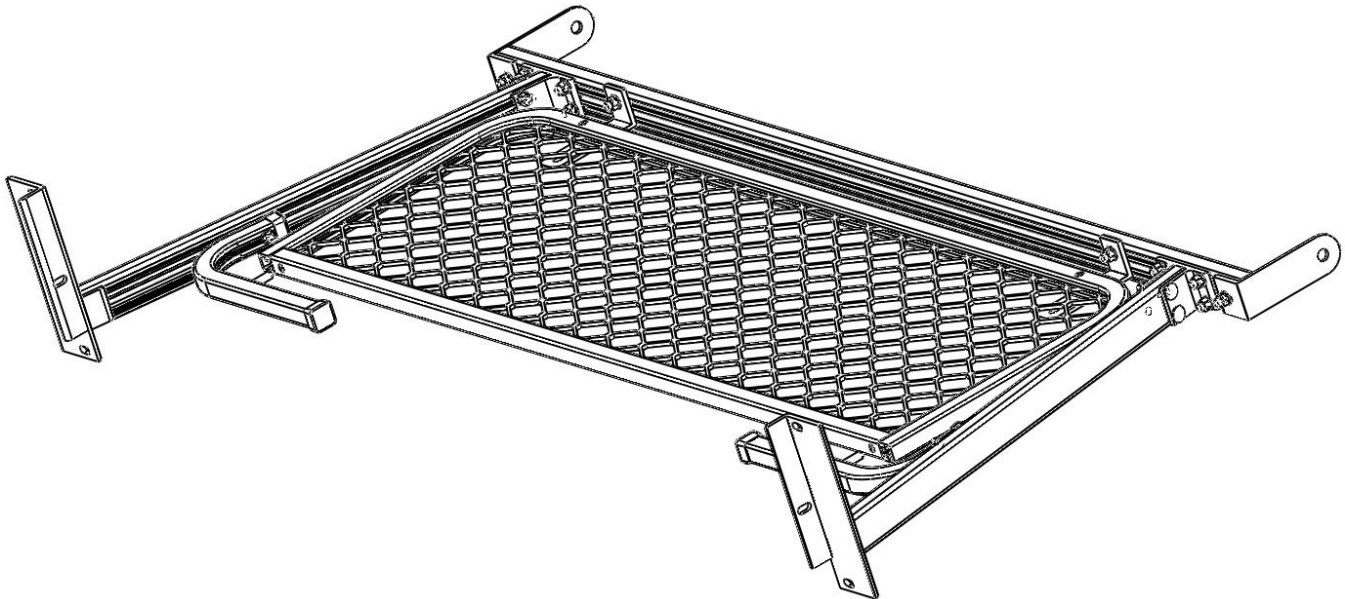
Slide the leg assembly into the 'T' bracket as shown. Secure using (2) 3/8"-16 x 2" carriage bolts, 3/8"-16 nuts and a 3/8" split lock washers. Repeat for other leg.



6. Rack assembly

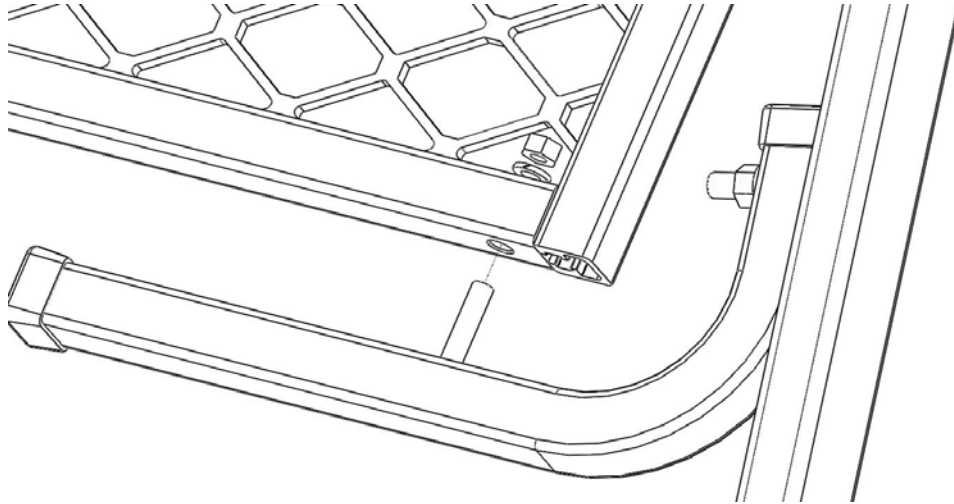
Place the screen assembly so that the top portion rests on the screen 'L' bracket installed in the load bar.

Align the 5/16"-18 x 1-1/2" bolts installed in the lower braces with the two holes on the bottom of the screen assembly.



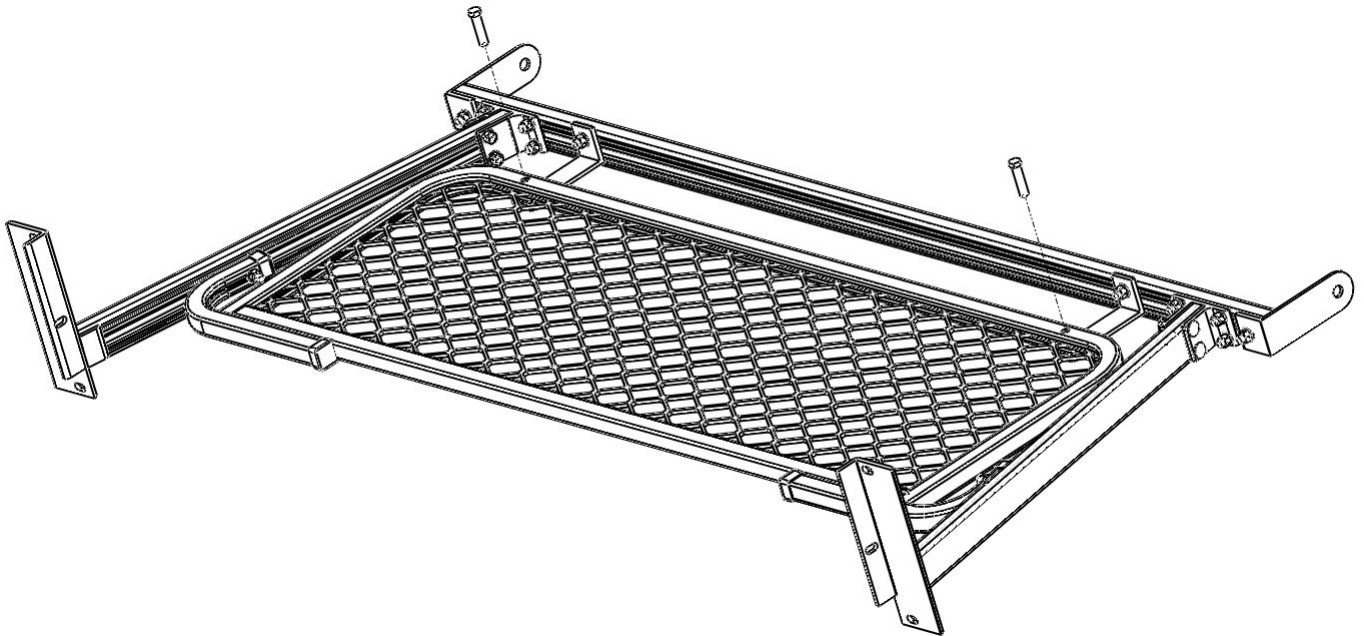
6. Rack assembly (continued)

Slide the screen assembly down so the 5/16"-18 x 1-1/2" bolts go through the lower portion of the screen assembly. Loosely secure screen assembly to the lower screen braces using 5/16" split lock washers and 5/16"-18 nuts.



Adjust the screen assembly, lower screen braces and screen 'L' brackets so that the upper holes of the screen assembly align with the holes on the screen 'L' brackets.

Secure the screen assembly to the screen 'L' brackets with (2) 3/8"-16 x 1-3/4" hex head bolts, 3/8" split lock washers and 3/8"-16 nuts.

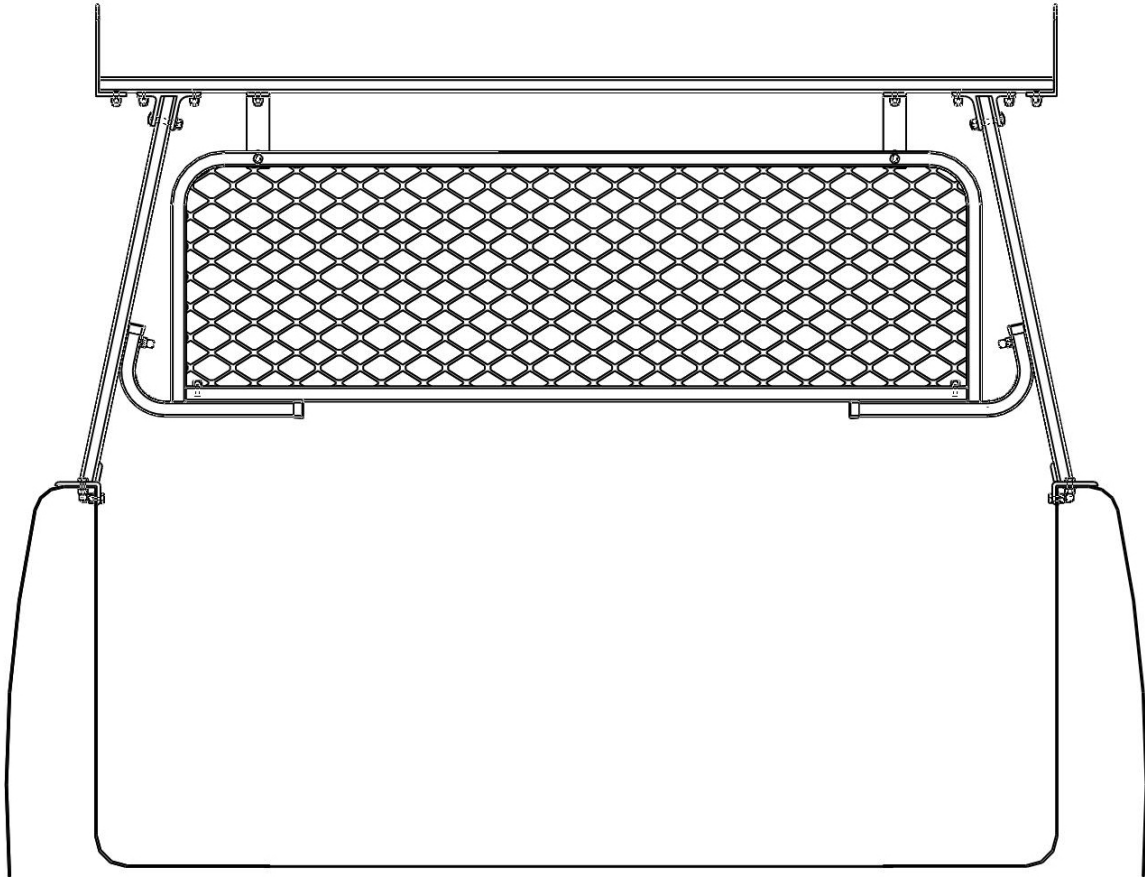


Center the screen assembly on the load bar by measuring the distance from each end to the end of the load bar. Adjust as needed until equal. Tighten the screen 'L' bracket to the load bar and screen assembly.

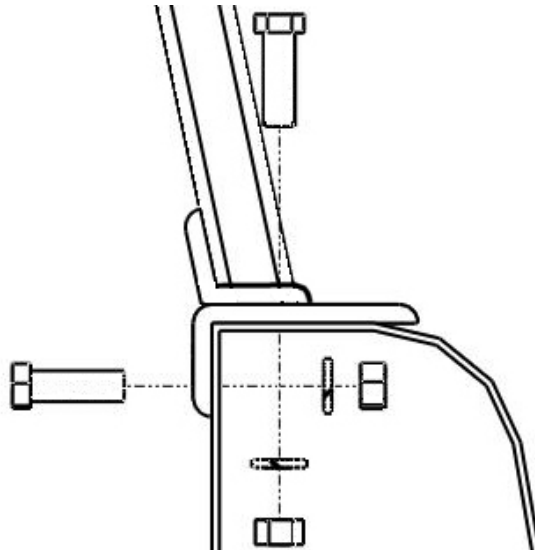
Tighten the upper screen assembly to the screen 'L' brackets

7. Vehicle fit

Adjust the legs to fit the truck bed side rails by sliding the legs with 'T' brackets. Center the legs to the load bar. Adjust as needed.



Mark the hole positions for both legs (3 holes per leg bracket – 2 on top and 1 on the inside) and drill 3/8" holes in all locations. Using (6) 3/8"-16 x 1-1/4" hex bolts, (6) 3/8" split lock washers and (6) 3/8"-16 nuts, secure the headknocker rack to the truck.



Continue around the rack and tighten all remaining nuts and bolts securely. Tighten until lock washers are flat but **DO NOT OVERTIGHTEN!**

Customer Limited Warranty and Standard Return Policy

Hauler Racks, Inc. offers to preferred customers a special limited warranty. It is our goal to provide effective service for any warranty or standard return. This statement of warranty and return policy is divided into two sections: Warranty Returns of Defective Product and Standard Returns of Unused Product.

Warranty Returns of Defective Product

Hauler Racks, Inc. will repair or replace, at its option and without charge, any properly installed Hauler component that fails due to defect in material or workmanship up to 30 days from the initial registered consumer purchase. All of our aluminum product line is guaranteed not to rust or corrode for 1 year. Proof of Purchase must be provided for warranty to be honored.

Loads should never exceed 1/3 of your vehicle's manufacturer's total load capacity. Loads should never extend more than 1 foot on either end of rack. This warranty is void if any damage to the product is due to misuse, abuse, neglect, accident, improper installation, or any uses contrary to the instructions accompanying the product. The warranty is also void if racks are altered in any manner. The racks have been load tested for the racks capacity to hold loads when not on a vehicle. Hauler Racks, Inc. does not warranty load capacities. As the factory has no way of knowing if the product was properly assembled, installed, used according to instructions, or if loads were secured properly.

This warranty covers the cost of the defective component and not the cost of removal, installation or other incidental charges unless other arrangements have been made with Hauler Racks.

This warranty gives you specific legal rights and you may have other rights which vary from state to state.

All warranty claims must receive a Return Authorization number from Hauler Racks, Inc. BEFORE the product is returned to the Company. Please follow this procedure:

1. Call Hauler at 800-843-5445 to request a Return Authorization number. You will need to provide the following information
 - Specific nature of the defect
 - Product installation date
 - Product part number
 - Original sales invoice number
2. When a replacement or repair strategy is determined, a Return Authorization number will be assigned to the claim.
3. A replacement invoice and shipping document will be generated at Hauler Racks to initiate any replacement product. Replacement product will be sent according to standard shipping cycles.
4. The purchaser is responsible for packing and return shipping of the product. The RETURN AUTHORIZATION NUMBER MUST BE CLEARLY MARKED ON THE OUTSIDE OF THE PACKAGE. Unmarked packages will be refused. Any product damage that occurs during the shipping is not covered under warranty. The purchaser must pursue claims for shipping damage with the shipping center.
5. The purchaser is responsible for payment of both the original product invoice and the replacement invoice according to established credit terms.
6. Upon receipt of the returned product, Hauler Racks will review the claim for warranty conformance. If the claim meets warranty criteria, a credit for the original invoice amount will be posted to the purchaser's account and a credit memo will be mailed. If the claim does not meet warranty criteria, the purchaser will receive a statement detailing reasons for partial credit or denial. At the purchaser's option, denied product may be returned to the purchaser.

Standard Returns of Unused Product

Unused product may be eligible for return to Hauler Racks, Inc. Follow the procedure described in the section on Warranty Returns to receive an Authorization Number.

Returned product which is less than 6 (six) months old is subject to a 20% restocking fee.

Returned product which is more than 6 (six) months old may not be eligible for return or may incur additional restocking charges.