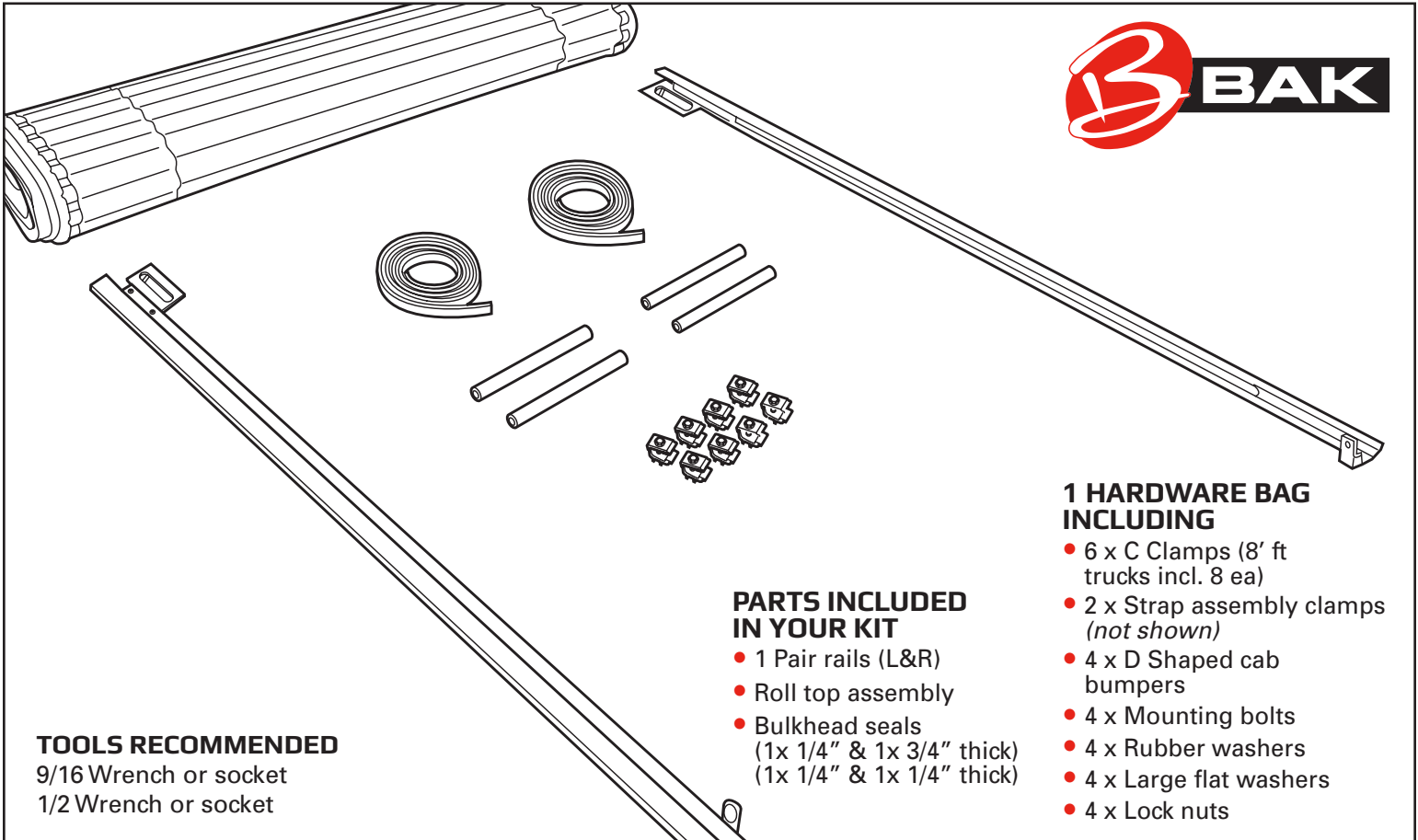


Any damaged or missing parts?

Parts will be shipped to you directly. Call 818-365-9000 Mon - Fri 8:00 am - 4 pm Pacific Time or email support@bakindustries.com



TOOLS RECOMMENDED

- 9/16 Wrench or socket
- 1/2 Wrench or socket

PARTS INCLUDED IN YOUR KIT

- 1 Pair rails (L&R)
- Roll top assembly
- Bulkhead seals (1x 1/4" & 1x 3/4" thick) (1x 1/4" & 1x 1/4" thick)

1 HARDWARE BAG INCLUDING

- 6 x C Clamps (8' ft trucks incl. 8 ea)
- 2 x Strap assembly clamps (not shown)
- 4 x D Shaped cab bumpers
- 4 x Mounting bolts
- 4 x Rubber washers
- 4 x Large flat washers
- 4 x Lock nuts

1

Install the bulkhead seal to the top of the bulkhead at the edge of the of the bed opening. If the truck **does NOT** have a drop in bedliner, use 3/4" seal. If the truck **does** have a drop in bedliner, use 1/4" seal.

2

FIG 2A

Position Revolver X2 rail with the silver slotted bracket all the way forward towards the cab of the vehicle. If the truck is equipped with a drop in bedliner remove the foam pad located on the slotted bracket as shown in Fig. 2a.

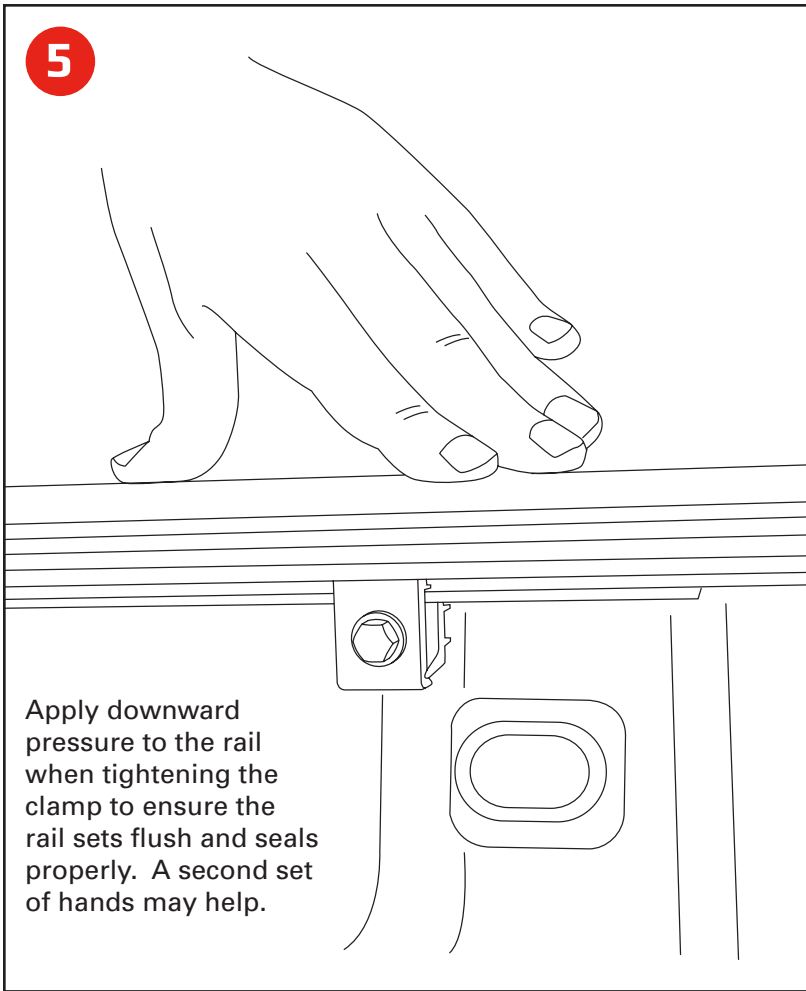
3

Position clamp as close to the end of rail as possible, should be less than 12" from the end. Make sure rail is clamped square as shown.

NOTE: Some drop in liners may require trimming in the corners to fit the rail in the opening.

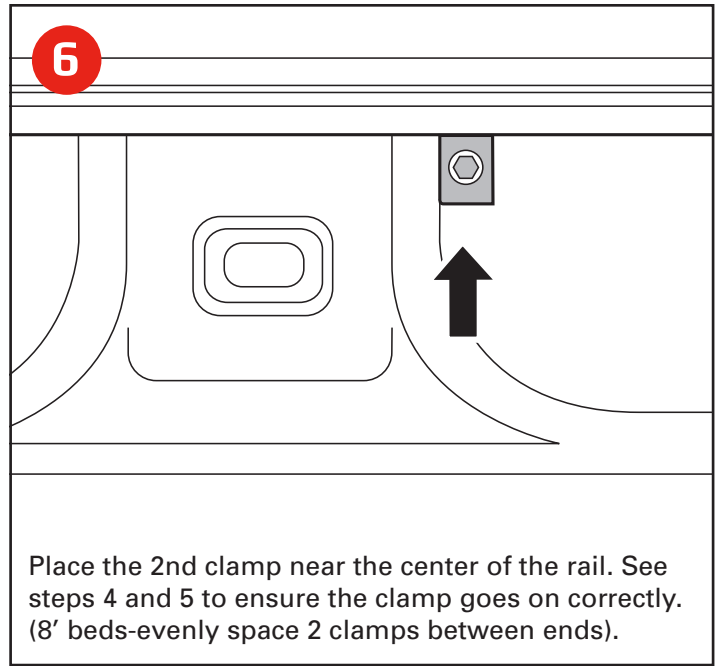
4

Make sure the clamp is inserted all the way up into the rail and the clamp teeth engage the ribs along the inside of the rail squarely.



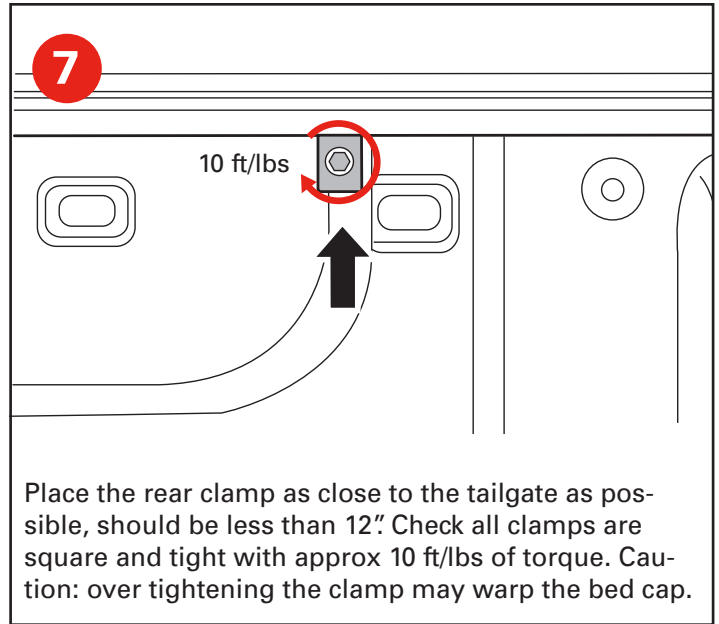
5

Apply downward pressure to the rail when tightening the clamp to ensure the rail sets flush and seals properly. A second set of hands may help.



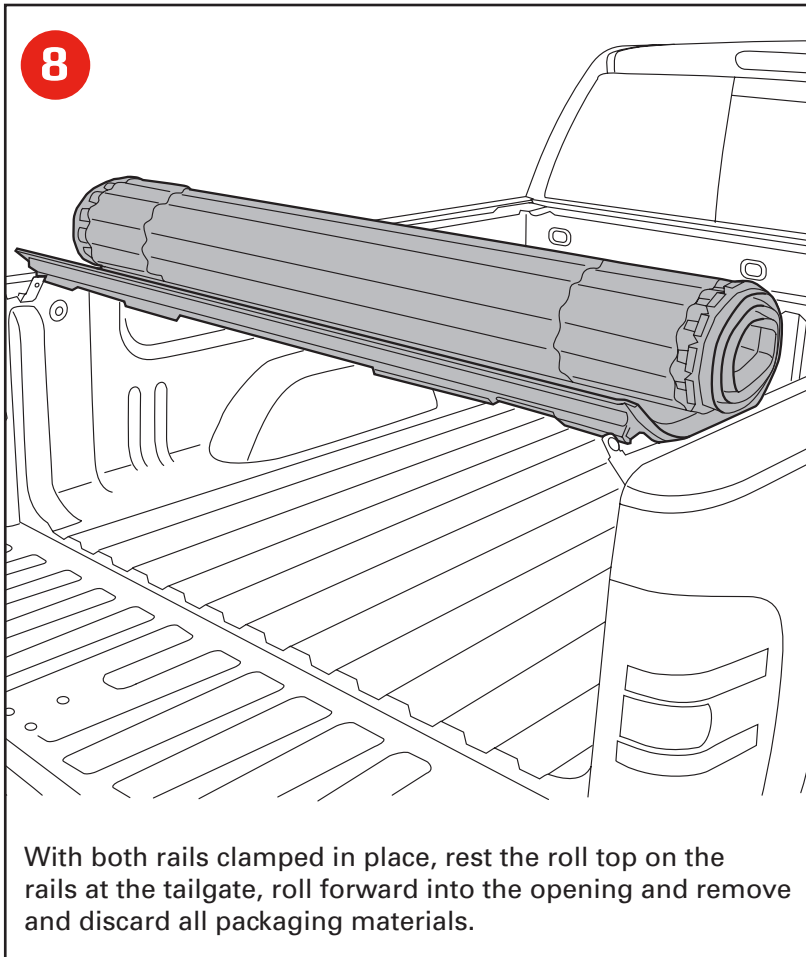
6

Place the 2nd clamp near the center of the rail. See steps 4 and 5 to ensure the clamp goes on correctly. (8' beds-evenly space 2 clamps between ends).



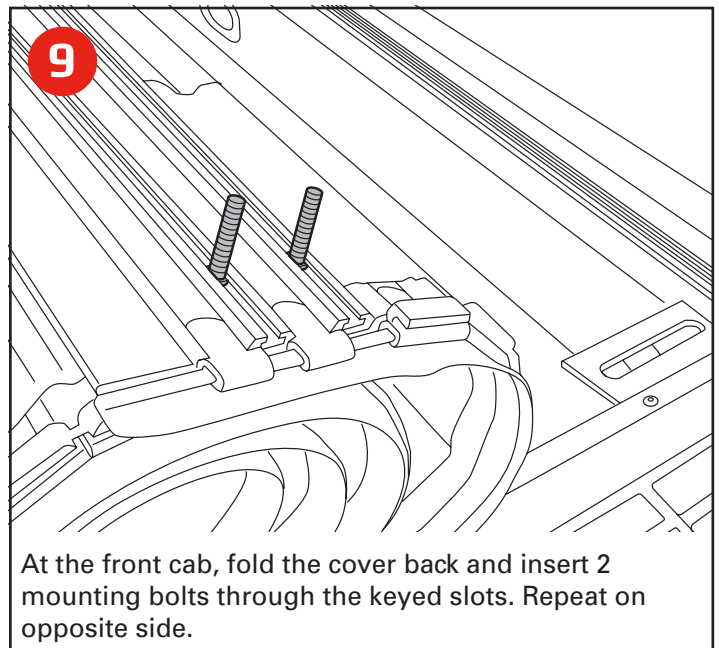
7

Place the rear clamp as close to the tailgate as possible, should be less than 12". Check all clamps are square and tight with approx 10 ft/lbs of torque. Caution: over tightening the clamp may warp the bed cap.



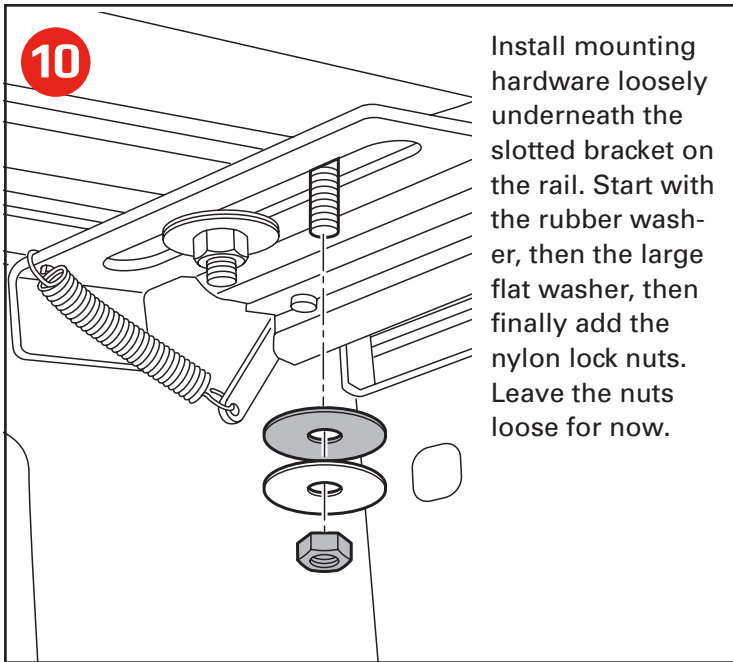
8

With both rails clamped in place, rest the roll top on the rails at the tailgate, roll forward into the opening and remove and discard all packaging materials.



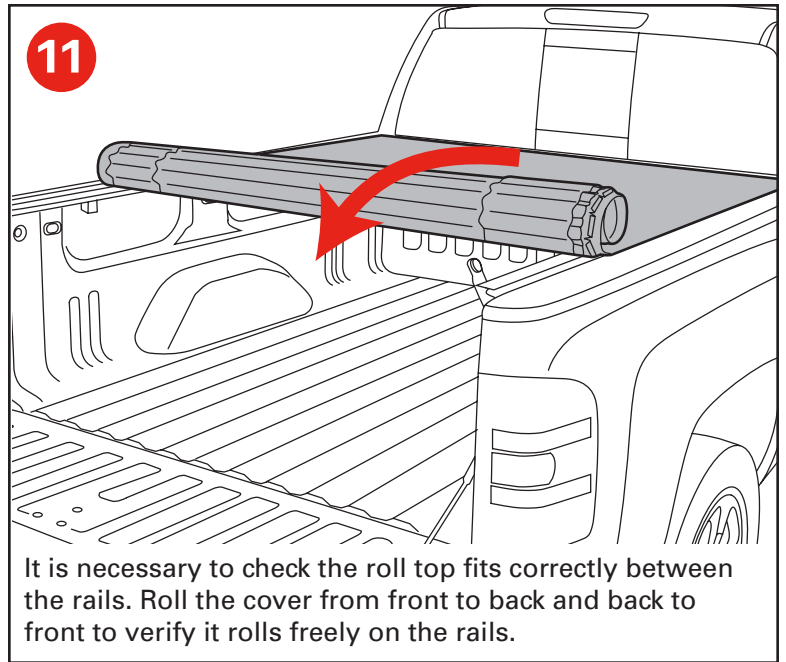
9

At the front cab, fold the cover back and insert 2 mounting bolts through the keyed slots. Repeat on opposite side.



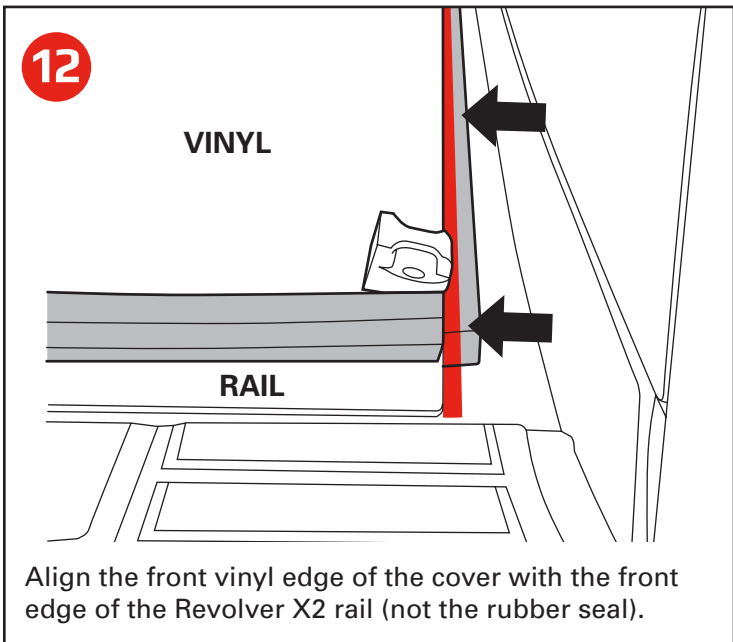
10

Install mounting hardware loosely underneath the slotted bracket on the rail. Start with the rubber washer, then the large flat washer, then finally add the nylon lock nuts. Leave the nuts loose for now.



11

It is necessary to check the roll top fits correctly between the rails. Roll the cover from front to back and back to front to verify it rolls freely on the rails.

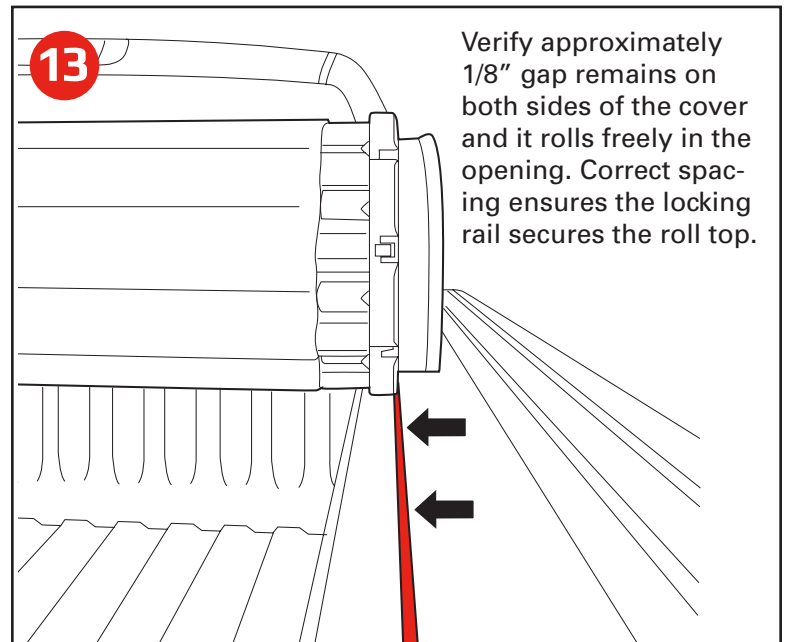


12

VINYL

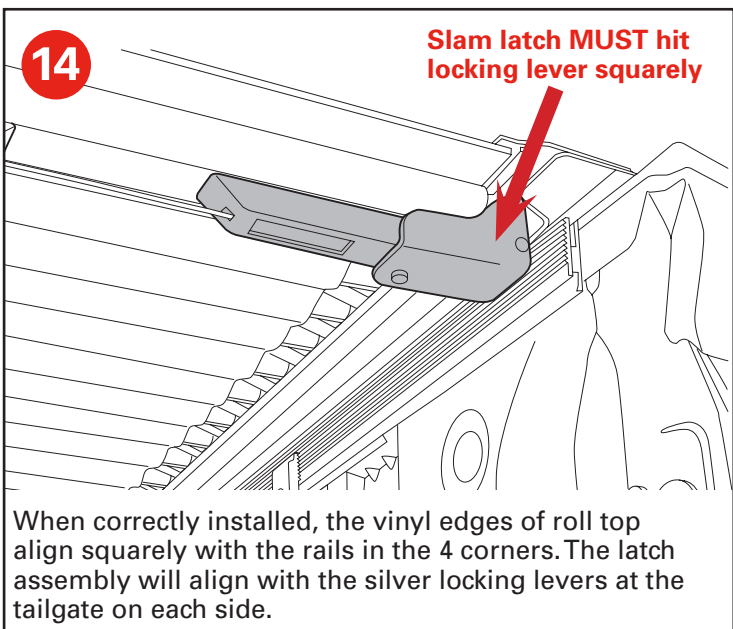
RAIL

Align the front vinyl edge of the cover with the front edge of the Revolver X2 rail (not the rubber seal).



13

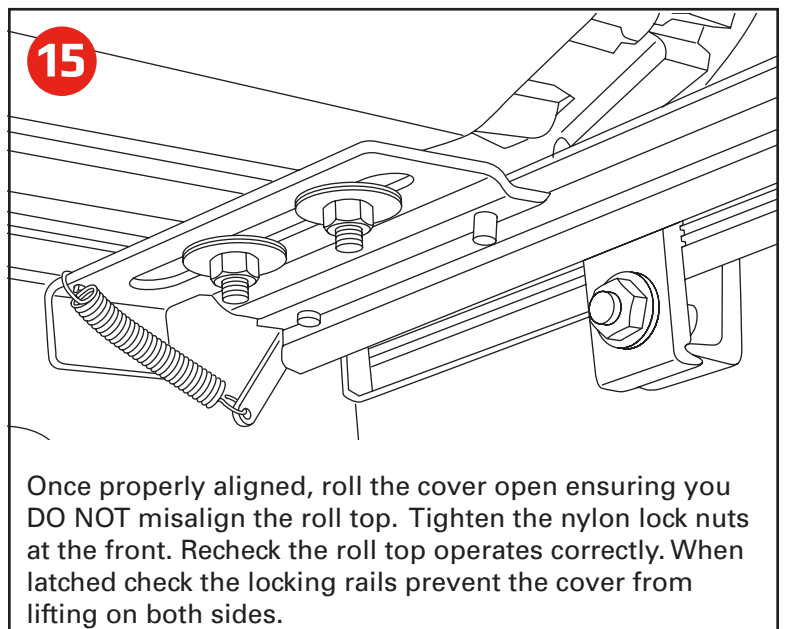
Verify approximately 1/8" gap remains on both sides of the cover and it rolls freely in the opening. Correct spacing ensures the locking rail secures the roll top.



14

Slam latch **MUST** hit locking lever squarely

When correctly installed, the vinyl edges of roll top align squarely with the rails in the 4 corners. The latch assembly will align with the silver locking levers at the tailgate on each side.

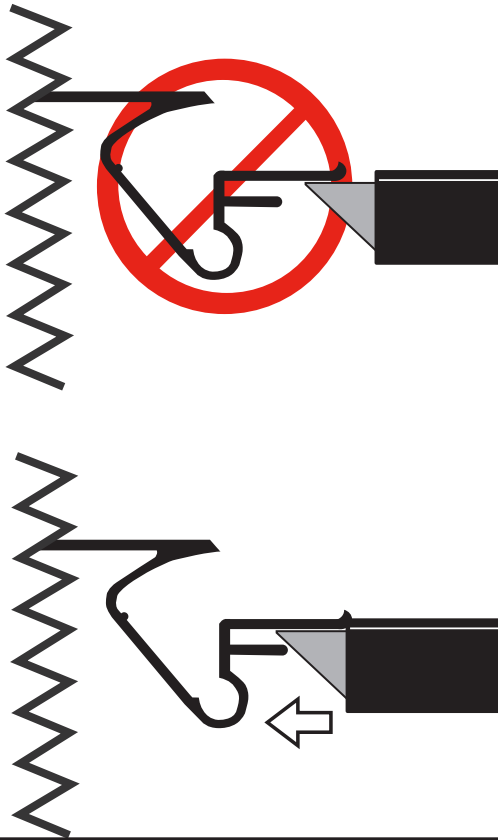


15

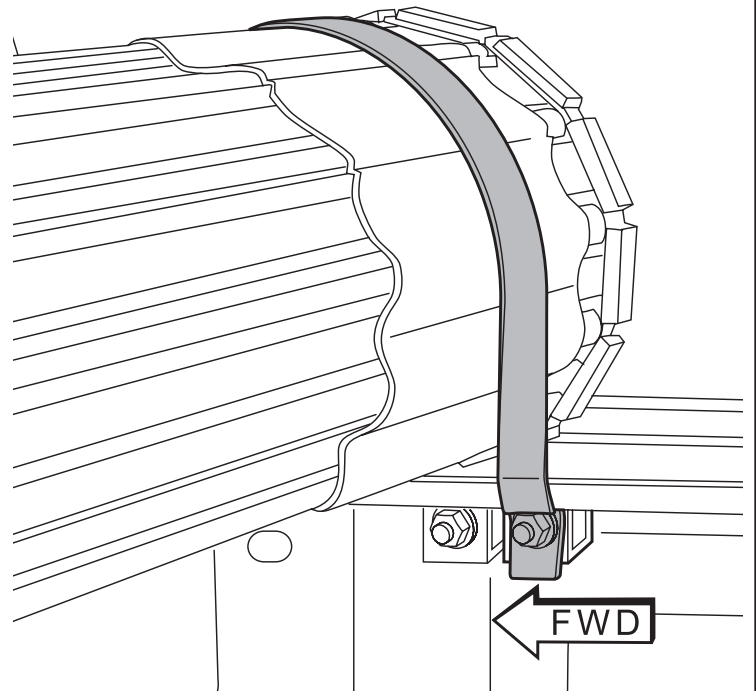
Once properly aligned, roll the cover open ensuring you **DO NOT** misalign the roll top. Tighten the nylon lock nuts at the front. Recheck the roll top operates correctly. When latched check the locking rails prevent the cover from lifting on both sides.

16

Check to see that the latches at the tailgate fully engage and make proper contact with side rails.



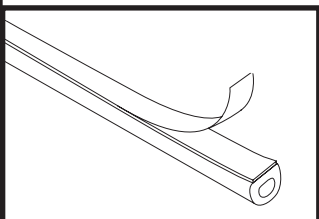
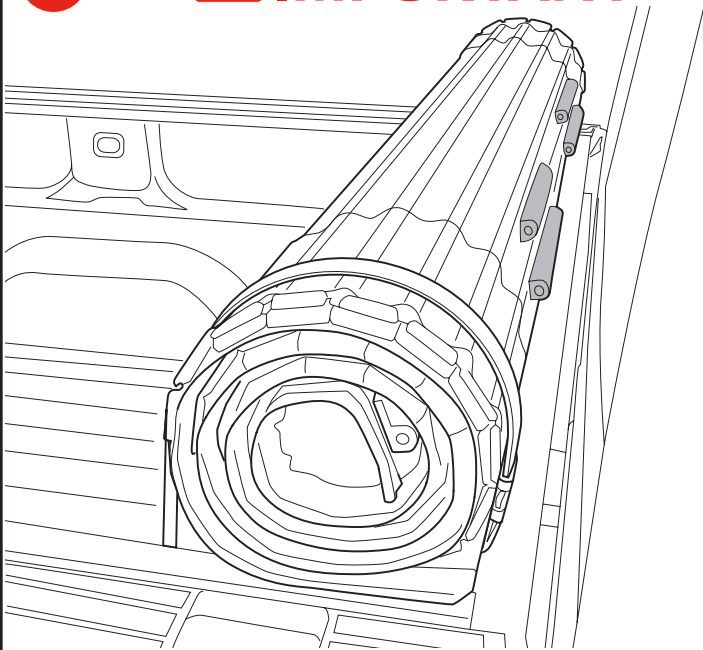
17



Mount the strap clamp assembly as far forward on the rail as possible and tighten. Repeat on opposite side.

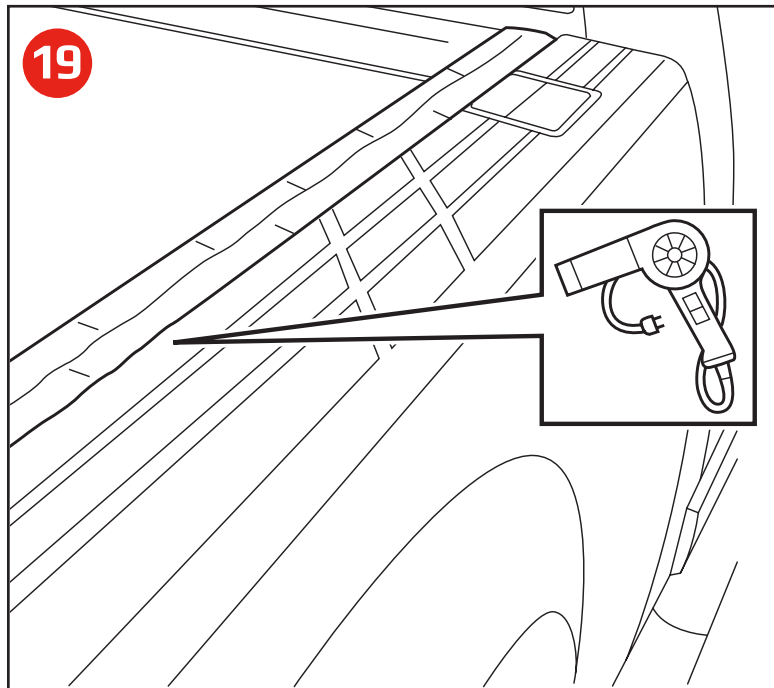
18

! IMPORTANT



Roll the cover open and place the D shaped bumpers to the aluminum underside where they will prevent contact if the cover is rolled all the way open. The straps will hold the cover off the cab and glass when secured.

19



If the side seals of the Revolver X2 cover appear wrinkled you may leave the truck in the sun to assist the seals to lay flat. To expedite, apply heat with a hair dryer or heat gun. See this video for a good look at how it's done.

https://www.youtube.com/watch?v=H__DI2vJjg



IMPORTANT Safe operation and use

IMPORTANT NOTICE

While driving, cover must be completely flat and secure with BOTH rear latches engaged and in the closed position OR completely rolled up and secured at the cab with the provided straps. **DO NOT DRIVE** with cover partially opened.

Tonneau Cover Positions While Operating Vehicle

Prior to vehicle operation, tonneau cover MUST be properly secured.

CLOSED POSITION (FIG 1)

Cover must be closed and **FULLY LATCHED ON BOTH SIDES** of the tonneau side rails.

OPEN POSITION (FIG 2)

To drive with your Revolver X2 in the open position, simply make use of the provided tie down straps. Roll the cover forward and stop approximately 4" from the cab and insert the strap clips into the buckles at the end of the cover. Ensure BOTH strap clips are fully inserted and tighten the straps with the adjustment locks to ensure the cover doesn't roll or shift during vehicle operation.

Cover Operation

TO CLOSE THE COVER (FIG 3)

Roll the top towards the tailgate and rotate the tail rail downwards towards the rotating locking levers.

WARNING – When closing the cover ensure rear latches on BOTH sides are fully engaged underneath the rails before operating the vehicle.

TO OPEN THE COVER (FIG 4)

Pull downwards on latch release cable located on either side of the cover and rotate tail rail forward and into a rolling motion. Cover should be rolled into a bundle towards the cab of the vehicle and only driven with the cover secured with the provided straps.

DO NOT ATTEMPT TO DRIVE WITH THE COVER IN THE PARTIALLY OPEN POSITION!

ADDITIONAL IMPORTANT OPERATING TIPS

- Tonneau cover MUST be free of foreign material including snow and ice before opening rail top.
- Do NOT tow your vehicle from the rear with the tonneau on your truck.
- Do NOT operate vehicle with objects on top of cover.

FAILURE TO FOLLOW THESE CAUTIONS MAY RESULT IN SEVERE DAMAGE AND WILL VOID YOUR WARRANTY!



Remove any snow or foreign matter before rolling cover.



Do NOT tow your vehicle from the rear with this cover on your truck.

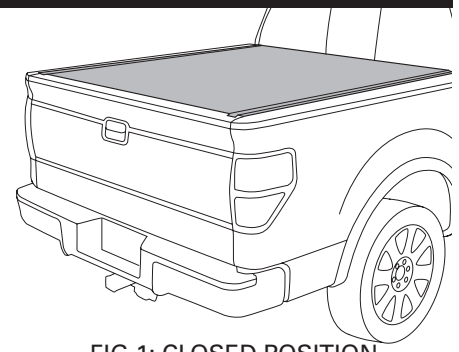


FIG 1: CLOSED POSITION

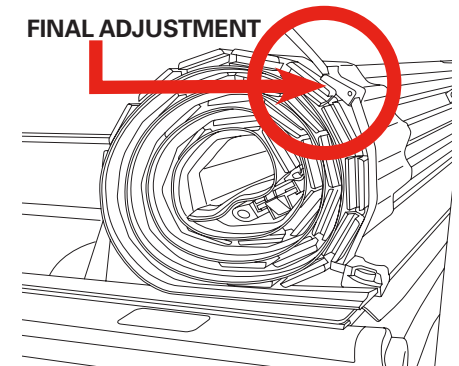


FIG 2: OPEN POSITION

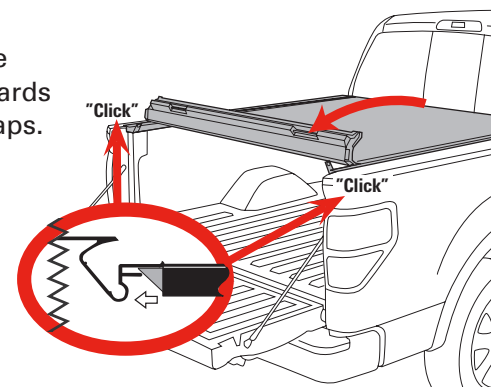


FIG 3: TO CLOSE THE COVER

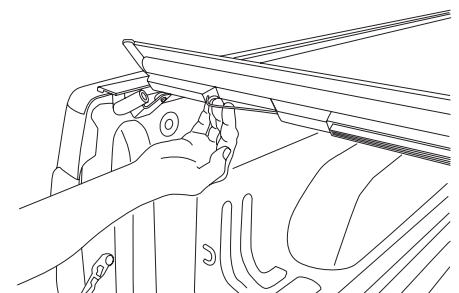


FIG 4: TO OPEN THE COVER

Warranty

BAK® Industries ("BAK") warrants your Revolver X2 Hard Rolling Cover to be structurally free from defects in material and workmanship for a period of 3 years from the retail date of purchase. Warranty registration must be on file and/or proof of original purchase (detailed and dated receipt) required for warranty service. Warranty is nontransferable and applies to the original purchaser of the BAK product only.

**REGISTER YOUR
WARRANTY NOW AT
BAKINDUSTRIES.COM**

BAK reserves the right to determine whether a product needs to be repaired or replaced. No labor or service allowance is given or implied. The warranty will be void if the product has been damaged by accident, unreasonable use, neglect, improper service/installation/removal, modifications, acts of God or normal wear and tear or other causes not arising out of defective materials or workmanship. BAK assumes no liability for injury, loss, incidental or consequential damages. BAK reserves the right to substitute an entire replacement system or provide other remedies than those listed in this warranty for discontinued products or other reasons. Shipping charges will apply for any repair or replacement.

Improper cleaning may also void your warranty. It is recommended to use the approved BAK treatment of the vinyl as outlined below or clean with soap and water only. Do not use vinyl conditioners (i.e. Armor All®) because they will shrink the vinyl.

BAK is committed to providing you with our best service at all times. Please feel free to contact us should you require any assistance with your BAK product.

CARE AND MAINTENANCE

Revolver X2 tonneaus are made from durable materials and require simple care to ensure a long life of performing well and looking great.

Cleaning the Top (Washing)

These stylish covers incorporate OE marine grade vinyl laminated on the top surfaces. Standard automotive soap and water used with a soft sponge or cloth is recommended for cleaning. Shabby dry to prevent water spots and ensure a rich dark finish.

Treating the Vinyl Top

3M™ 303® Aerospace Protectant may be used to keep the vinyl surface clean and protected from the elements and will also remove any water spots that may have developed. 303 Aerospace not only protects against fading, discoloration and cracking from harmful UV rays, but repels dust and stains. Simply spray on and wipe dry for a beautiful, matte finish that protects your cover from road grime and dust. Do not use vinyl conditioners (i.e. Armor All®) because they will shrink the vinyl.

Maintenance

It is recommended that you periodically check that the cover is securely attached to your truck bed. Inspect the clamps and front mounting bolts to ensure they were properly installed and have not come loose or knocked out of adjustment during operation. Covers that are used with high frequency or that are subject to the vibrations and impact from rough roadways can cause the cover to require adjustment.

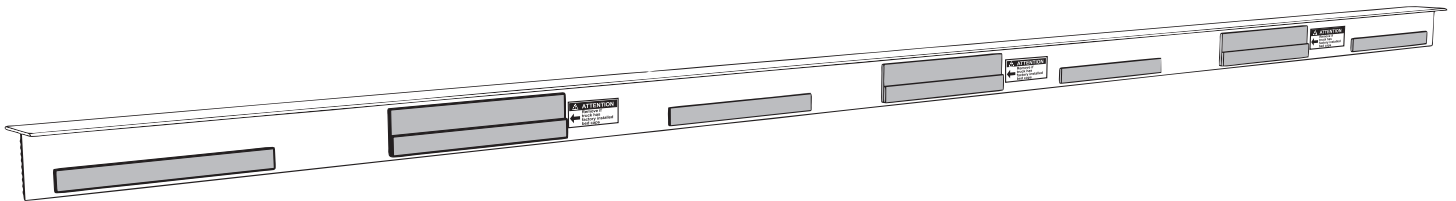
Lubricating the Latches

It is recommended that you periodically inspect and service the latches on the end of the roll top. Clean away any excess dirt or grime and use a spray lubricate. Ensure the latches move freely in and out to properly engage the side rail and provide proper performance with optimum security. Be careful not to overspray the cover. Wipe away any excess around the latch location.

⚠️ IMPORTANT: READ FIRST ⚠️

Thank you for your recent purchase of a **Revolver X2 Truck Bed Cover**, both spacer and angle shims are installed to the rails to provide an easy installation. Please refer to the guide on the back page for specific rail requirements.

See illustrations and refer to the guide on the back page to confirm corresponding application and rail style.



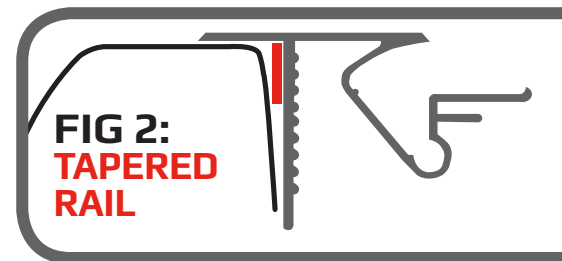
Tech Tip

Installing the Revolver X2 rails square to the truck bed rail is the key to a successful installation. Please note:

FIG 1: Some trucks have an indentation in the lower section of the bed rail.

FIG 2: Some trucks have a tapered clamping surface on the truck bed rail.

FIG 3: Some trucks have a square bed rail.



APPLICATION & RAIL TYPES GUIDE

YEAR	MODEL DESCRIPTION	RAIL TYPE
CHEVY / GMC		
88 - 98	C/K (All Bed Sizes)	D
99 - 06	Silverado/Sierra (6' 6" & 8' Bed Sizes)	D
04 - 06	Silverado/Sierra Crew Cab (5' 8" Bed Size)	D
07 - 13	Silverado/Sierra (Also: 2014 HD models)	D
14 - 15	Silverado, Sierra	E
2015	Colorado, Canyon	A
DODGE/RAM		
02 - 08	Ram	C
09 - 15	Ram (w/o Ram Box Cargo Mgmt)	B
FORD		
04 - 15	F-150	B
99 - 15	Super Duty	A
TOYOTA		
07 - 15	Tundra	B

