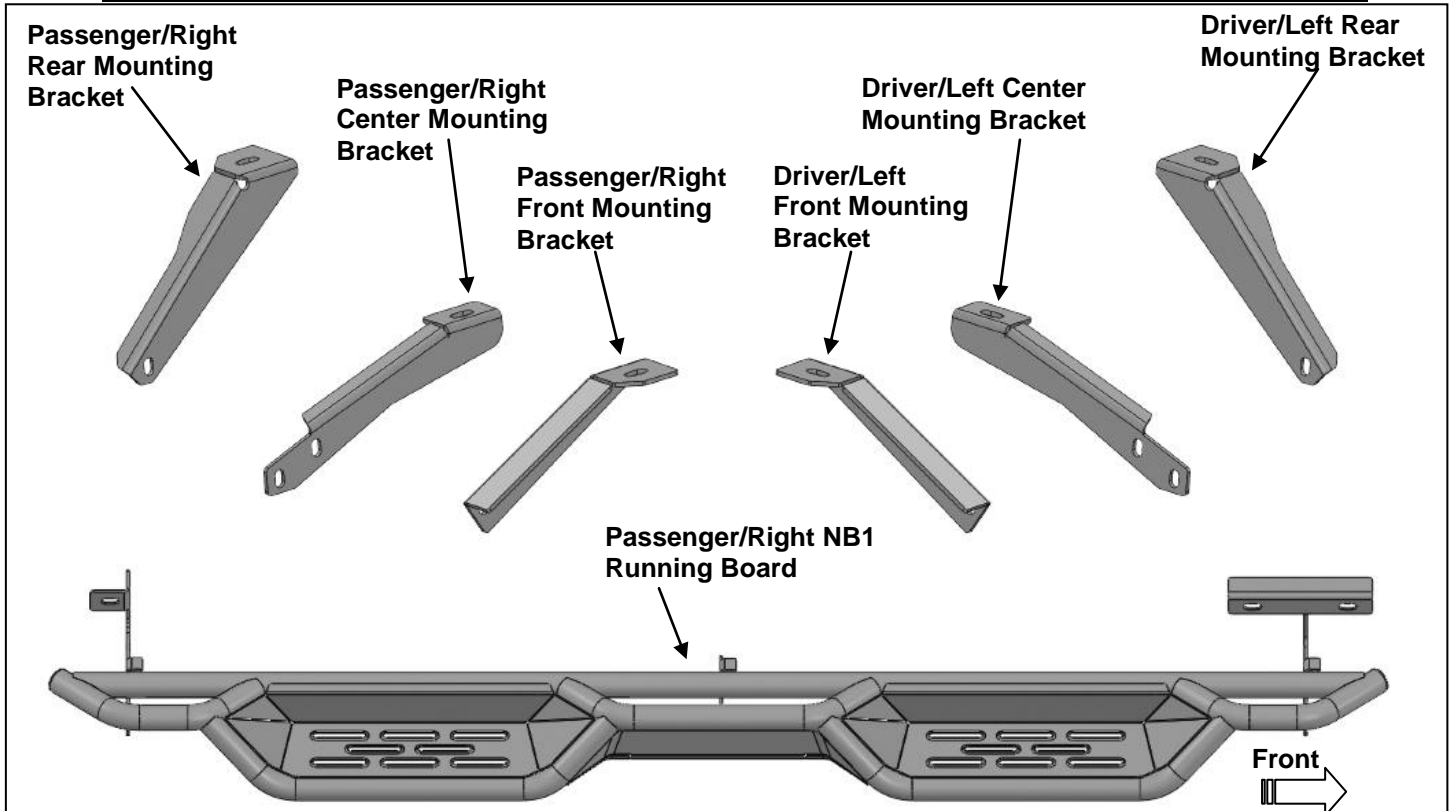


PARTS LIST:

1	Driver/Left NB1 Running Board	6	12mm x 32mm OD x 3mm Flat Washers
1	Passenger/Right NB1 Running Board	6	10-1.5mm Bolt Plates
1	Driver/Left Front Mounting Bracket	8	10-1.5mm x 35mm Hex Bolts
1	Passenger/Right Front Mounting Bracket	22	10mm x 27mm OD x 3mm Flat Washers
1	Driver/Left Center Mounting Bracket	6	10mm Lock Washers
1	Passenger/Right Center Mounting Bracket	6	10mm Hex Nuts
1	Driver/Left Rear Mounting Bracket	8	10mm Nylon Lock Nuts
1	Passenger/Right Rear Mounting Bracket	6	10mm Plastic Retainers
6	12-1.75mm x 120mm Hex Bolts	6	Spacer Washers
6	12mm Lock Washers		



PROCEDURE:

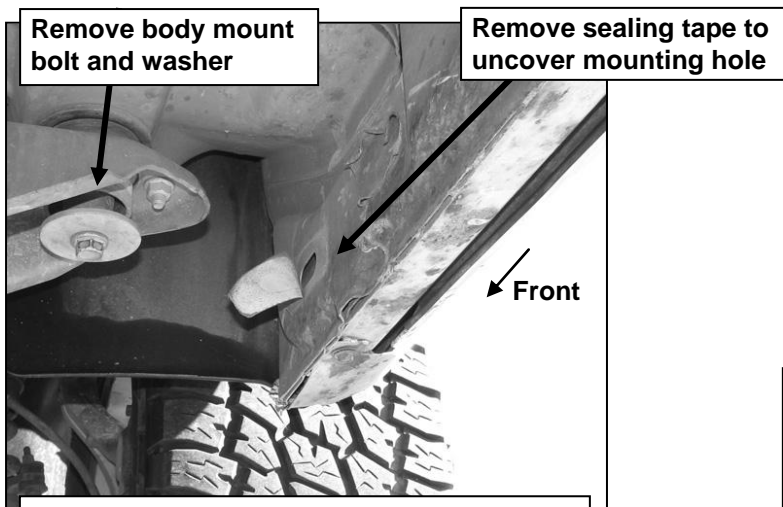
1. REMOVE CONTENTS FROM BOX. VERIFY ALL PARTS ARE PRESENT. READ INSTRUCTIONS CAREFULLY BEFORE STARTING INSTALLATION. ASSISTANCE IS RECOMMENDED.
2. Remove the tape covering the factory hole in the back side of the lower rocker panel near the Mounting Bracket, **(Figure 1)**.
3. Select (2) 10mm Bolt Plates. Insert the (2) Bolt Plates into the holes in the rocker panel. Thread (2) 10mm Plastic Retainers onto the threads to hold the Bolt Plates in place, **(Figures 2 & 3)**.
4. Repeat **Step 3** to insert (1) 10mm Bolt Plate into the rear location, **(Figures 4 & 5)**.
5. Select the Passenger/Right NB1 Running Board. Attach the Running Board to the (3) 10mm Bolt Plates with (2) 10mm Flat Washers, (2) 10mm Lock Washers and (2) 10mm Hex Nuts, **(Figures 6—9)**. Do not tighten hardware.
6. Select (1) Spacer Washer and the Passenger Right Front Mounting Bracket. Remove the body bolt from the from body mount. Attach the Mounting Bracket to the body mount with (1) 12mm x 120mm Hex Bolt, (1) 12mm Lock Washer and (1) 12mm Flat Washer. Next, attach the

Mounting Bracket to the Running Board with (1) 10mm Hex Bolt, (2) 10mm Flat Washers and (1) 10mm Nylon Lock Nut, **(Figure 11)**. Do not tighten hardware.

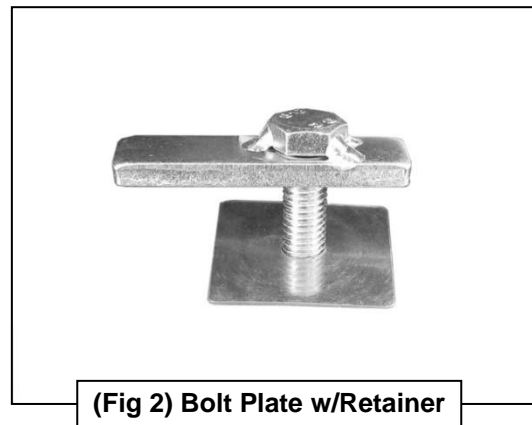
7. Repeat **Step 6** to attach the Passenger/Right Rear Mounting Bracket, **(Figure 12)**.
8. Move to the center body mount of the cab. Select the Passenger/Right Center Mounting Bracket. Repeat **Step 6** to attach the Bracket to the center body mount, **(Figures 13 & 14)**. Do not tighten hardware.
9. Attach the Running Board to the front face of the Mounting Bracket with (2) 10mm Hex Bolts, (4) 10mm Flat Washers and (2) 10mm Nylon Lock Nuts, **(Figure 15)**. Do not tighten hardware.
10. Level and adjust the NB1 Running Board and tighten all hardware.
11. Repeat **Steps 2—10** to attach the Driver/Left NB1 Running Board.
12. Do periodic inspections to the installation to make sure that all hardware is secure and tight.

To protect your investment, Do not use any type of polish or wax that may contain abrasives that could damage the finish. Mild soap may be used to clean the Running Boards.

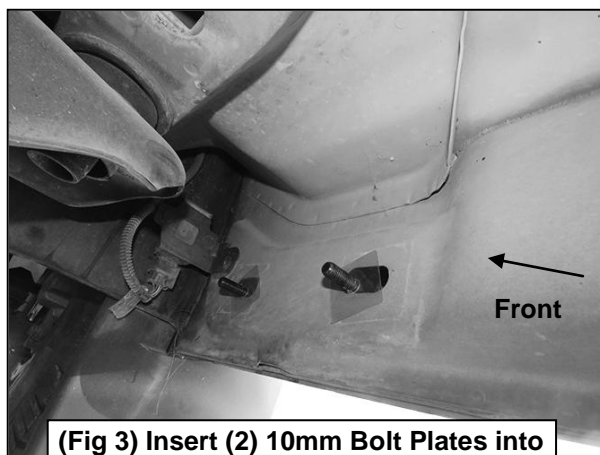
Passenger/Right Side Installation Pictured



(Fig 1) Passenger/Right front body mount

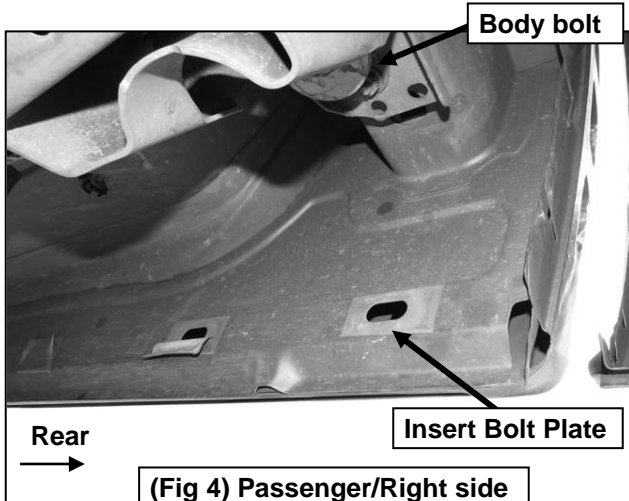


(Fig 2) Bolt Plate w/Retainer



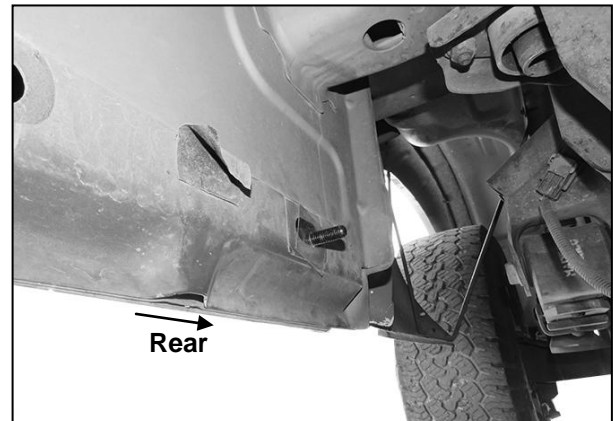
(Fig 3) Insert (2) 10mm Bolt Plates into the holes in the rocker panel. Thread (2) 10mm Plastic Retainers onto the Bolt Plates to hold them in place

Passenger/Right Side Installation Pictured

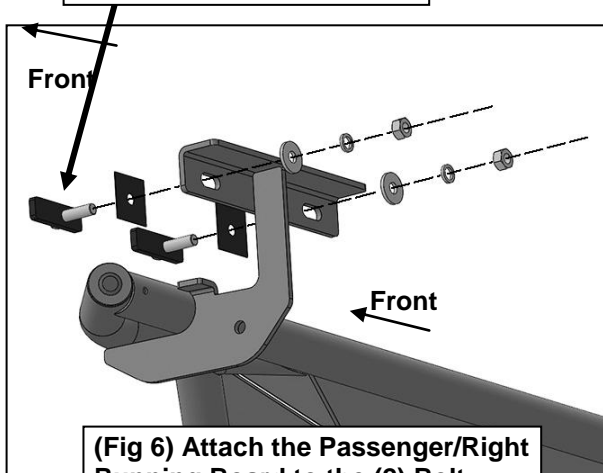


(Fig 4) Passenger/Right side Rear mounting location

- (2) 10mm Bolt Plates
- (2) 10mm Plastic Retainers
- (2) 10mm Flat Washers
- (2) 10mm Lock Washers
- (2) 10mm Hex Nuts

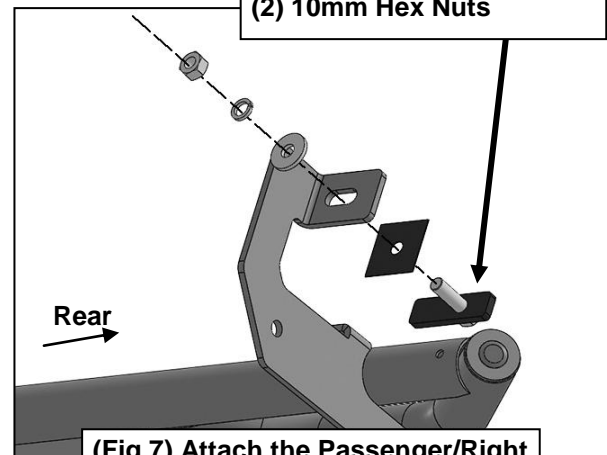


(Fig 5) Insert (1) 10mm Bolt Plate into the hole in the rocker panel. Thread (1) 10mm Plastic Retainer onto the Bolt Plate to hold it in place



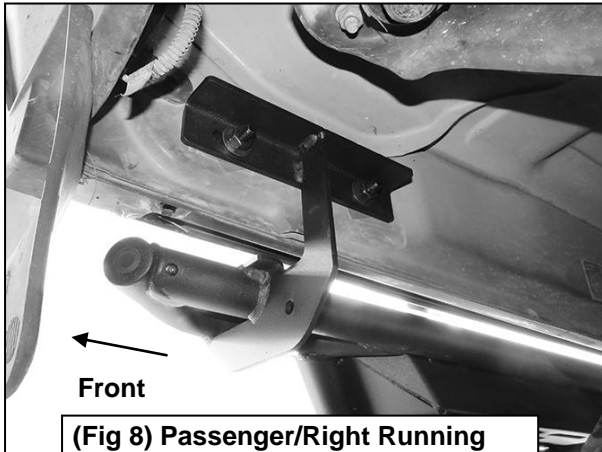
(Fig 6) Attach the Passenger/Right Running Board to the (2) Bolt Plates in the front location

- (2) 10mm Bolt Plates
- (2) 10mm Plastic Retainers
- (2) 10mm Flat Washers
- (2) 10mm Lock Washers
- (2) 10mm Hex Nuts

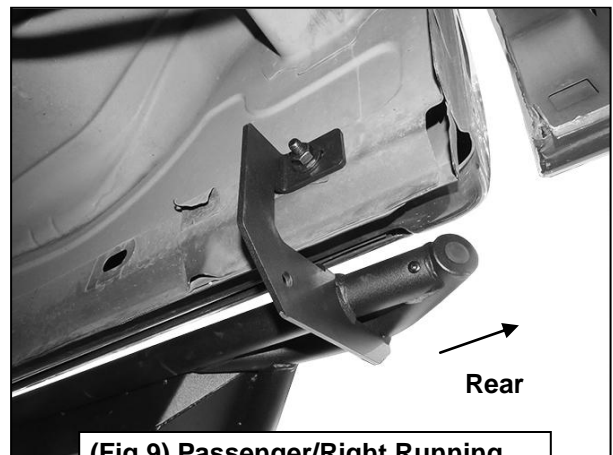


(Fig 7) Attach the Passenger/Right Running Board to the (1) Bolt Plate in the rear location

Passenger/Right Side Installation Pictured



(Fig 8) Passenger/Right Running Board attached to the front location



(Fig 9) Passenger/Right Running Board attached to the rear location

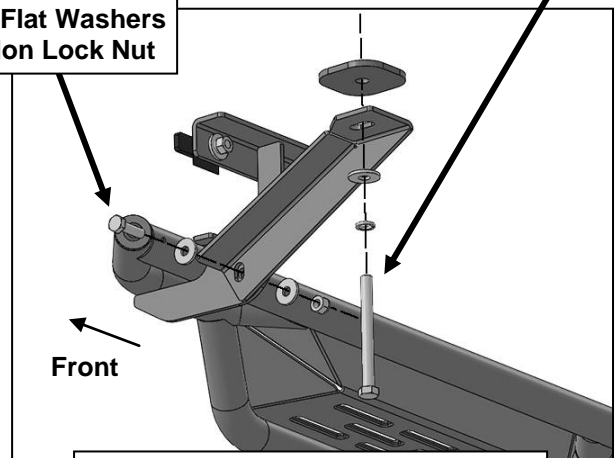


(Fig 10) Spacer Washer

IMPORTANT: Insert (1) Spacer Washer between each front and rear Support Bracket and factory rubber bushing

**10mm Hex Bolts
(2) 10mm Flat Washers
10mm Nylon Lock Nut**

**12mmx 120mm Hex Bolts
12mm Lock Washer
12mm Flat Washer
Spacer Washer**



Front

(Fig 11) Attach the Passenger/Right Front Support Bracket to the front body mount and Mounting Bracket

Passenger/Right Side Installation Pictured

