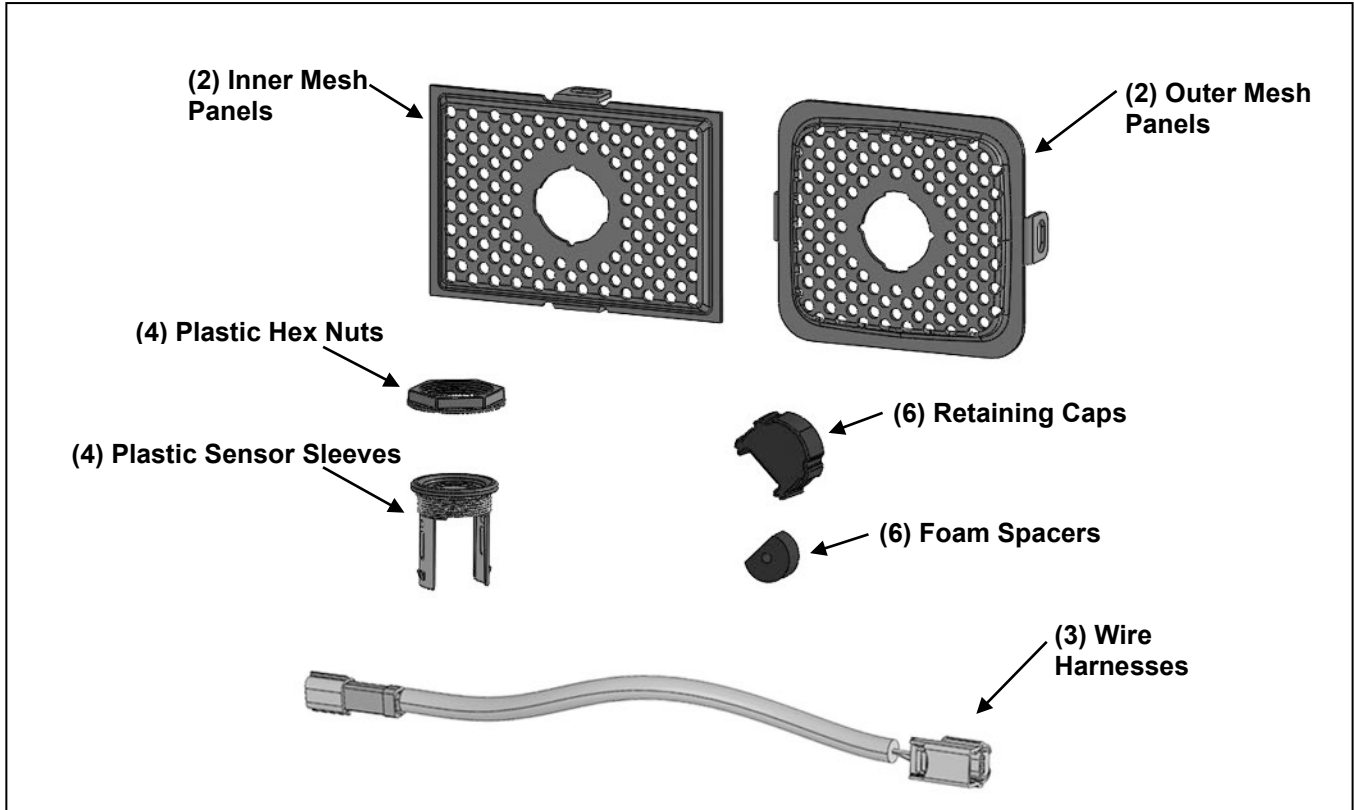


PARTS LIST:

2	Inner Mesh Panels	1	Sensor Cover Kit
2	Outer Mesh Panels	8	6mm x 20mm Button Head Combo Bolts
4	Plastic Sensor Sleeves	8	6mm Flange Nuts
6	20mm x 10mm Foam Spacers	12	4mm Self Tapping Screws
6	Retaining Caps	3	Wire Harnesses
4	Plastic Hex Nuts	1	4mm Hex Wrench



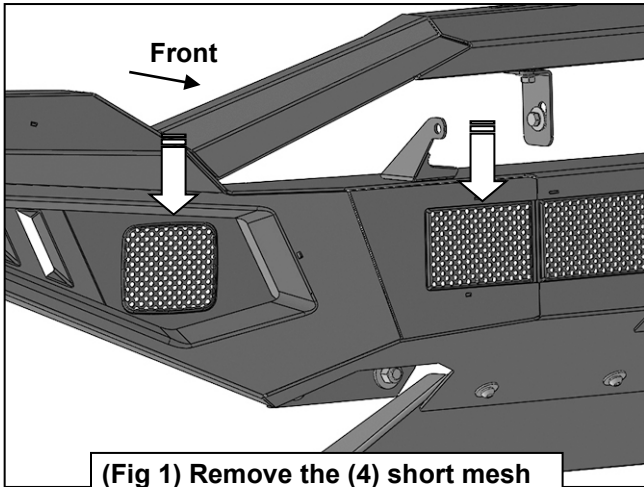
PROCEDURE:

REMOVE CONTENTS FROM BOX. VERIFY ALL PARTS ARE PRESENT. READ INSTRUCTIONS CAREFULLY BEFORE STARTING INSTALLATION. INSTALLATION OF LD2 FRONT BUMPER IS REQUIRED. PRE-INSTALLED SIDE SENSOR SLEEVES ARE REQUIRED.

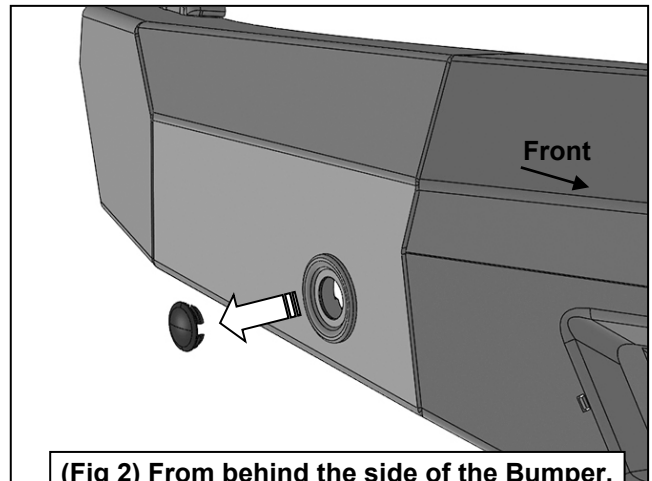
1. Start the installation at the rear of the front bumper. Remove the (4) small mesh panels attached to the back of the bumper, **(Figure 1)**.
2. Move to the Passenger/Right side of the bumper. Locate the rubber plug in the sensor holes. From behind the bumper, push to remove the plug, **(Figure 2)**. Repeat this **Step** to remove the Driver/Left rubber plug.
3. **For the (2) Inner Mesh Panels:** Select (1) Inner Mesh Panel. Attach (1) Sensor Sleeve to the Mesh Panel with (1) Plastic Hex Nut. **NOTE:** The inner Sensor Sleeves with attach vertically to allow the wire harness to not interfere with the mounting tabs, **(Figure 3)**. Repeat this **Step** to attach (1) Sensor Sleeve to the remaining (1) Inner Mesh Panel.
4. **For the (2) Outer Mesh Panels:** Select (1) Outer Mesh Panel. Attach (1) Sensor Sleeve to the Mesh Panel with (1) Plastic Hex Nut. **NOTE:** The outer Sensor Sleeves with attach horizontally to allow the wire harness to not interfere with the mounting tabs, **(Figure 4)**. Repeat this **Step** to attach (1) Sensor Sleeve to the remaining (1) Outer Mesh Panel.
5. Select (1) parking sensor. Attach the sensor to (1) Mesh Panel assembly with (1) Foam Washer, (1) Foam Spacer and (1) Retaining Cap, **(Figure 5)**. Repeat this **Step** to attach the remaining (3) parking sensors to the (3) Mesh Panel assemblies and For Dodge Ram vehicles attach (2) parking sensors to the (2) outer sensor sleeves attached to the bumper.

6. Attach the mesh Panel assemblies to the back of the bumper with (8) 6mm Combo Bolts and (8) 6mm Flange Nuts, **(Figure 6)**.
7. Attach the wiring harnesses to the correct parking sensor. If necessary, use the (3) Wire Harnesses included in this kit to reach the (3) Passenger/Right parking sensors, **(Figure 7)**.
8. Do periodic inspections to the installation to make sure that all hardware is secure and tight.

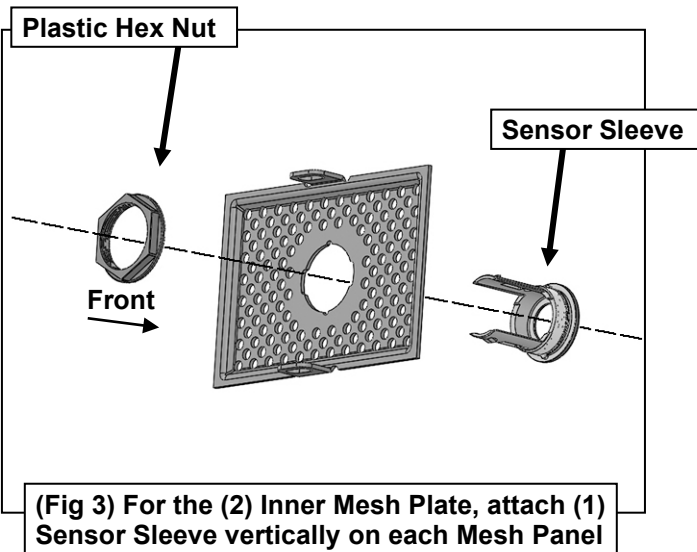
To protect your investment, Mild soap may be used to clean the Front Bumper assembly.



(Fig 1) Remove the (4) short mesh panels from the LD2 Front Bumper



(Fig 2) From behind the side of the Bumper, push to remove the rubber plug



(Fig 3) For the (2) Inner Mesh Plate, attach (1) Sensor Sleeve vertically on each Mesh Panel

