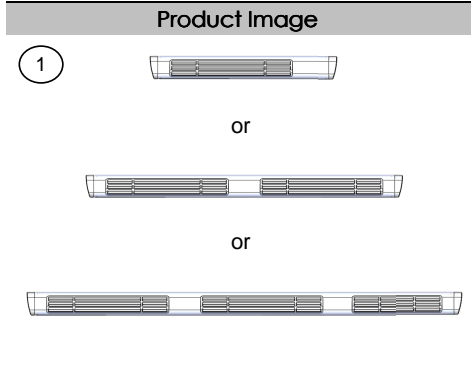


INSTALLATION INSTRUCTIONS

UNIVERSAL RUNNING BOARD

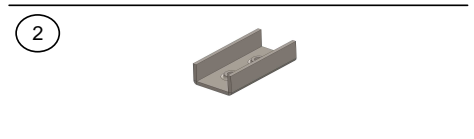
Parts List					
Item	Qty.	Code	Description	Max. Torque	
1	1 Set	-	Running Board	-	
2	6 Pc.	396804AA	U (Clamp) Bracket *	-	

* Wheel to Wheel Running Boards have the U (Clamp) Brackets included on the Bracket Kit (Sold Separately)



Required Tools (Not included)

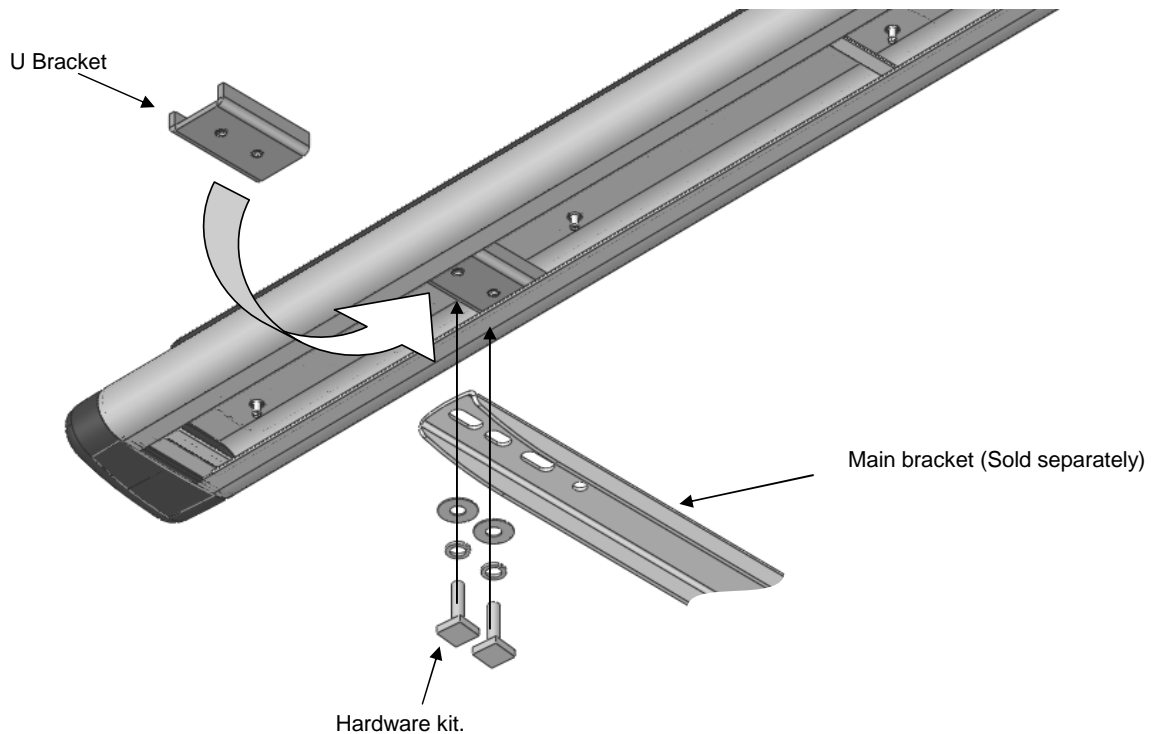
Qty.	Description
1	15mm Wrench
1	17mm Socket
1	Ratchet



Instructions

1. Before beginning the installation, please read all directions carefully and verify that all necessary hardware is accounted for. If any parts are missing, stop the installation and contact your distributor immediately.
2. To maintain and care this product keep it clean and do not use abrasive cleaners or polish waxes. We recommend to use only non-abrasive automotive wax such as pure carnauba to avoid scratches and rust.
3. Once the main brackets are installed **(sold separately)**, the approximate installation time is **15 min.**
4. Place the U brackets inside the Running Board. Move them to align to the main brackets. **See illustration 1.**
5. Place the flat and lock washers with the square head bolts. This hardware kit is included on the main brackets that are **(sold separately)**. **See illustration 1.**
6. Align the Running board and tighten the bolts using a 1/2" wrench.
7. **NOTE: For some regular cabs only two U brackets are needed per side.**

ILLUSTRATION 1.



INSTALLATION INSTRUCTIONS

BRACKET	OVAL SIDE BAR WIDESIDER 4"	WHEEL TO WHEEL WIDESIDER 4"	RUNNING BOARD WIDESIDER 5" & 6"	APPLICATION	MODEL
391235 684097B	-	394323	-	DODGE RAM 1500 / 2500 / 3500 QUAD CAB. 6.5'	02 - 08
	394123	-	39087	DODGE RAM 1500 / 2500 / 3500 QUAD CAB.	02 - 08
	64097	-	39087	DODGE RAM 1500 / 2500 / 3500 QUAD CAB.	02 - 08

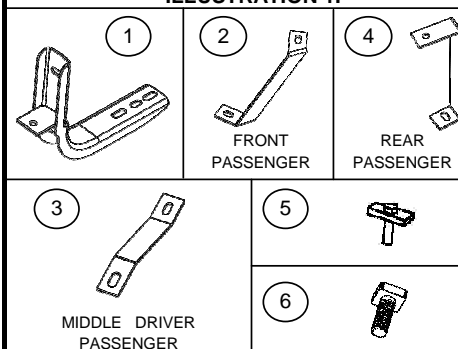
Parts List:

ITEM	QTY.	CODE	DESCRIPTION	TORQUE
1	6	3911230AA	Main bracket	-
2	1	3911232AA	Front auxiliary bracket set	-
3	2	3911232BA	Middle auxiliary bracket	-
4	1	3911232CA	Rear auxiliary bracket set	-
5	10	370200AA	3/8" bolt plate	30 Lb/Ft
KTE-391235 Hardware kit including:				
6	12	-	5/16" Box head bolt	11 Lb/t
7	12	-	5/16" Flat washer	-
8	12	-	5/16" Lock washer	-
9	12	-	5/16" Hex nut	11 Lb/t
10	6	-	3/8 x 1 1/4" Carriage head bolt	30 Lb/Ft
11	16	-	3/8" Flat washer	-
12	16	-	3/8" Lock washer	-
13	16	-	3/8" Hex nut	30 Lb/Ft
14	6	-	Vinyl gasket	-
NOTE: 394123(9-8-6-0) - 394323(6-9) / 64097(B-C-PS-BS) INCLUDES:				
15	1	-	Oval 4" Widesider bar set	-

Tools required not including:

DESCRIPTION	QTY
Socket hex 19mm -9/16" - 1/2"	1
17mm Double hex socket (12 point) or 15mm Wrench	1
Ratchet	1
Extension ratchet	1

ILLUSTRATION 1.



Approximated installation time: 30 min.

Instructions:

1. Before beginning the installation read all instructions thoroughly and verify that all hardware is accounted for. If there are any listed parts missing, please notify your distributor immediately.

ILLUSTRATION 2.

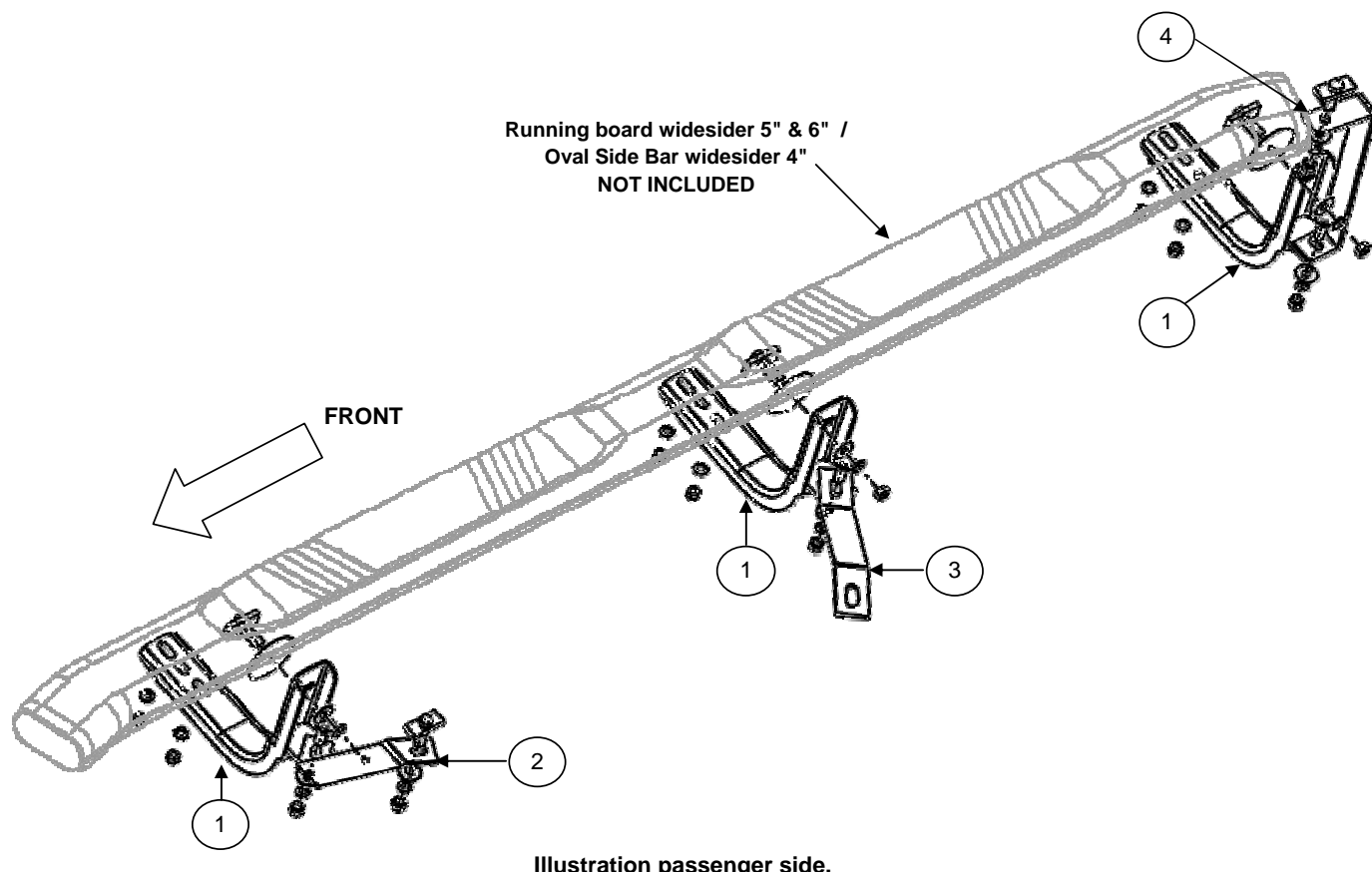


Illustration passenger side.

Cleaning and care instructions:

Protect the finish with a non-abrasive automotive wax, (e.g. Pure Carnauba) on a regular basis. The use of any soap, polish, or wax that contains an abrasive is detrimental to the finish, as the compounds scratch the finish and cause corrosion.

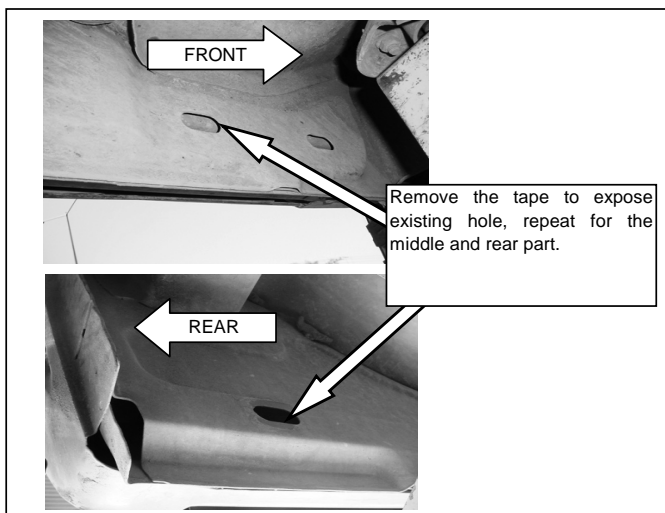
Design:

Quality:

INSTALLATION INSTRUCTIONS

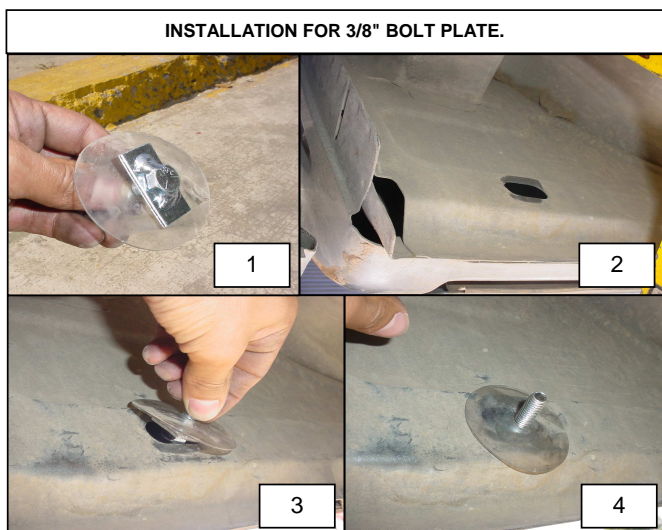
2. To install front, middle & rear mounting brackets locate in the rocker panel the holes covered in tape and remove the tape. Place (1) vinyl gasket to the bolt of the "T" plate then insert into the exposed hole. **SEE PICTURE 1.**

PICTURE 1.



NOTE 1: It is important to place vinyl gaskets to the bolts to prevent the 3/8" bolt plate from falling into the rocker panel. **SEE PICTURE 2.**

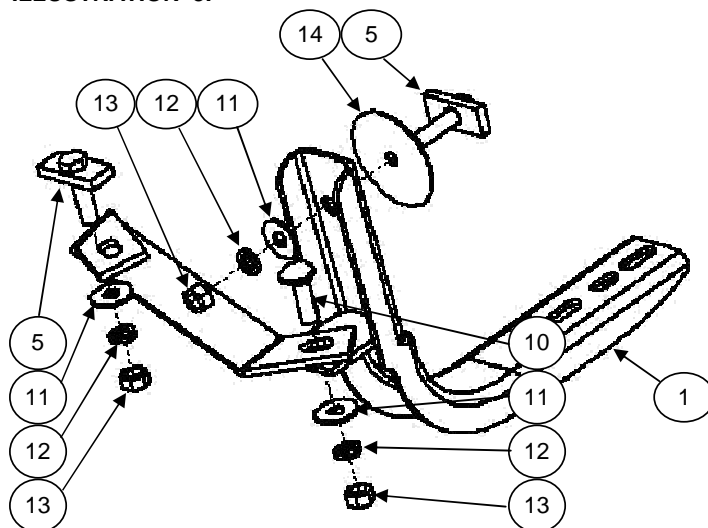
PICTURE 2.



3. Place (1) front mounting bracket attach to the 3/8" bolt plate previously placed using: 3/8" flat and lock washers and 3/8" hex nut. Leave loose.

4. To install auxiliary front mounting bracket, locate existing hole next to the cab's mounting support then insert through the hole 3/8" bolt plate. Place auxiliary front mounting bracket and secure to the 3/8" bolt plate using: 3/8" flat and lock washers and 3/8" hex nut. Secure the other end to front mounting bracket using 3/8 x 1" carriage head bolt, 3/8" flat and lock washers and 3/8" hex nut. **SEE ILLUSTRATION 3.** Leave loose.

ILLUSTRATION 3.

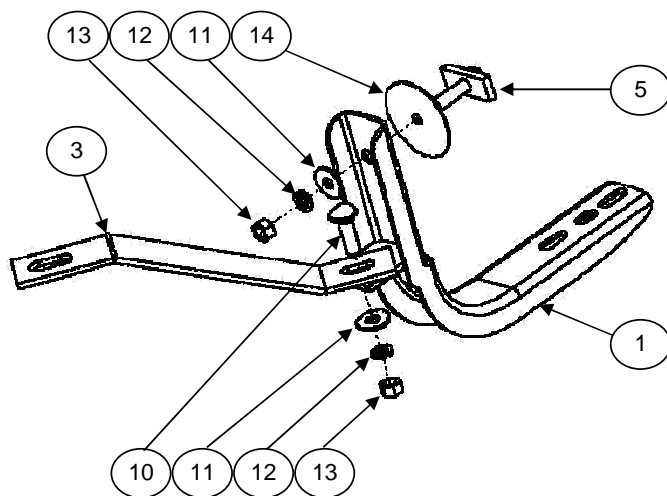


Use ratchet & 9/16" hex socket.

5. Place (1) middle mounting bracket attach to the 3/8" bolt plate previously placed using: 3/8" flat and lock washers and 3/8" hex nut. Leave loose.

6. Remove the support of the body mount, located in a flank of the frame, middle part, identify and you mount auxiliary brackets and attach with bolts before removed. Secure the other end to middle mounting bracket using 3/8 x 1" carriage head bolt, 3/8" flat and lock washers and 3/8" hex nut. **SEE ILLUSTRATION 4.** Leave loose.

ILLUSTRATION 4.



Use ratchet & 19mm - 9/16" hex socket.
Remove the bolt OEM with: ratchet & 19mm hex socket.

Cleaning and care instructions:

Protect the finish with a non-abrasive automotive wax, (e.g. Pure Carnauba) on a regular basis. The use of any soap, polish, or wax that contains an abrasive is detrimental to the finish, as the compounds scratch the finish and cause corrosion.

Design:

Quality:

INSTALLATION INSTRUCTIONS

7. Place (1) rear mounting bracket attach to the 3/8" bolt plate previously placed using: 3/8" flat and lock washers and 3/8" hex nut. Leave loose.

8. To install auxiliary rear mounting bracket, locate existing hole next to cab's support. **SEE PICTURE 1.** Introduce (1) 3/8" bolt plate then place rear auxiliary mounting bracket and secure to the bolt previously placed using 3/8" flat and lock washers and 3/8" hex nut. Secure the other end to the rear mounting bracket using 3/8 x 1" carriage head bolt, 3/8" flat and lock washers and 3/8" hex nut. **SEE ILLUSTRATION 5.** Leave loose.

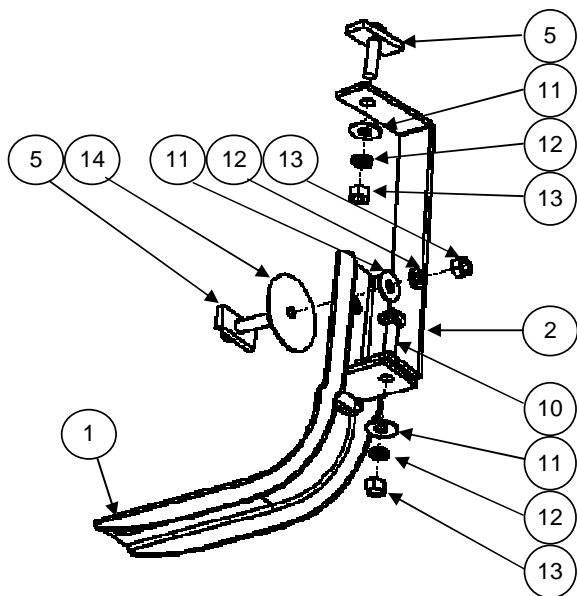
10. If you acquired a Oval side bar widesider 4", place on brackets and attach with: 5/16" square head bolt, 5/16" Flat and lock washer. **SEE ILLUSTRATION 7.** Repeat for the opposite side. Leave loose.

11. Align Running board widesider 5" & 6" or Oval side bar widesider 4" and then tighten all bolts.

12. Periodically check your product because it may need a re-tighten of bolts.

13. Fill the warranty card and place it inside your vehicle's glove box.

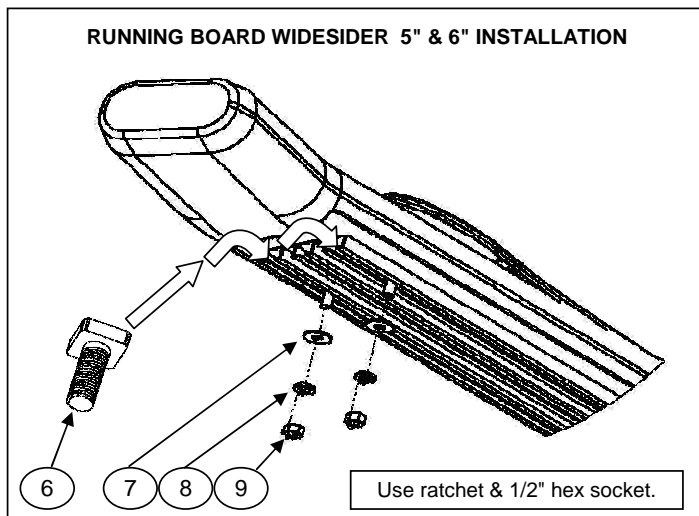
ILLUSTRATION 5.



Use ratchet & 9/16" hex socket.

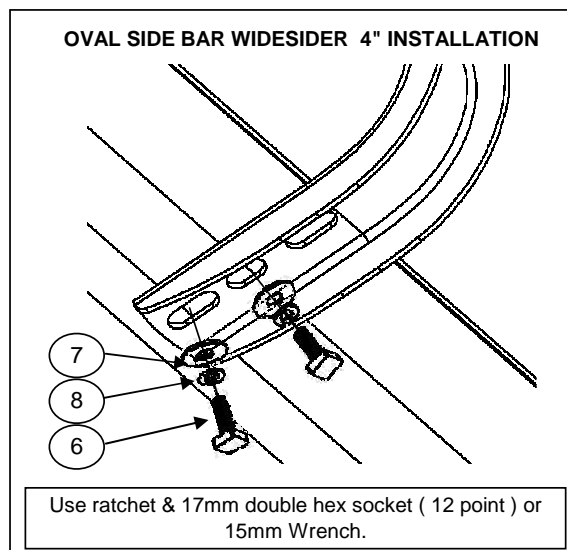
9. If you acquired a Running board widesider 5" & 6", insert 5/16" square head bolt on rail, place on brackets and attach with: 5/16" Flat and lock washer, 5/16" hex nut. **SEE ILLUSTRATION 6.** Repeat for the opposite side. Leave loose.

ILLUSTRATION 6



Use ratchet & 1/2" hex socket.

ILLUSTRATION 7



Use ratchet & 17mm double hex socket (12 point) or 15mm Wrench.

Cleaning and care instructions:

Protect the finish with a non-abrasive automotive wax, (e.g. Pure Carnauba) on a regular basis. The use of any soap, polish, or wax that contains an abrasive is detrimental to the finish, as the compounds scratch the finish and cause corrosion.

Design:

Quality: