

BARRICADE

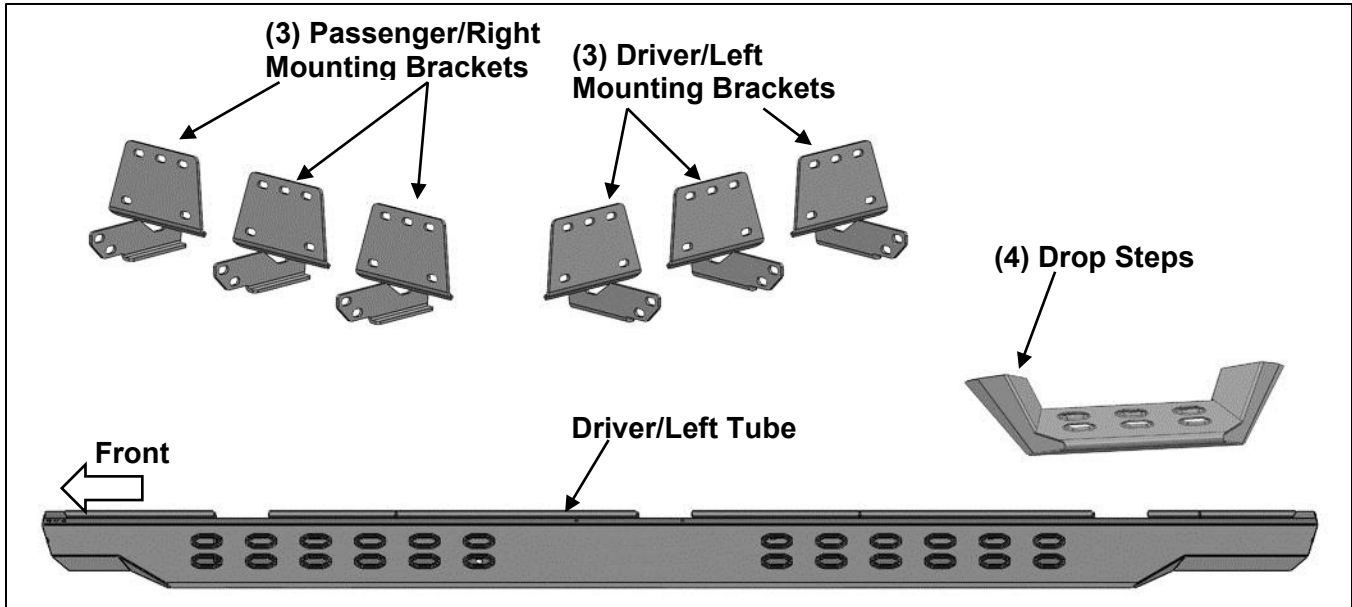
**INSTALLATION INSTRUCTIONS
HD OVERLAND DROP SIDE STEP BARS**

**2019-2023 1500 CREW CAB
(EXCLUDING 19-23 RAM 1500 CLASSIC)**

SKU # R144176

PARTS LIST:

1	Driver/Left Tube	12	10mm Nylon Lock Nuts
1	Passenger/Right Tube	8	8mm x 25mm Triangle Double Bolt Plates
4	Driver/Left Drop Steps	18	8mm x 24mm OD x 2mm Flat Washers
6	Mounting Brackets	16	8mm x 22mm OD x 2mm Flat Washers
12	10mm x 30mm Hex Bolts	34	8mm Nylon Lock Nuts
24	10mm x 20mm OD x 2mm Flat Washers		

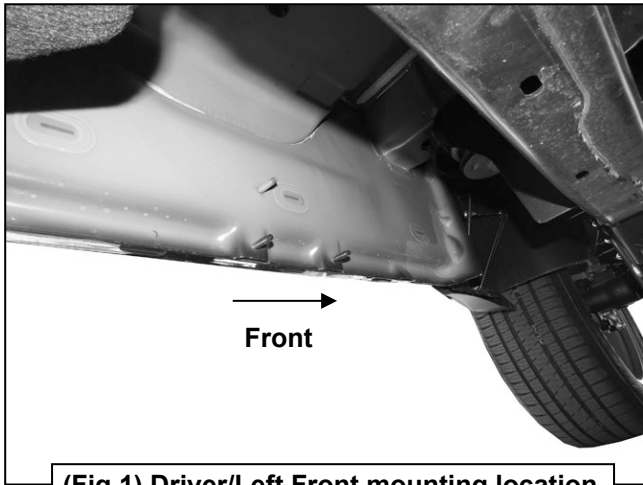


PROCEDURE:

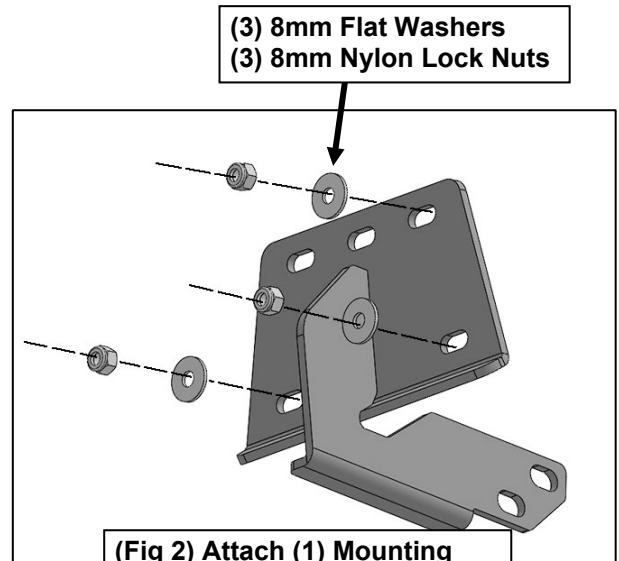
- 1. REMOVE CONTENTS FROM BOX. VERIFY ALL PARTS ARE PRESENT. READ INSTRUCTIONS CAREFULLY BEFORE STARTING INSTALLATION. USE WIRE BRUSH TO CLEAN MOUNTING STUDS OF PAINT AND DEBRIS.**
- Start the installation under the Driver/Left side of the vehicle. Locate the front (3) factory studs along the inner side of the body panel, **(Figure 1)**.
- Select (1) Driver/Left Mounting Bracket. Attach the Mounting Bracket to the (3) factory studs with (3) 8mm Flat Washers and (3) 8mm Nylon Lock Nuts, **(Figure 2)**. Leave hardware loose at this time.
- Repeat **Steps 1—3** to attach the remaining (2) Driver/Left Mounting Brackets to the center and rear mounting locations along the body panel, **(Figures 3 & 4)**.
- Select the Driver/Left Tube. Insert (2) 8mm Double Bolt Plates into the front (2) sets of (2) holes, **(Figure 5)**. Attach (1) Drop Step to the (2) Triangle Double Bolt Plates with (4) 8mm x 22mm Flat Washers and (4) 8mm Nylon Lock Nuts, **(Figure 6)**. Do not tighten hardware.
- With assistance, line up the mounting tabs in the Driver/Left Tube to the rear faces of the Mounting Brackets. Secure the Tube to the Mounting Brackets with (6) 10mm Hex Bolts, (12) 10mm x 20mm Flat Washers and (6) 10mm Nylon Lock Nuts, **(Figure 7)**. Do not tighten hardware.
- Level and adjust the Overland Step, then tighten all hardware.
- Repeat **Steps 1—7** to attach the Passenger/Right Overland Step.
- Do periodic inspections to the installation to make sure that all hardware is secure and tight.

To protect your investment: Do not use any type of polish or wax that may contain abrasives that could damage the finish. Mild soap may be used also to clean the Overland Steps.

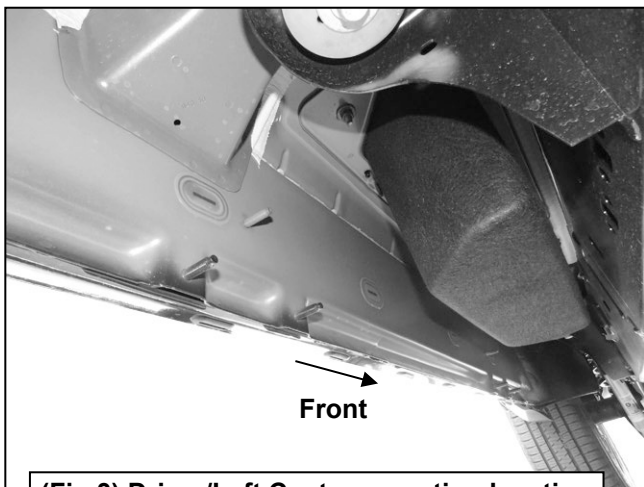
Driver/Left Side Installation Pictured



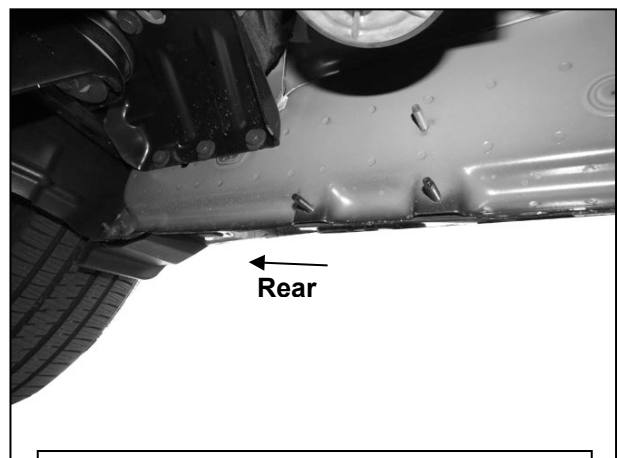
(Fig 1) Driver/Left Front mounting location



(Fig 2) Attach (1) Mounting Bracket to the threaded studs

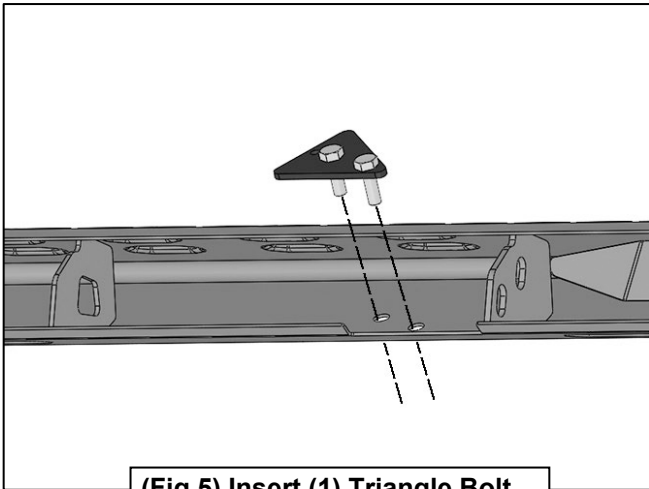


(Fig 3) Driver/Left Center mounting location

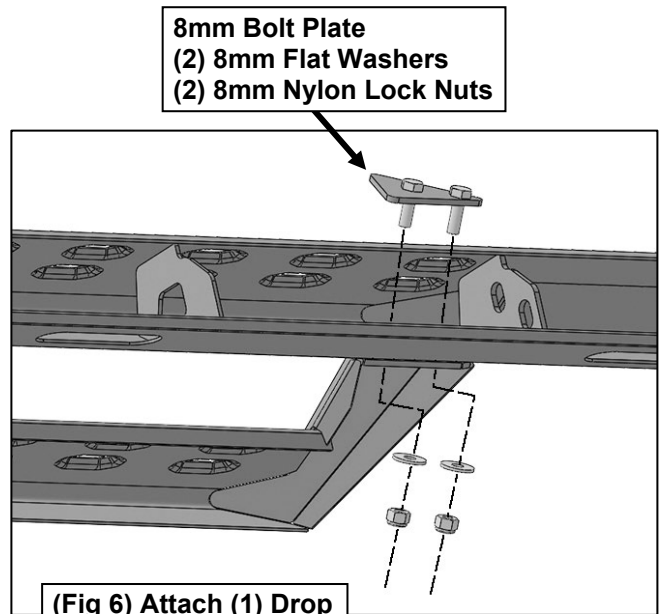


(Fig 4) Driver/Left Rear mounting location

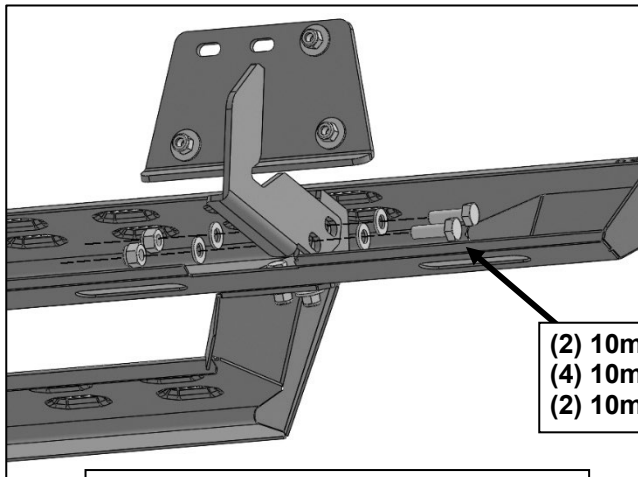
Driver/Left Side Installation Pictured



(Fig 5) Insert (1) Triangle Bolt Plate into the holes in the Tube



(Fig 6) Attach (1) Drop Step to (2) Bolt Plates



(Fig 7) Attach the Driver/Left Overland Slider to the (3) Mounting Brackets