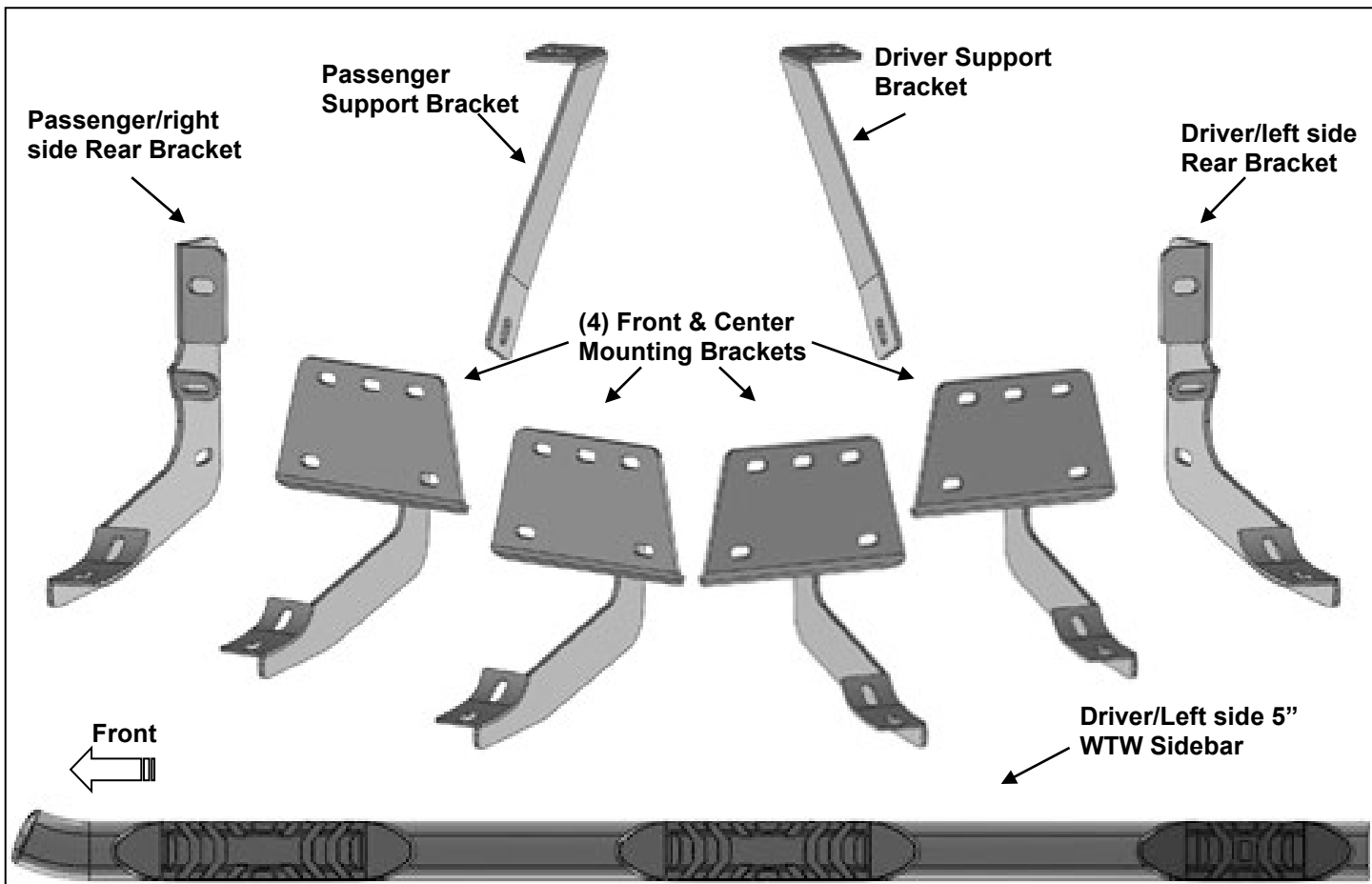


PARTS LIST: R151852 R151851

1	Driver/left Side Sidebar	2	10-1.50mm Hex Nuts
1	Passenger/right Side Sidebar	2	10-1.50mm Bolt Plate
4	Front & Center Brackets (use left or right)	2	10mm x 30mm x 2.5mm Flat Washers
1	Driver/left Rear Bracket	2	10mm Lock Washers
1	Passenger/right Rear Bracket	2	10mm Plastic Retainers
1	Driver/left Rear Support Bracket	2	6-1.00mm x 30mm Hex Bolts
1	Passenger/right Rear Support Bracket	4	6mm x 18mm x 1.6mm Flat Washers
2	8-1.25mm x 30mm Combo Bolts	2	6-1.00mm Nylon Lock Nuts
16	8mm x 24mm x 2mm Flat Washers	2	8-1.25mm x 30mm Hex Bolts
14	8mm Nylon Lock Nuts		



PROCEDURE:

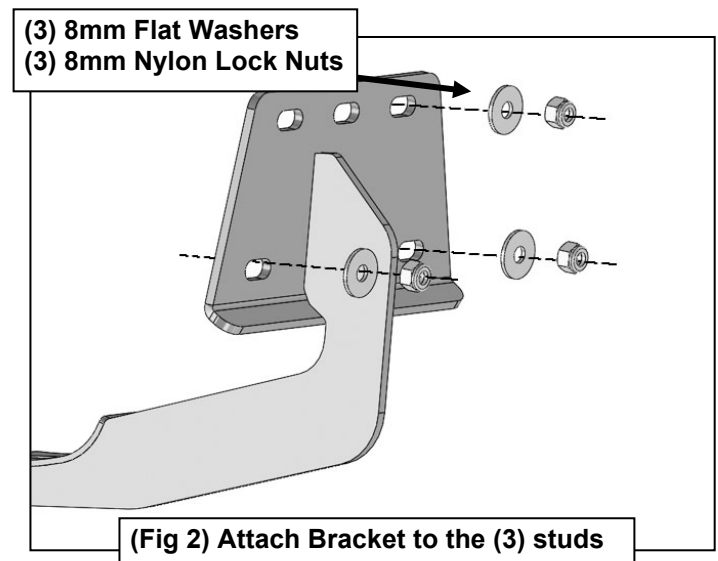
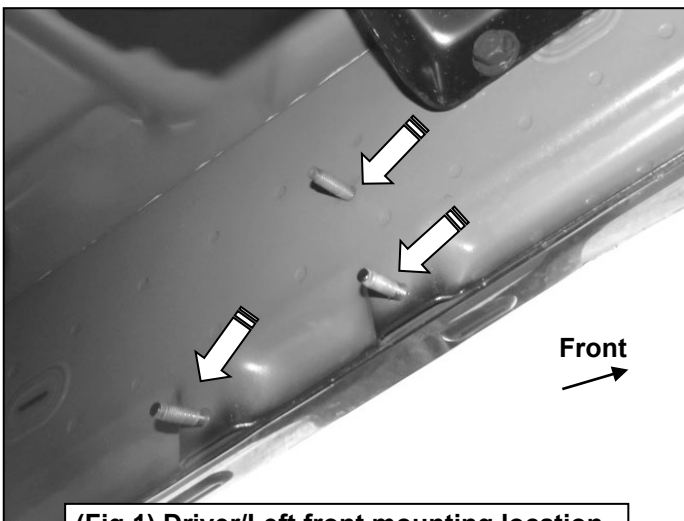
REMOVE CONTENTS FROM BOX. VERIFY ALL PARTS ARE PRESENT. READ INSTRUCTIONS CAREFULLY BEFORE STARTING INSTALLATION. ASSISTANCE IS RECOMMENDED. DRILLING IS REQUIRED.

1. Start the installation under the Driver/Left side of the vehicle. Locate the front (3) factory studs along the inner side of the body panel, **(Figure 1)**. **NOTE:** Use a wire brush on studs to remove paint and debris.
2. Select (1) Front & Center Bracket. **NOTE:** There are (4) Front & Center Brackets that will fit left or right side. Attach the Mounting Bracket to the (3) factory studs with (3) 8mm Flat Washers and (3) 8mm Nylon Lock Nuts, **(Figure 2)**. Leave brackets loose at this time.
3. Move to the center mounting location, **(Figure 3)**. Repeat **Steps 1 & 2** to install (1) Front & Center Bracket in the center mounting location.
4. Move to the rear mounting location, **(Figure 4)**. Select the Driver/Left side Rear Bracket. **NOTE:** Each Rear Bracket is unique. When installed properly, the Rear Bracket flanges will face towards the rear. See illustration above to help identify the correct Bracket. Remove cover over hole in rocker panel.

5. Thread (1) 10mm Plastic Retainer onto (1) 10mm Bolt Plate. Insert the Plate into the hole, rotate 90 degrees and tighten Plastic Retainer until snug, **(Figure 5)**.
6. Attach Rear mounting bracket with (1) 10mm Flat Washer, (1) 10mm Lock Washer and (1) 10mm Hex Nut on the upper location.
7. Next, select the Driver/Left side Support Bracket. Use the illustration above and **(Figure 8)** to help determine the correct Support Bracket for each side.
8. Temporarily, remove the rear body bolt from the body mount, **(Figure 4)**. Reuse the factory body bolt to attach the top end of the Support Bracket to the body mount, **(Figure 7)**.
9. Next, attach the bottom end of the Support Bracket to the front side of the Rear Bracket with (1) 8mm x 30mm Hex Bolt, (2) 8mm Flat Washers and (1) 8mm Nylon Lock Nut, **(Figures 7 & 9)**. Do not tighten hardware at this time.
10. Carefully unwrap and select the Driver/Left Sidebar. Use the illustration above to help identify the correct Sidebar. Place the Sidebar on top of the Brackets. **IMPORTANT:** Do not slide, (front to back or rotate), the Sidebar on the Brackets or damage to the finish on the Sidebar may result.
11. Attach the Sidebar to the Brackets with (6) 8mm Combo Hex Bolts, **(Figures 10—12)**. Do not tighten hardware at this time.
12. Level the Sidebar to the vehicle and tighten all hardware at this time.
13. Determine, and mark where lower mounting location for the rear bracket on the pinch weld will be and drill through pinch weld, **(Figures 13 & 14)**. Use a 1/4 inch drill bit to drill through pinch weld. On the pinch weld select (1) 6mm Hex Bolt, (2) 6mm Flat Washers and (1) 6mm Nylon Lock Nut. Leave bolts loose at this time, **(Figure 15)**.
14. Repeat **Steps 1—13** for Passenger/Right Sidebar installation.
15. Do periodic inspections to the installation to make sure that all hardware is secure and tight.

To protect your investment, Do not use any type of polish or wax that may contain abrasives that could damage the finish. Mild soap may be used also to clean the Sidebar.

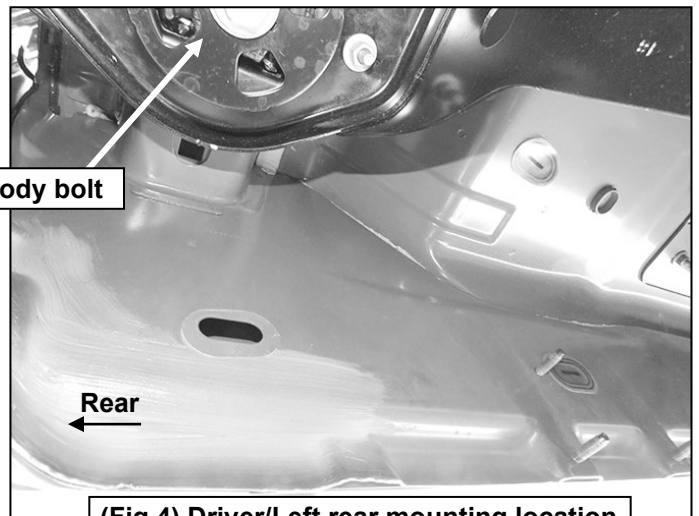
Driver/Left Side Installation Pictured



Driver/Left Side Installation Pictured

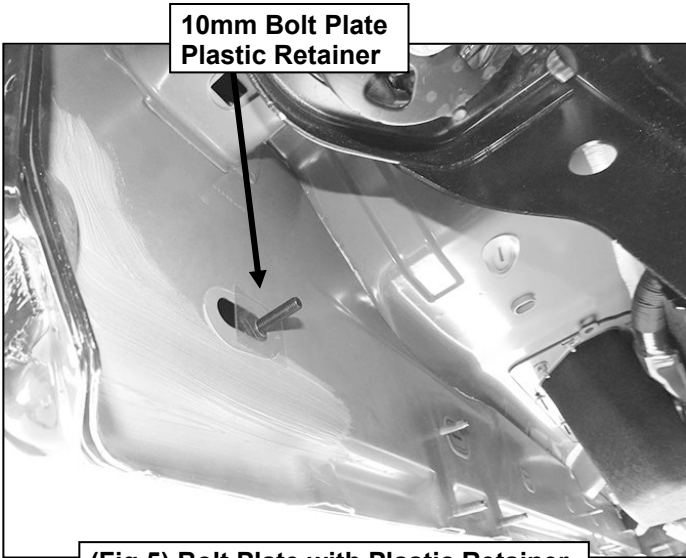


(Fig 3) Driver/Left center mounting location



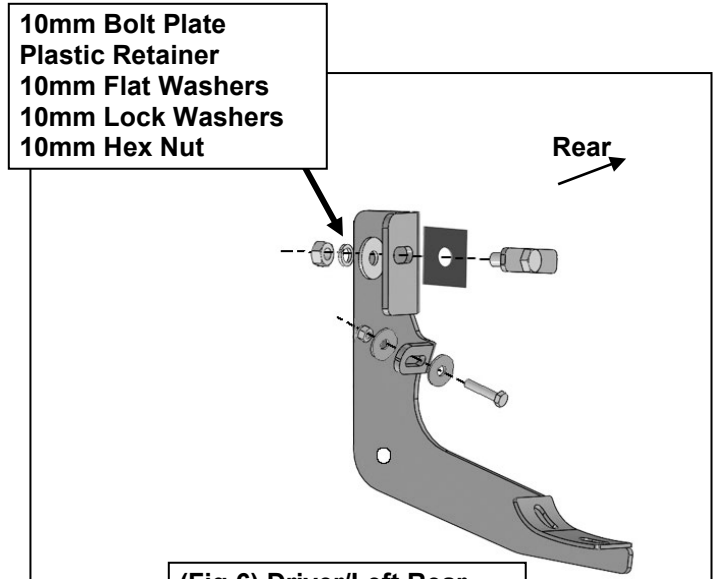
Rear body bolt

(Fig 4) Driver/Left rear mounting location



**10mm Bolt Plate
Plastic Retainer**

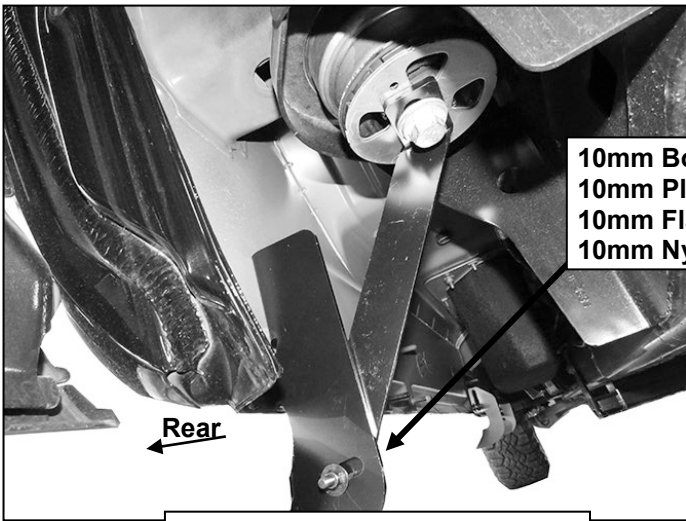
(Fig 5) Bolt Plate with Plastic Retainer



**10mm Bolt Plate
Plastic Retainer
10mm Flat Washers
10mm Lock Washers
10mm Hex Nut**

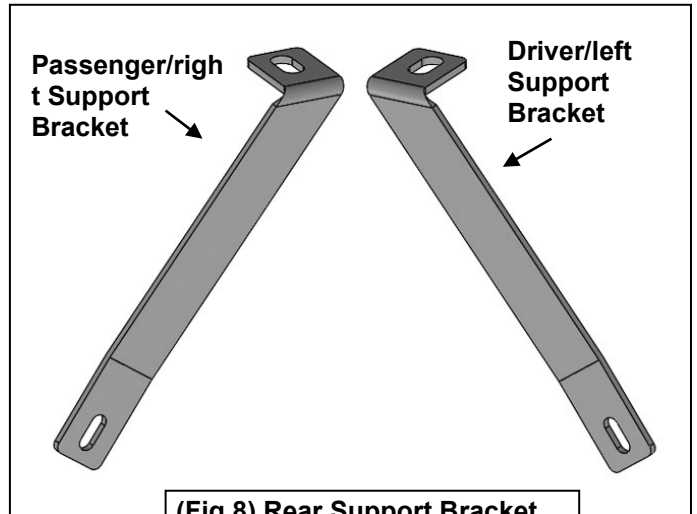
**(Fig 6) Driver/Left Rear
Mounting Bracket**

Driver/Left Side Installation Pictured

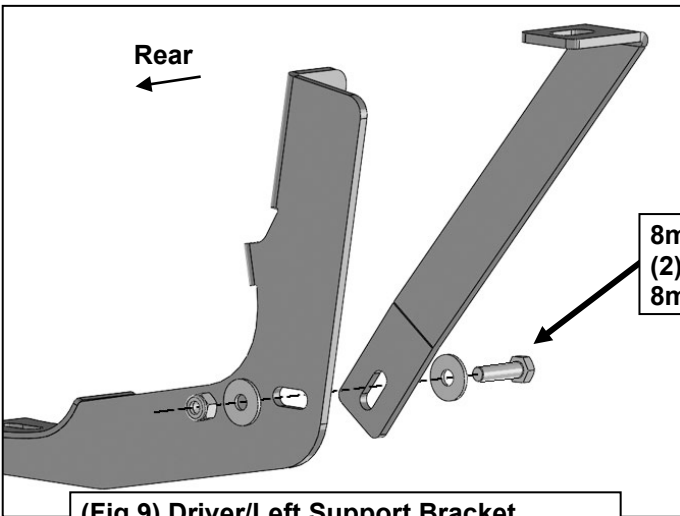


10mm Bolt Plate
10mm Plastic Retainer
10mm Flat Washer
10mm Nylon Lock Nut

(Fig 7) Driver/Left rear Bracket attached to side panel

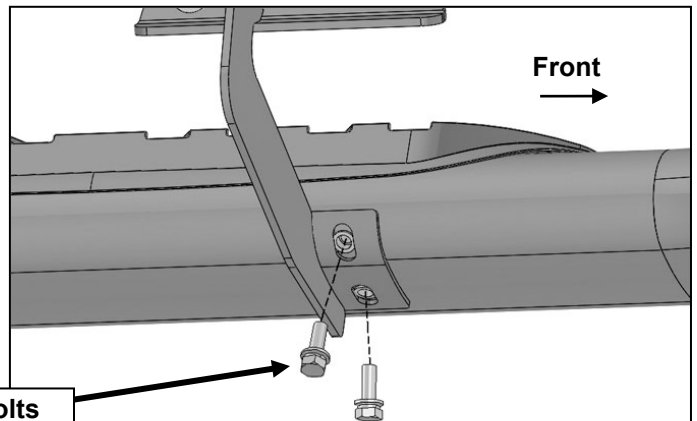


(Fig 8) Rear Support Bracket



8mm x 30mm Hex Bolt
(2) 8mm Flat Washers
8mm Nylon Lock Nut

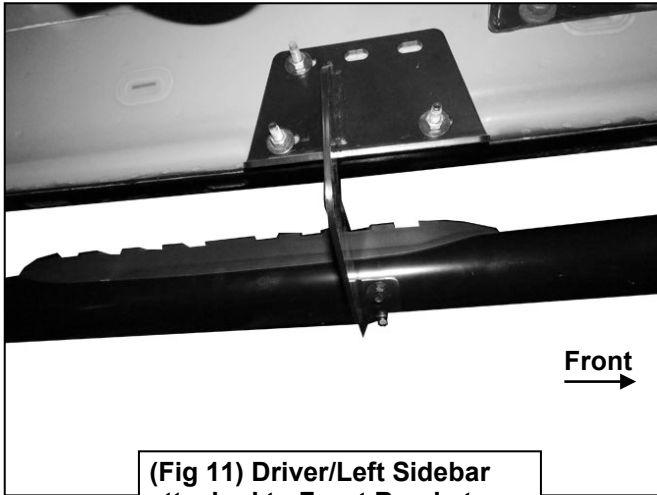
(Fig 9) Driver/Left Support Bracket attached to the front of the Rear Bracket



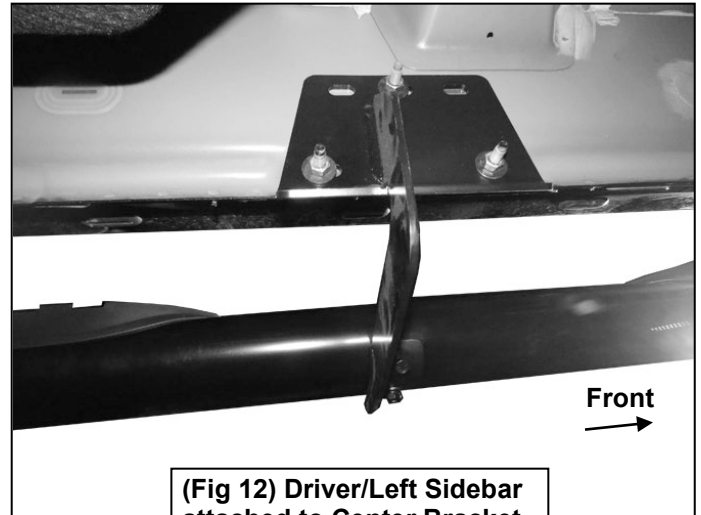
(2) 8mm Combo Bolts

(Fig 10) Driver/Left side Front Bracket attached to Sidebar illustrated

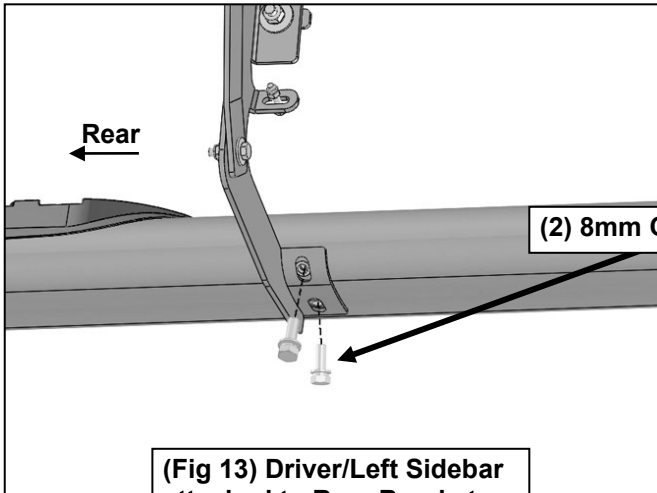
Driver/Left Side Installation Pictured



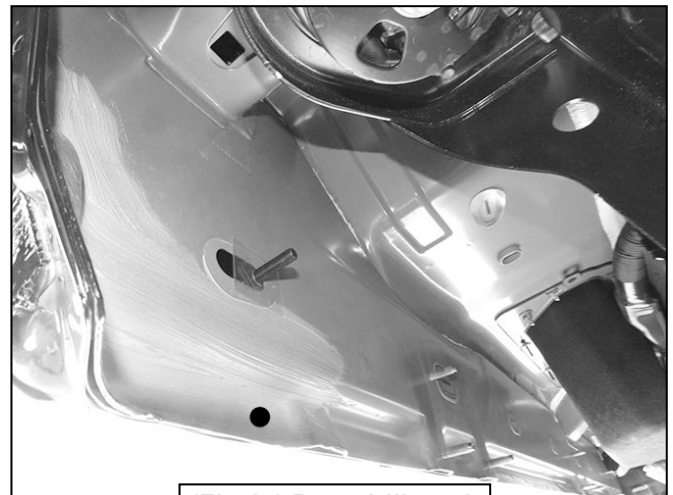
(Fig 11) Driver/Left Sidebar attached to Front Bracket



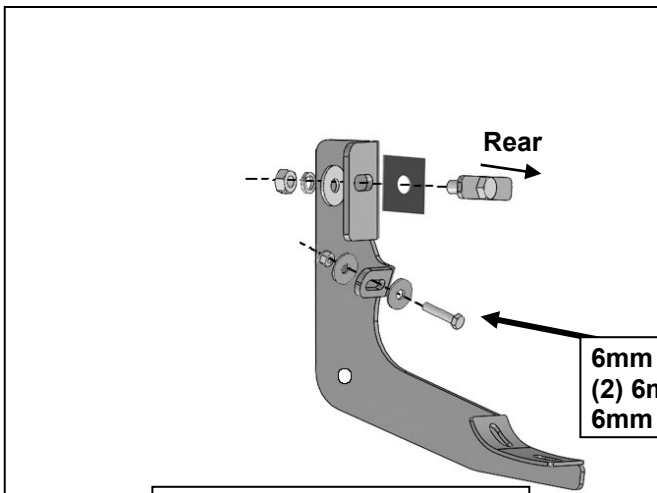
(Fig 12) Driver/Left Sidebar attached to Center Bracket



(Fig 13) Driver/Left Sidebar attached to Rear Bracket



(Fig 14) Rear drill mark



(Fig 15) Reinstall Bracket and attach to pinch weld