



# 6-INCH RUNNING BOARDS

2009-2018 RAM 1500 QUAD CAB

(Include 2019-2023 RAM 1500 Classic Quad Cab)

---

## INSTALLATION INSTRUCTIONS

### CONTENTS

---

- (1) LH Running Board
- (1) RH Running Board
- (3) LH Step Brackets [DF, DC, DR]
- (3) LH Reinforcement Brackets [DF, DC, DR]
- (3) RH Step Brackets [PF, PC, PR]
- (3) RH Reinforcement Brackets [PF, PC, PR]
- (6) M8 Bolt/Nut Plate
- (6) M8 Plastic Retainer
- (18) M8 x 30mm Hex Bolts
- (24) M8 x 24mm OD x 2mm Flat Washers
- (12) M8 Lock Washers
- (6) M8 Hex Nuts
- (6) M8 Nylon Lock Nuts
- (12) M8 x 25mm Combo Bolts
- (12) M6 x 25mm Hex Bolts
- (24) M6 x 22mm OD x 2mm Flat Washers
- (12) M6 Nylon Lock Nuts

### TOOLS REQUIRED

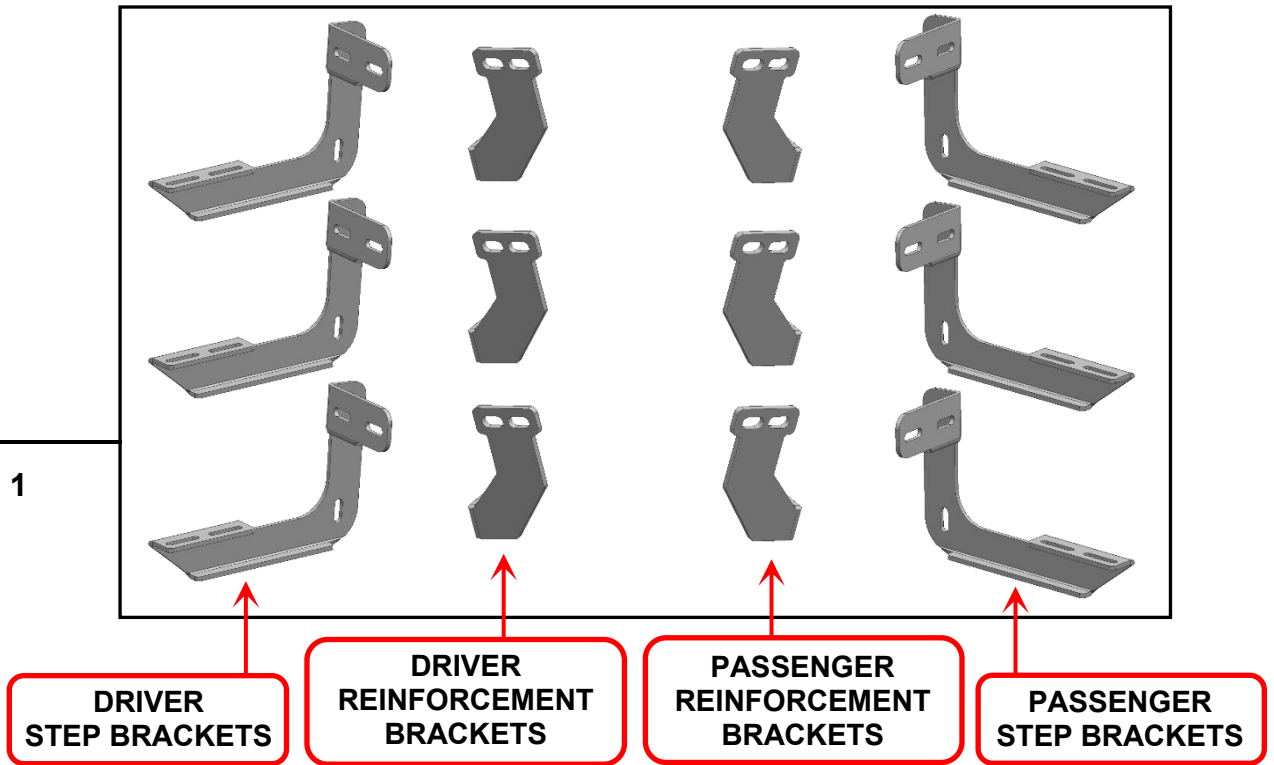
---

- 10mm, 13mm
- Sockets/Wrenches
- Ratchet

SKU # R157207

Edited: 12/08/2023

## STEP 1

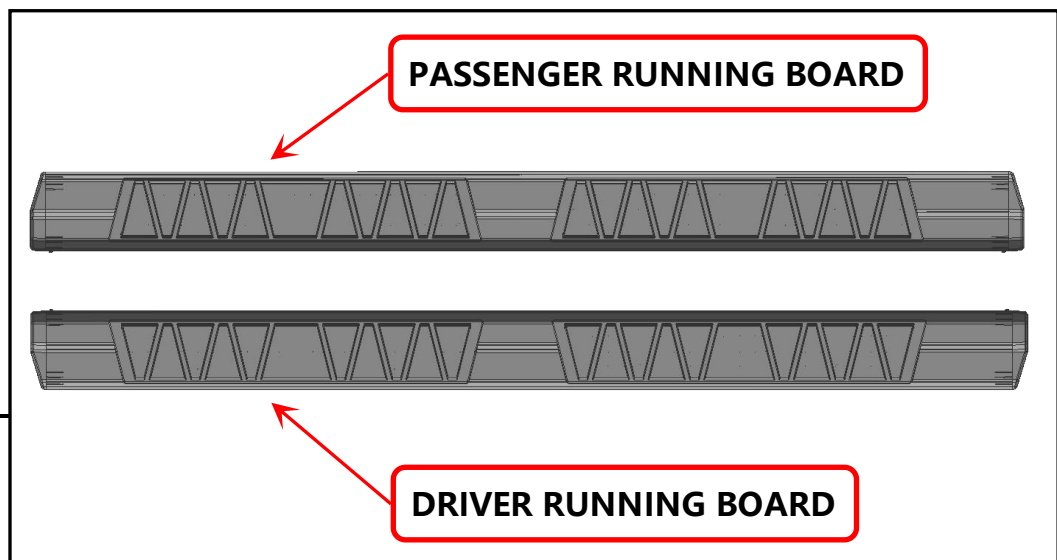


Please identify each mounting bracket using the engraved location identifier. **Notice:** The step brackets & reinforcement brackets per side are the same.

DF: Driver Front  
DC: Driver Center  
DR: Driver Rear

PF: Passenger Front  
PC: Passenger Center  
PR: Passenger Rear

## STEP 2



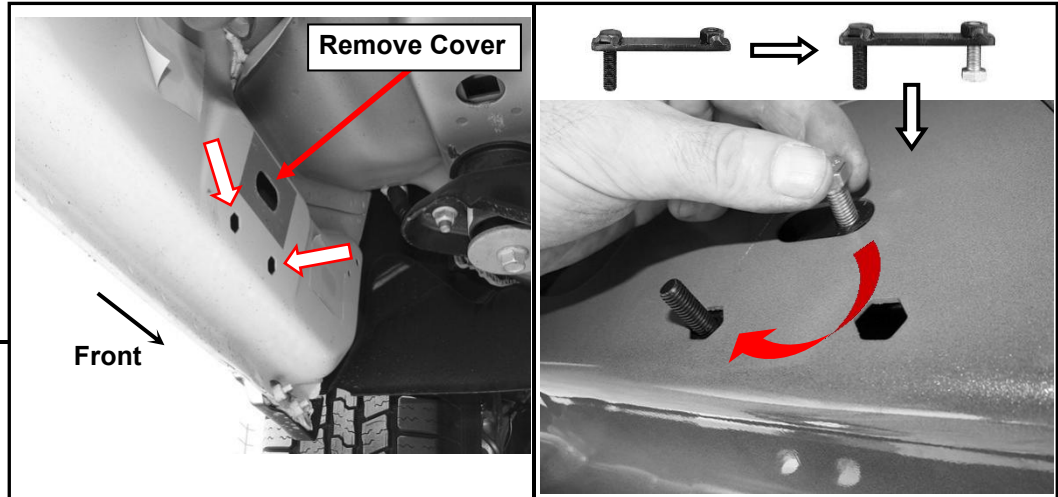
Identify each side step by the front of the step. **Notice:** "D" for Driver/Left Side; "P" for Passenger/Right Side.

Determine if the vehicle have factory threaded inserts or not in the body panel.

Vehicles **without** factory threaded inserts in body panel follow **Step 3.1:**

Vehicles **with** factory threaded inserts in body panel follow **Step 3.2:**

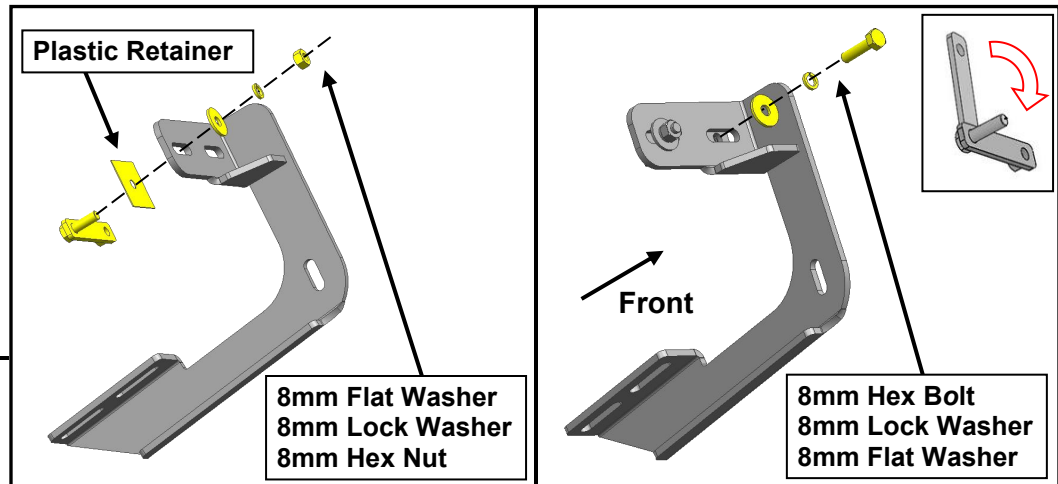
## STEP 3.1.1



Start installation toward the front of the Driver/Left side of the vehicle.

Partially thread an 8mm Hex Bolt onto the threaded end of the Nut Plate. Thread the Hex Bolt in until it is flush with the welded nut. Use the Hex Bolt as a handle and insert the Bolt and Nut Plate into the oval hole. Feed the threaded bolt on the Bolt Plate through one of the hex shaped factory holes.

## STEP 3.1.2



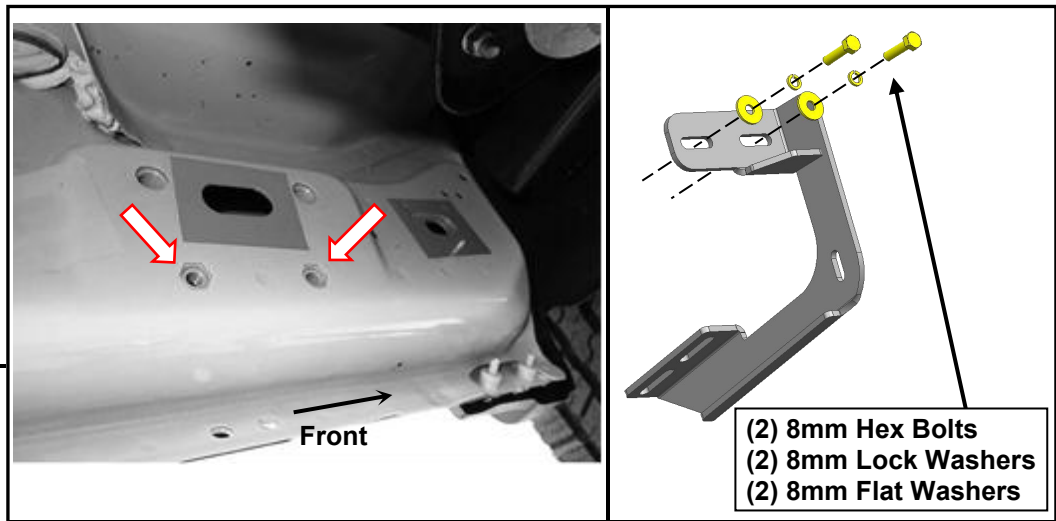
Loosely connect the (1) Driver Front step bracket to the threaded end of the Bolt Plate using (1) Plastic Retainer, (1) M8 hex nut, (1) M8 x 24mm flat washer, and (1) M8 lock washer.

Remove the 8mm Hex Bolt from the nut on the Bolt Plate. Rotate the Bolt on the Bolt Plate until the threaded nut lines up with the remaining hole in the Mounting Bracket and body panel.

Loosely connect the (1) Driver Front step bracket to threaded Nut Plate using (1) M8 x 30mm hex bolt, (1) M8 x 24mm flat washer, and (1) M8 lock washer.

Repeat this step for all Driver step brackets.

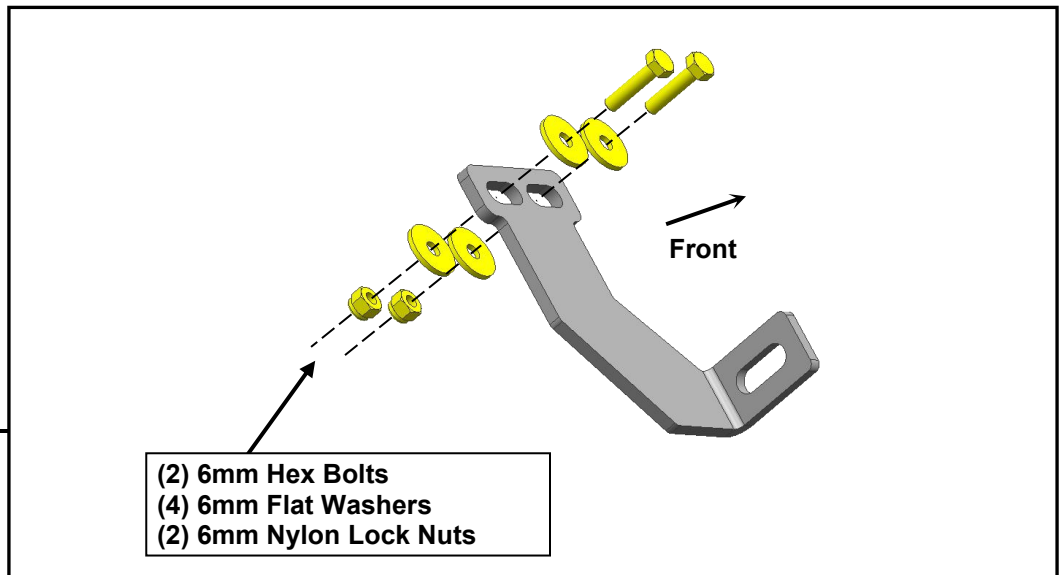
## STEP 3.2



Start installation toward the front of the Driver/Left side of the vehicle.

Loosely fit the (1) Driver Front step bracket to the (2) lower threaded studs using (2) M8 x 30mm hex bolts, (2) M8 lock washers, and (2) M8 x 24mm flat washers. Do not fully tighten to allow for later adjustments. Repeat this step for all Driver step brackets.

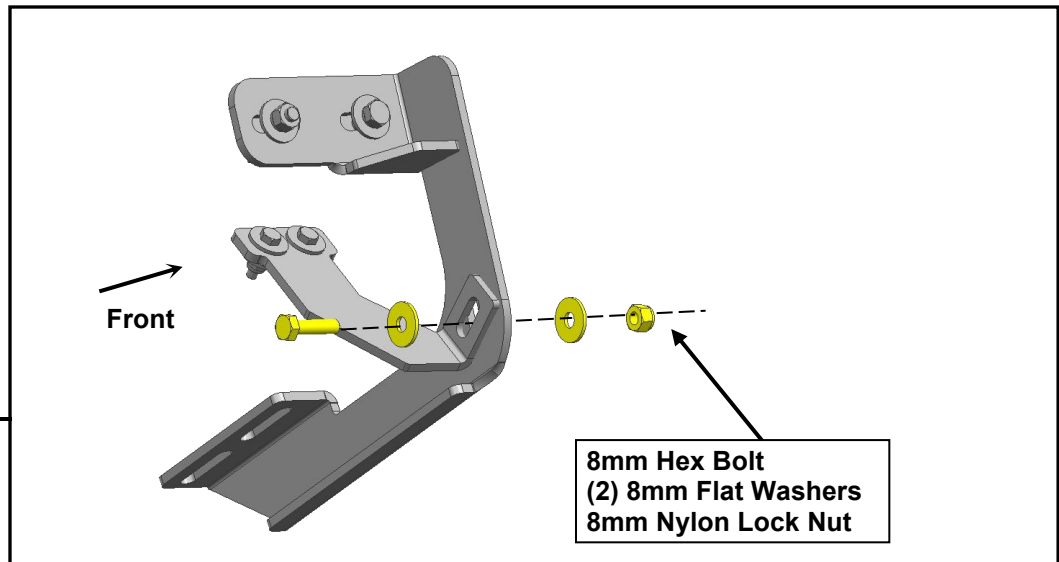
## STEP 4



Loosely connect the (1) Driver Front reinforcement bracket to the back of the pinch weld using (2) M6 x 25mm hex bolts, (2) M6 x 22mm flat washers, and (2) M6 nylon lock nuts.

Repeat this step for all Driver reinforcement brackets.

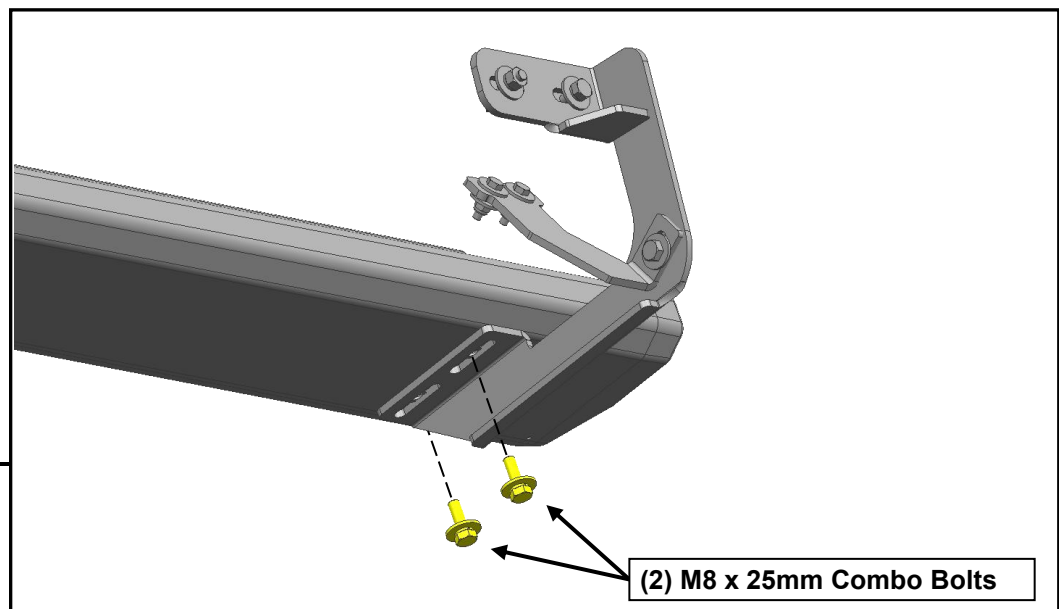
## STEP 5



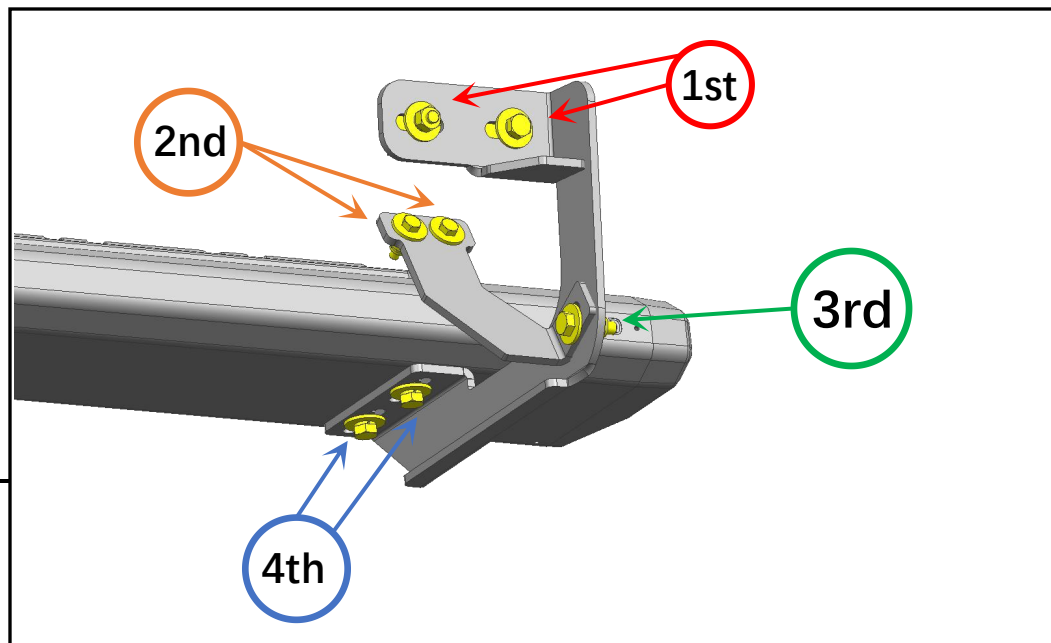
Loosely connect the (1) Driver Front step bracket to the (1) Driver Front reinforcement bracket using (1) M8 × 25mm hex bolt, (2) M8 × 24mm flat washers, and (1) M8 nylon lock nut.

Repeat this step for all Driver step brackets.

## STEP 6



With all brackets loosely mounted to the vehicle, fit the Driver/Left Running Board onto the brackets, and loosely secure into place using (6) M8 x 25mm combo bolts.



## STEP 7

Tighten the mounting brackets to the vehicle. Adjust the Running Board to the desired angle, and tighten the M8 combo bolts to secure the step into place. See photo for tightening order visual.

Repeat steps 1-7 for the remaining Running Board.

Installation is now complete.