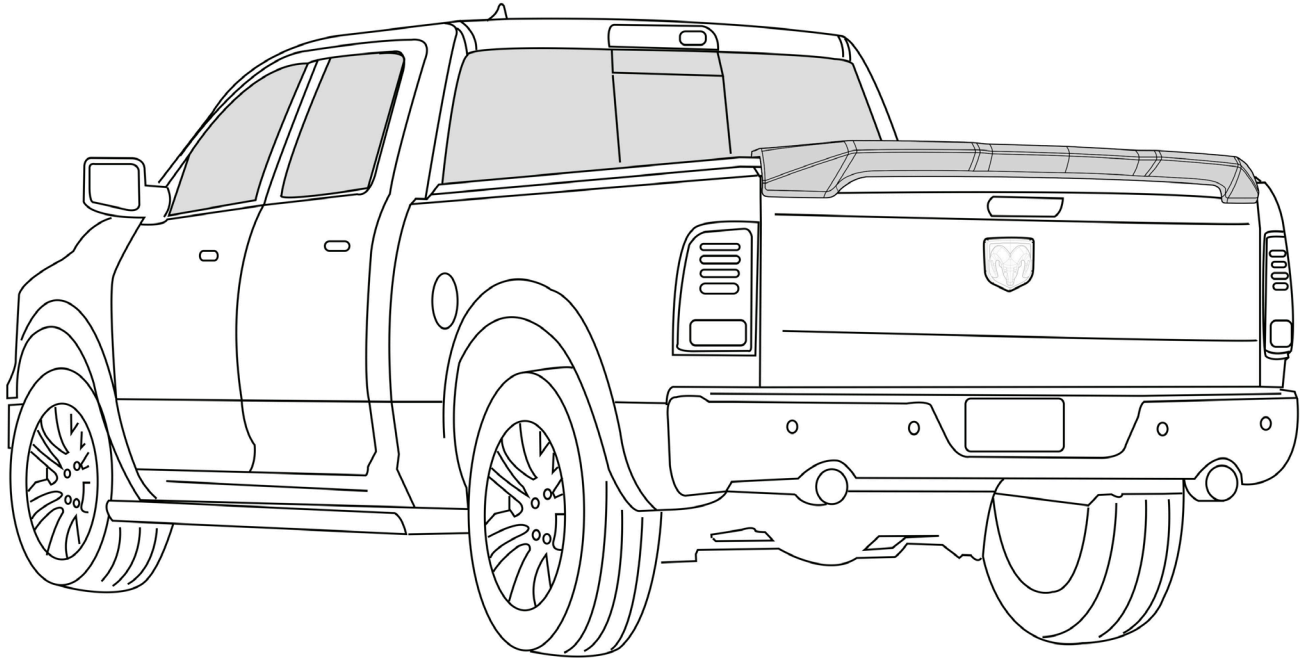


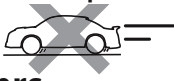



TAILGATE WING SPOILER DODGE RAM1500 DS/DT 2013-2023+

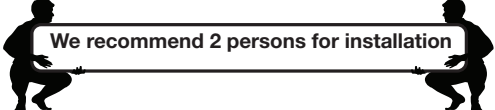


DO NOT WASH CAR  **DRIVE SLOWLY 25 mph max**

24 hrs




 **READ CAREFULLY BEFORE INSTALLATION**

 **We recommend 2 persons for installation**

TOOLS

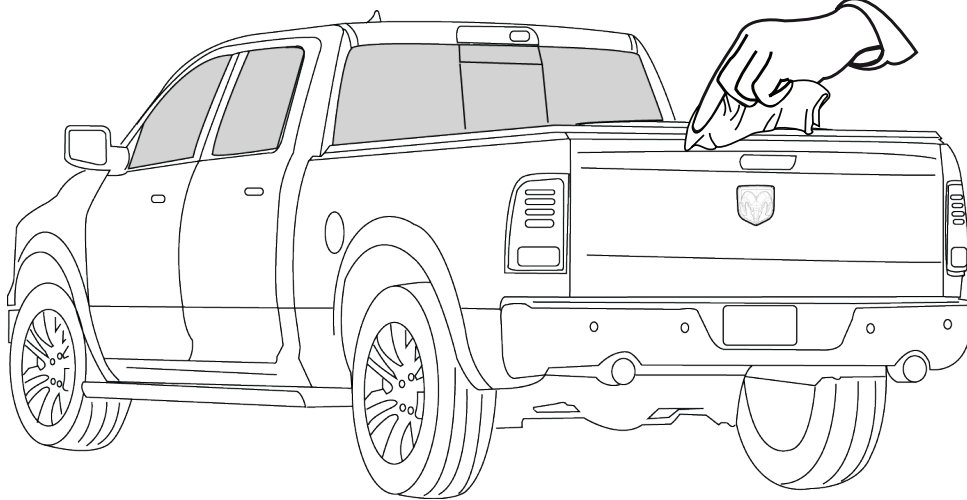
CHECK LIST

**Already installed in the part*

ITEM	DESCRIPTION	DRAWING	AMOUNT
A	* VHB TAPE		Included in the parts
B	GREASE PENCIL		1 pc
C	ADHESION PROMOTER		1 pc

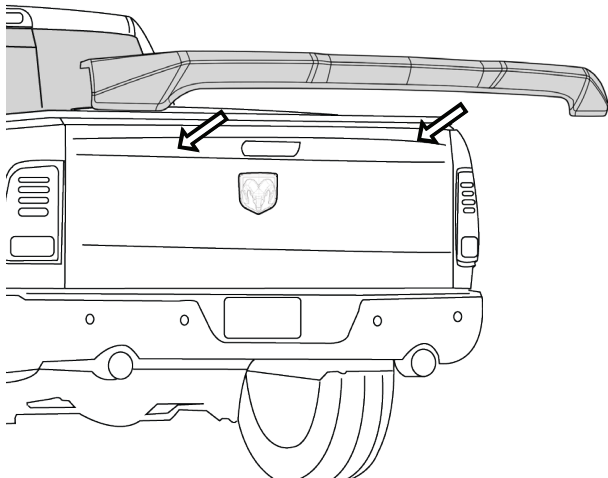
1

**! WASH WITH WATER, DETERGENT AND
SOFT CLOTH OR SPONGE**



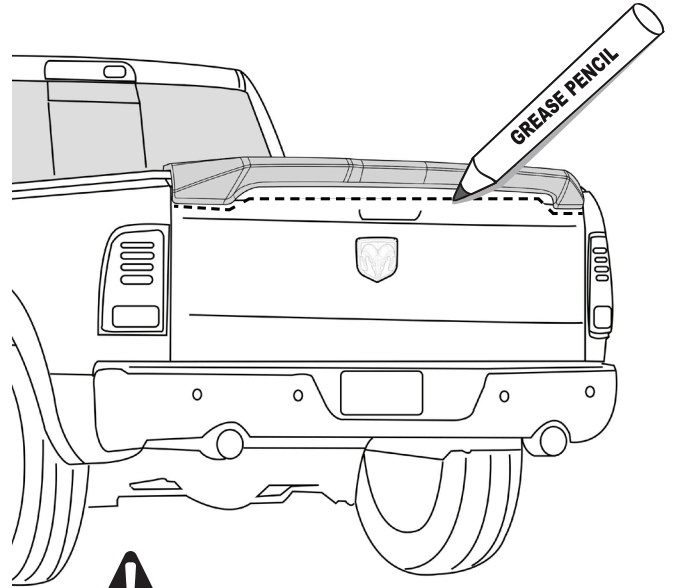
MAKE SURE THE TAILGATE PLASTIC CAP HAS NO GREASE OR RINSE AID

2



**ENSURE SPOILER IS CENTERED AND SITS
PROPERLY ON THE VEHICLE**

3



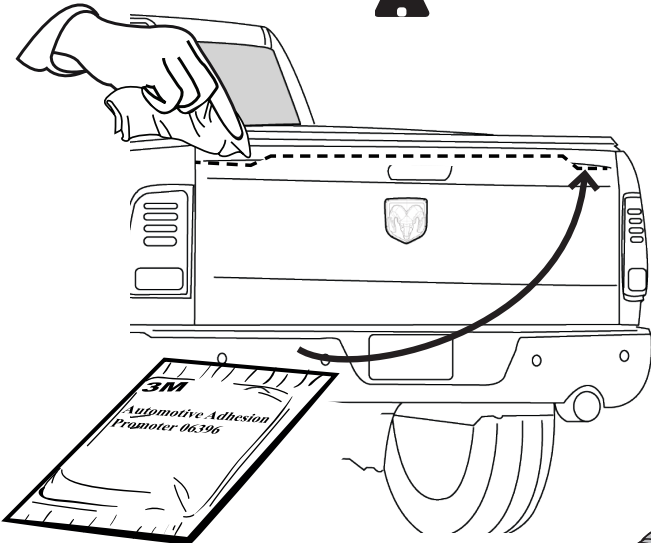
HASH MARKS

**DRAW CENTER HASH MARK WITH GREASE PENCIL ON
SPOILER AND SHEET METAL, THIS WILL ENSURE SPOILER
WILL BE CENTERED TO GREASE PENCIL OUTLINE.**

4



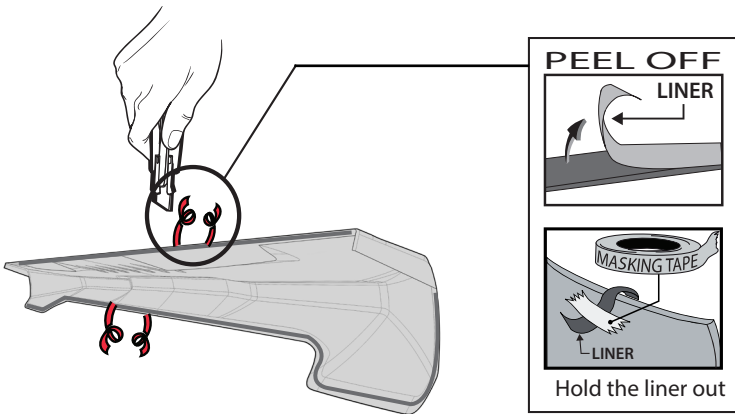
FIRST CLEAN ALL OVER THE APPLICATION AREA



**A full surface contact between tape and
substrate is decisive for good adhesion
performance. Contact is achieved by
applying pressure. In practice a pressure
between 40 and 50 N/cm² is usually
needed and an application temperature
between 25 and 45 °C or 77 and 113 °F
is also necessary. During application, add-
on parts and tapes must have the similar
temperature.**



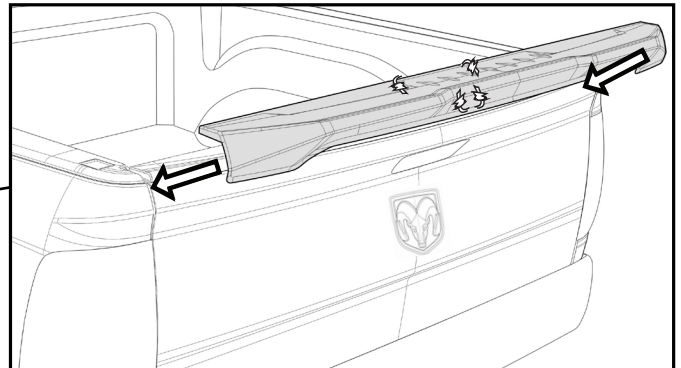
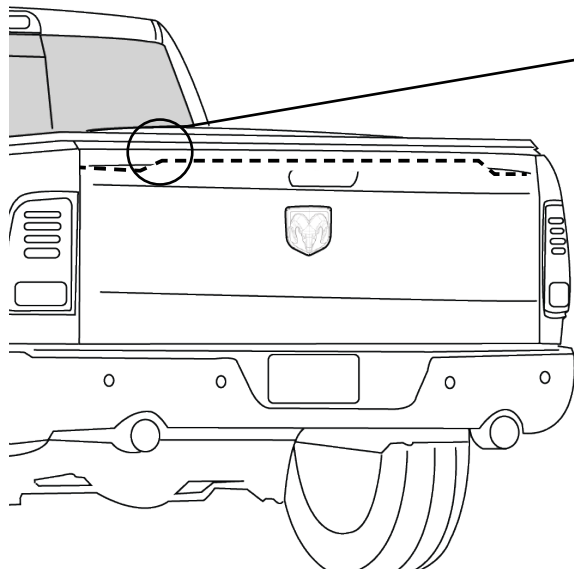
5 PEEL



! A full surface contact between tape and substrate is decisive for good adhesion performance. Contact is achieved by applying pressure. In practice a pressure between 40 and 50 N/cm² is usually needed and an application temperature between 25 and 45 °C or 77 and 113 °F is also necessary. During application, add-on parts and tapes must have the similar temperature.

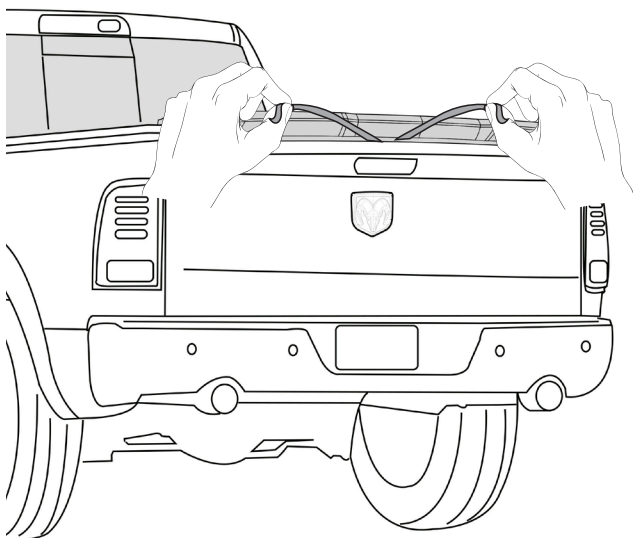
! WARM SURFACE WITH HEAT GUN IF SURFACE TEMPERATURE IS TOO COLD

6 PLACE

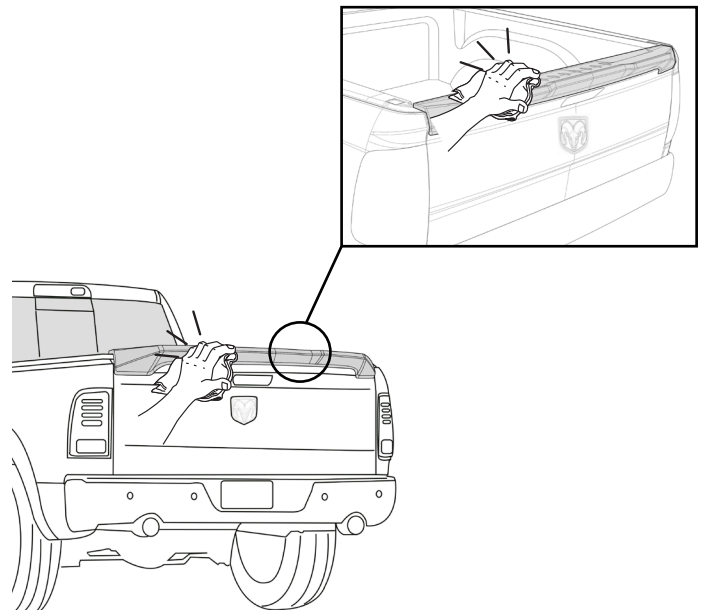


! GUIDED BY GREASE PENCIL MARKS

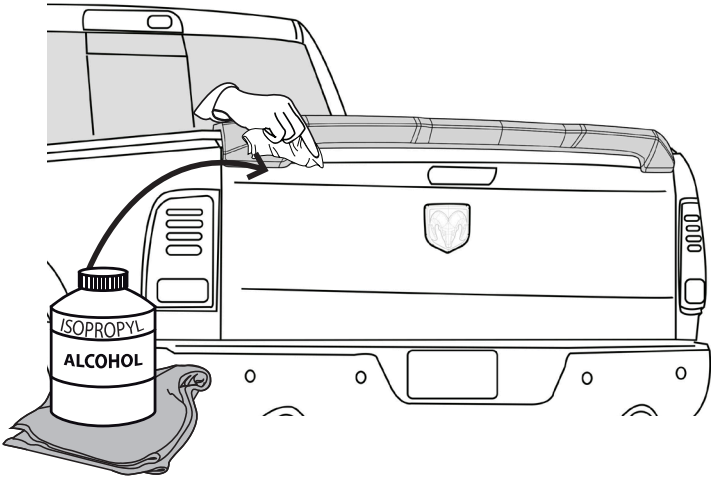
7



8 PRESS APPLY PRESSURE



9 CLEAN OFF GREASE PENCIL MARK



INSTALLED PART

