

Installation Manual



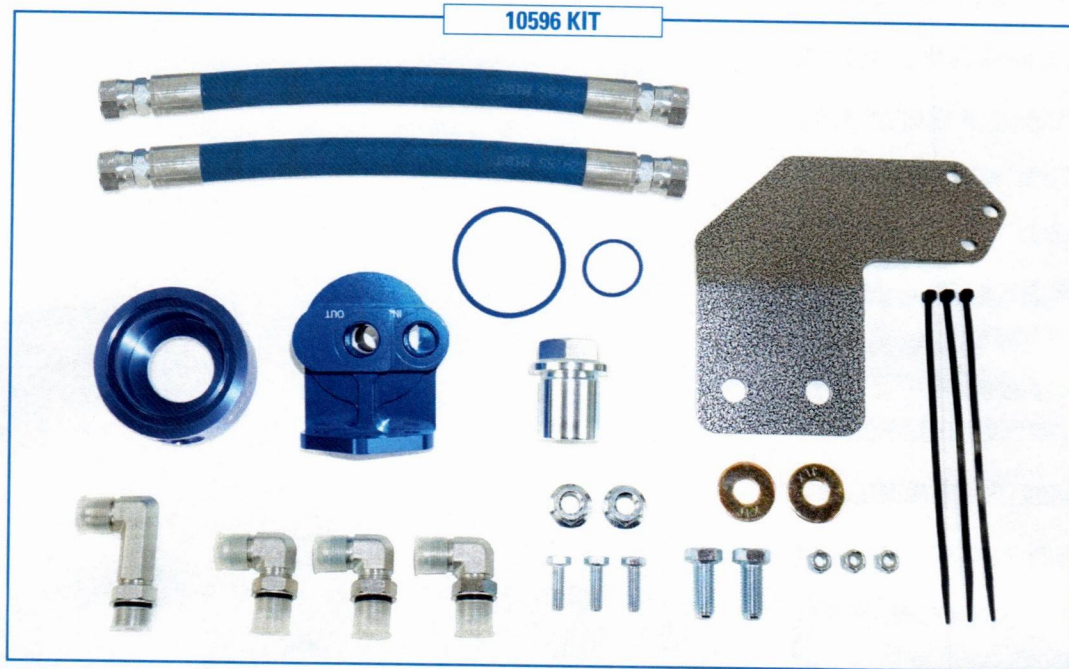
10596 KIT

Dodge RAM 1500 5.7L HEMI
with M22 X 1.5 mm Oil Filter Thread*

*Oil filtration relocation kits provide easy access & serviceability
to the engine's oil filter.*

* See application guide for proper fitment.

Thank you and congratulations on the purchase of an Oil Filter Relocation Kit. Please read the entire manual prior to starting the installation to ensure you can complete it once started.



KIT CONTENTS

Please make sure all the items listed below are provided in your kit before starting the installation.

❗ A replacement oil filter is **NOT** included in this kit. Kits are designed to work with factory part number filters.

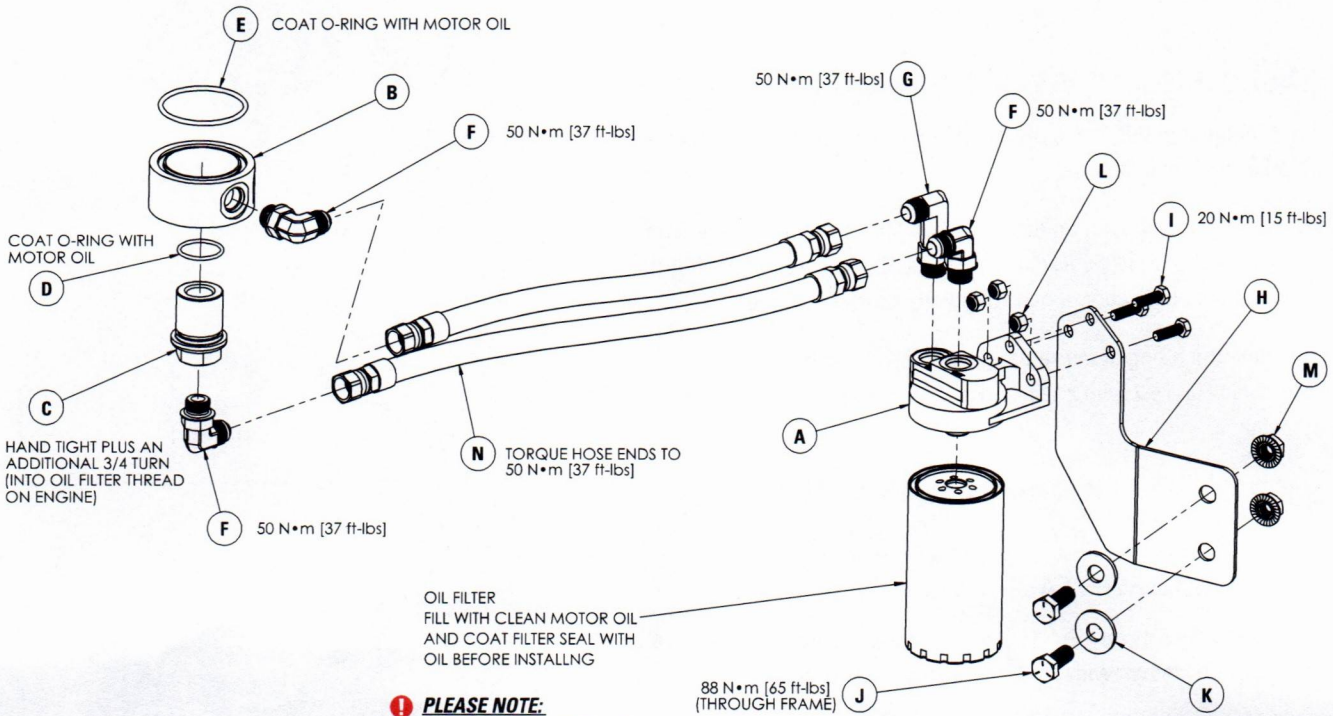
KIT CONTENTS		QTY	PART #
A	Remote Filter Head	1	HP1599
B	Filter Head, Adapter	1	HP1974
C	Filter Nut, M22 x 1.5 UN Thread	1	HP1970
D	O-Ring, -124	1	HP1972
E	O-Ring, -230	1	HP1973
F	Fitting, 90° Straight Thread Elbow	3	HP1024
G	Fitting, 90° Straight Thread Extra Long Elbow	1	HP1330
H	Oil Filter Relocation Bracket	1	HP1603
I	Bolt, 5/16" - 18 x 1" Hex Head	3	HP1028
J	Bolt, 1/2" - 13 x 1.25" Hex Head	2	HP1371
K	Washer, 1/2" X 1.375" OD Flat	2	HP1368
L	Nut, 5/16" Nylon Lock	3	C11943
M	Nut, 1/2" Serrated Flange	2	HP1370
N	Assembly, Hydraulic Hose	2	HP1604
O	Zip Ties	3	C11618

REQUIRED TOOLS

- Hoist or Floor Jack
- Safety Stands
- Safety Glasses
- Torque Wrench
- Ratchet
- Standard Combination Wrenches
- Metric & Standard Sockets

KIT EXPLOSION DIAGRAM

Please make sure all the items highlighted below and in the kit contents on the previous page, are provided in your kit before starting the installation.



PLEASE NOTE:
A replacement oil filter is **NOT** included in this kit. Kits are designed to work with factory part number filters.

1 REMOVE THE EXISTING OIL FILTER

Remove the existing oil filter and recycle.

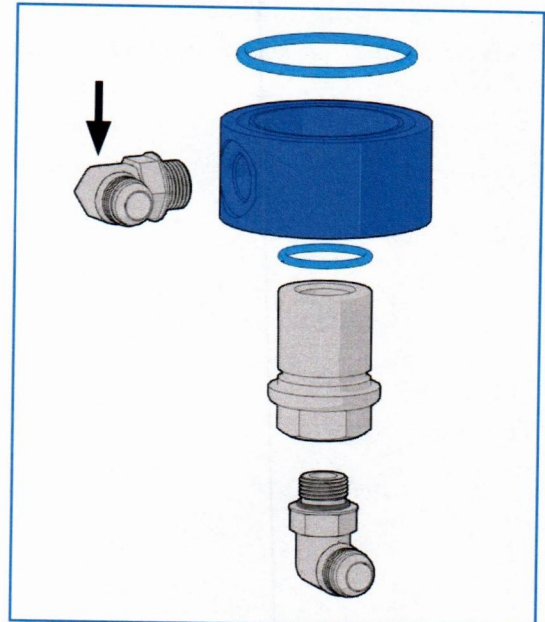
2 INSTALLING FITTINGS: REPLACEMENT FILTER HEAD

Use clean engine oil to apply a light coating to the O-rings on two of the 90° hydraulic fittings.

Ensure the locking nut on each fitting is fully threaded up the fitting body. Install the 90° hydraulic fittings into the replacement filter head and nut until they cannot be rotated any further by hand.

Position the fitting in the replacement filter head horizontally (as shown in Figure 2 with a black arrow) by loosening up to one full turn maximum.

Tighten the lock nut on both fittings to 50 N•m (37 ft-lbs).



2

3 INSTALL RUBBER SEALS

Install the O-rings into the grooves on the replacement filter head and filter nut (as shown with the black arrows in Figure 3).

Put a light coat of clean engine oil on both seals and loosely install the assembly into the engine by turning the filter head retaining nut.



3

4 ADJUST FOR CLEARANCE

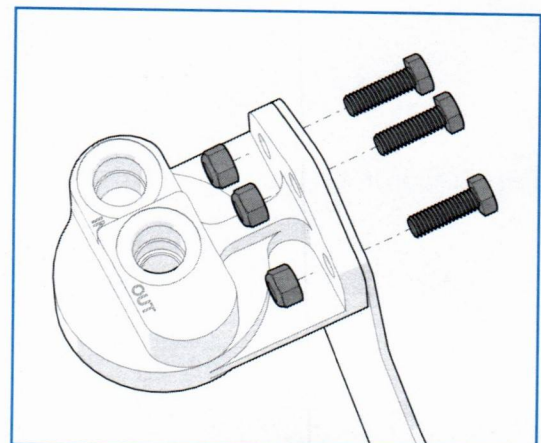
Rotate the filter head assembly to attain maximum clearance for hose routing.

Tighten the filter head retaining nut as you would for a new filter installation.

5 ASSEMBLE BRACKET

Secure the remote filter head to the mounting bracket using the 5/16" fasteners provided (shown in Figure 5).

Torque the screws to 20 N•m (15 ft-lbs).



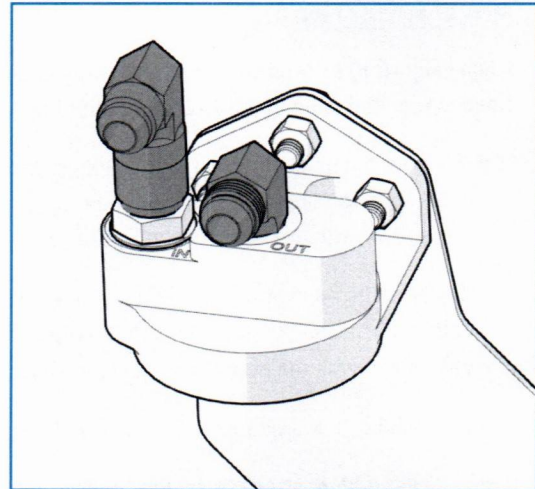
5

6 INSTALLING FITTINGS: REMOTE FILTER HEAD

Use clean engine oil to apply a light coating to the O-rings on the remaining 90° hydraulic fitting and the extended 90° hydraulic fitting.

Ensure the locking nut on each fitting is fully threaded up the fitting body. Install the hydraulic fittings into the remote filter head (as shown in Figure 6).

Do not tighten the fittings yet to allow for adjustment.



6

7 INSTALL MOUNTING BRACKET

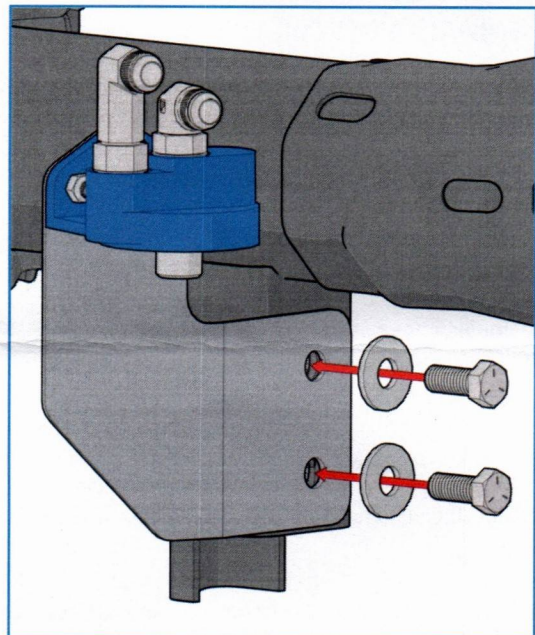
Install the filter mounting bracket (as shown in Figure 7).

The bracket mounting location is located beneath the frame rail on the passenger's side, forward of the tire.

The bracket should be placed so the remote filter head is inside of the frame rail.

Secure using provided 3/8" bolts, washers and flange nuts (as shown in Figure 7).

Torque bolts to 88 N•m (65 ft-lbs).



7

8 ATTAIN HOSE CLEARANCE

Position the hydraulic fittings on the remote filter head for maximum hose clearance by loosening up to a maximum of one turn.

Ensure that the fittings on the hoses have enough clearance to attach onto the fittings on the remote filter head

Tighten the lock nut on both fittings to 50 N•m (37 ft-lbs).

9 HOSE ASSEMBLY

Locate the two hydraulic hoses provided in the kit and install one end of each hose onto the 90° fittings on the remote filter head.

Tighten both hose end fittings to 50 N•m (37 ft-lbs).

10 HOSE INSTALLATION

(Using Figure 10 as reference) Route the hoses from the remote filter head to the fittings on the replacement filter head.

- ❗ Connect the hose attached to the center fitting of the remote filter head to the center fitting on the replacement filter head. (as shown with the **grey** hose in Figure 10).
- ❗ Connect the hose attached to the outside fitting on the remote filter head to the outside fitting on the replacement filter head. (as shown with the **black** hose in Figure 10).

Tighten both hose end fittings to 50 N•m (37 ft-lbs).

Use the supplied tie straps to secure the hydraulic lines away from heat sources and moving parts.

11 INSTALL A NEW OIL FILTER

The remote filter head is designed for use with the factory part number oil filter.

Install a new oil filter into the remote filter head.

It is recommended to fill the new oil filter with clean engine oil prior to installation.

Double check all the fittings to ensure they are tightened adequately before moving on to the following step.

12 CHECK ENGINE OIL PRESSURE

Start the vehicle and allow to idle while watching the oil pressure gauge.

Ensure the engine oil pressure is in the NORMAL range.

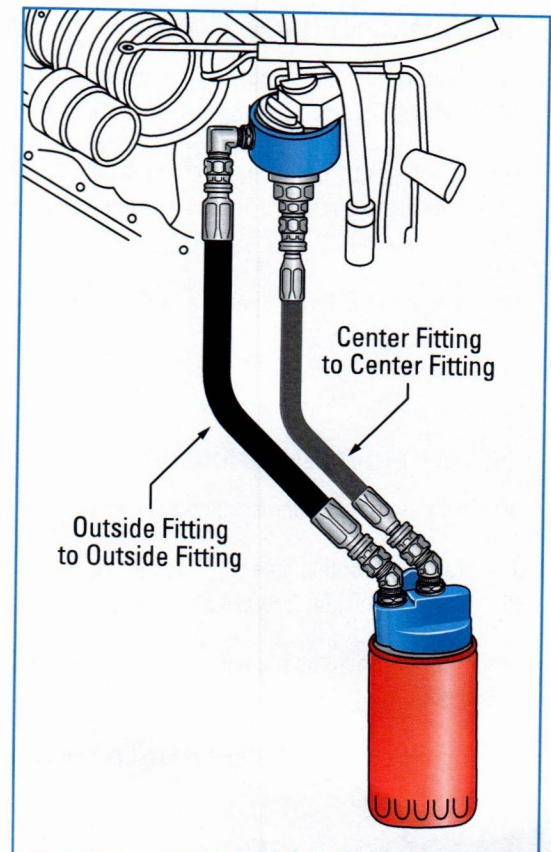
13 CHECK FOR LEAKS

Once the engine oil pressure is in the normal range, check the entire system for oil leaks.

Congratulations!

You have completed the installation

.....



10