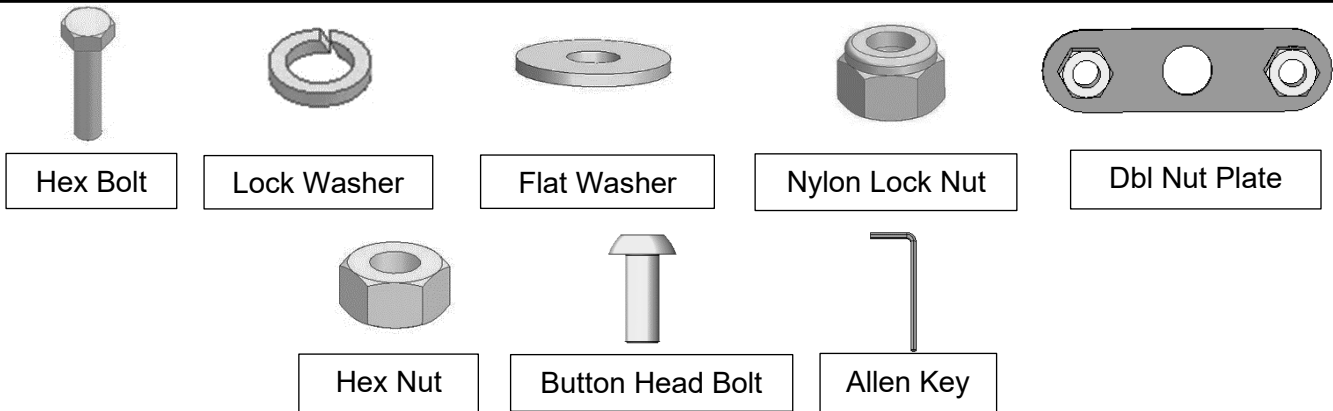
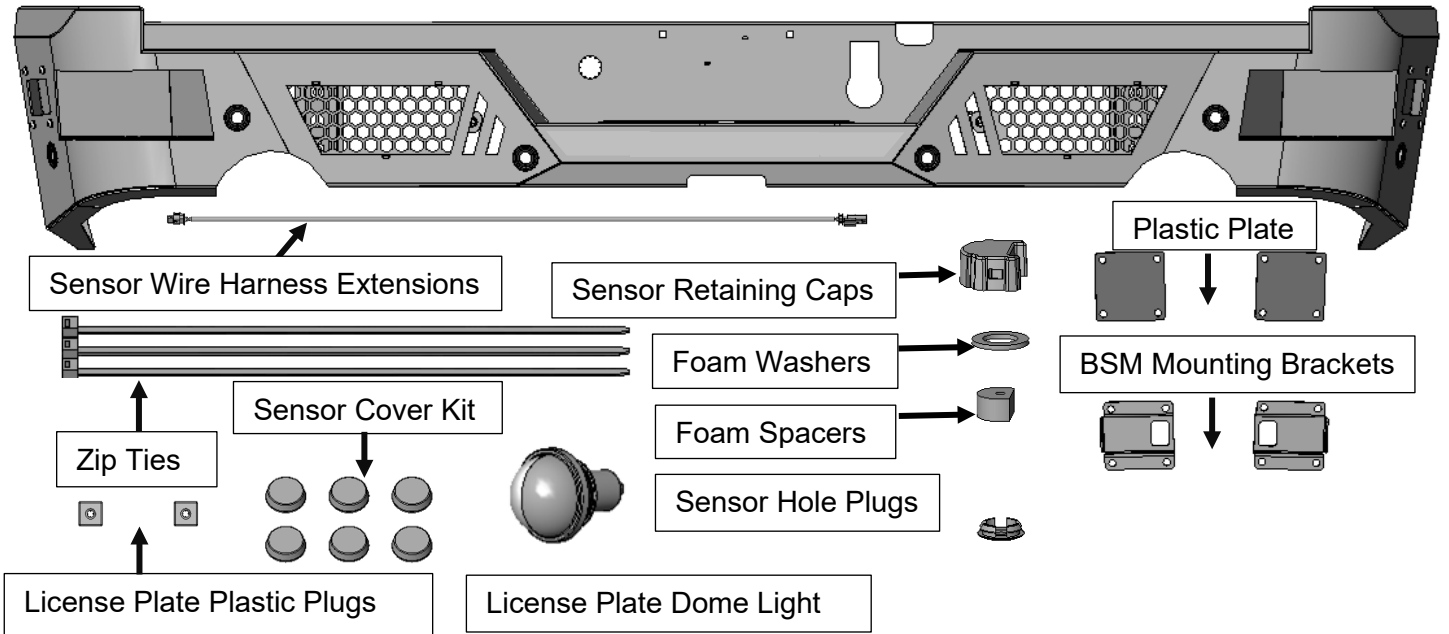




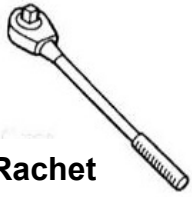
INSTALLATION INSTRUCTIONS

PARTS LIST: R198194; R198195

Description	Qty.	Description	Qty.
LD1 Rear Bumper Assembly	1	12mm Lock Washers	4
Blind Spot Detection (BSM) Mounting Brackets	2	12-1.75mm x 35mm Hex Bolts	4
Parking Sensor Extension	1	6mm x 20mm Button Head Bolts	8
Plastic Plate	2	6mm x 12mm x 1.6mm Flat Washers	16
15.5mm x 25mm x 2mm Foam Washers	6	6mm Lock Washers	8
Sensor Retaining Caps	6	6mm Hex Nuts	8
Plastic Sensor Plug	6	4mm Hex Nuts	2
Foam Spacers	6	4mm Lock Washers	2
Sensor cover kit	6	4mm x 12mm x 1mm Flat Washers	4
Plastic Plugs for License Plate Mount	2	4mm x 10mm Button Head Bolts	2
2.75mm x 1mm x200mm Nylon Wire Ties	10	Self-Tapping Screw (For backup use)	12
License Plate Dome Light	1	S=2.5 Allen Wrench	1
12mm Double Nut Plate	2	S=4 Allen Wrench	1
12mm x 37mm x 3mm Flat Washers	4		



TOOLS REQUIRED



Ratchet



13mm Socket



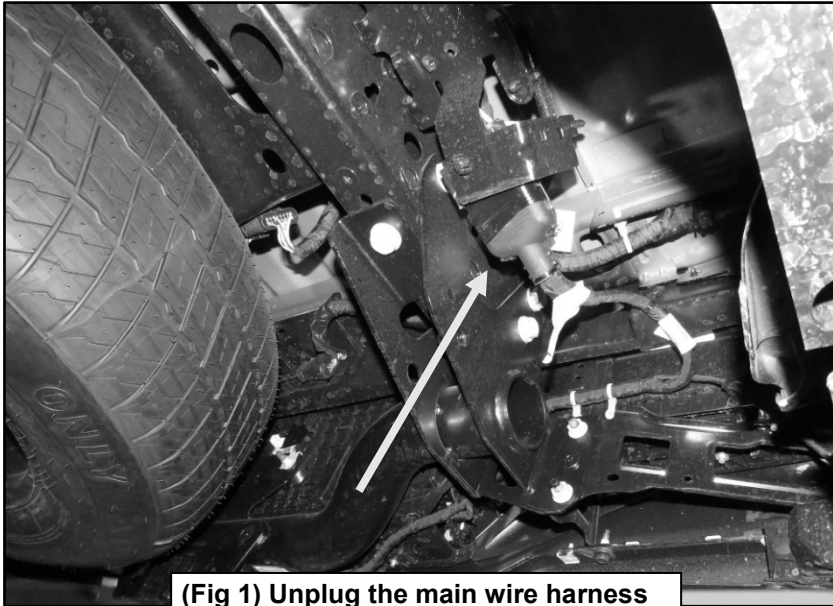
Extensions



Wrench

1

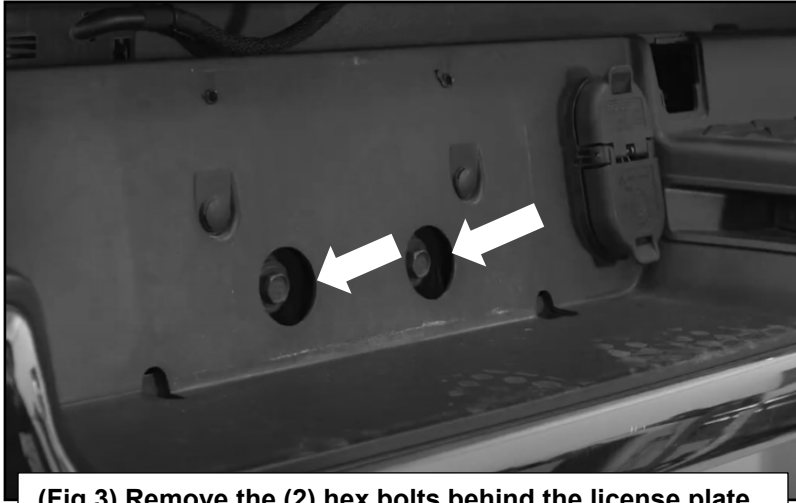
Follow (Fig 1 – 5) to remove the OEM bumper from the vehicle.



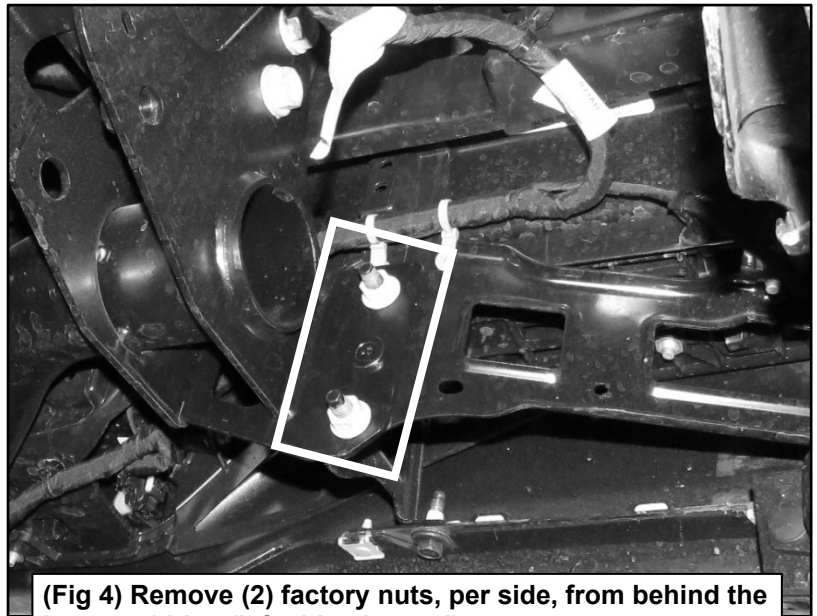
(Fig 1) Unplug the main wire harness



(Fig 2) Remove the license plate in order to access the two bolts holding the bumper



(Fig 3) Remove the (2) hex bolts behind the license plate



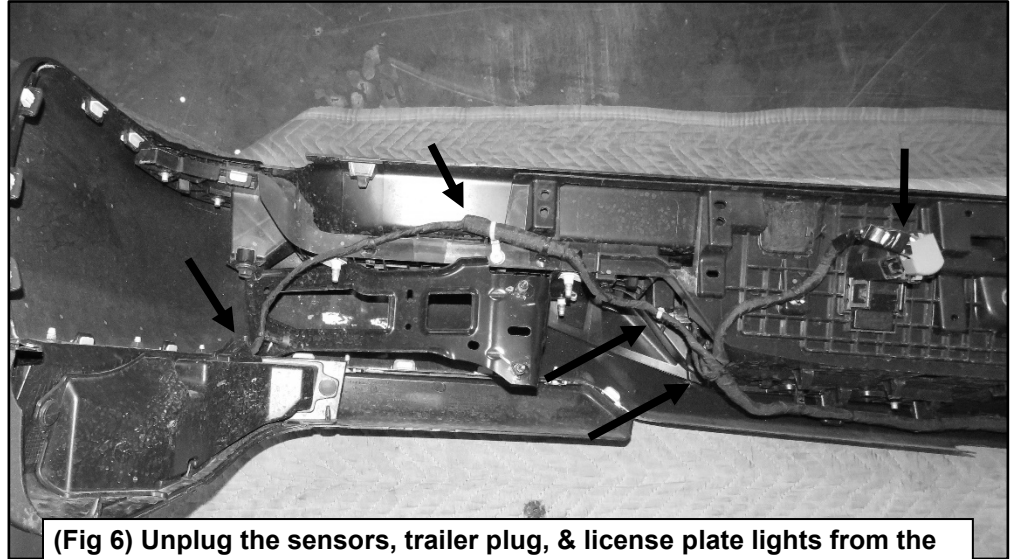
(Fig 4) Remove (2) factory nuts, per side, from behind the bumper (driver/left side pictured)



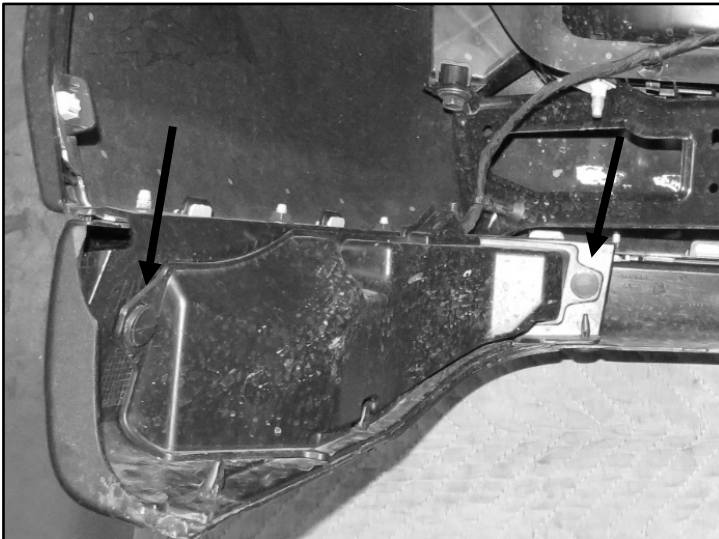
(Fig 5) Bumper completely removed

2

Follow (Fig 6 – 17) to remove all the sensors and components from the OEM rear bumper and swap them onto the new bumper.

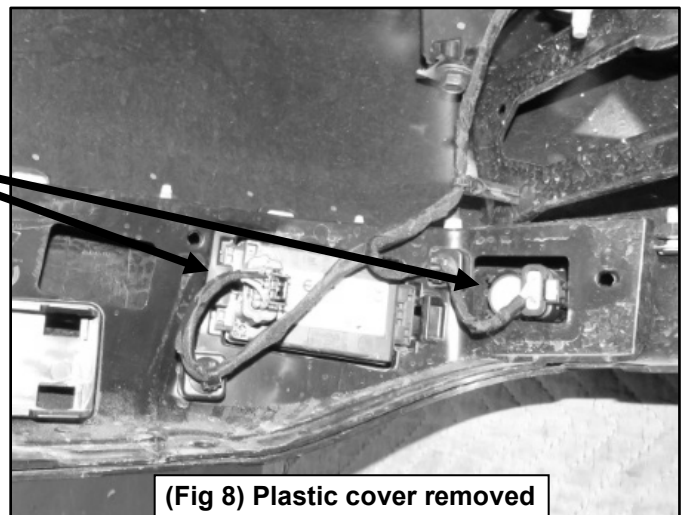


(Fig 6) Unplug the sensors, trailer plug, & license plate lights from the wire harness. Release the wire harness from the back of the bumper.



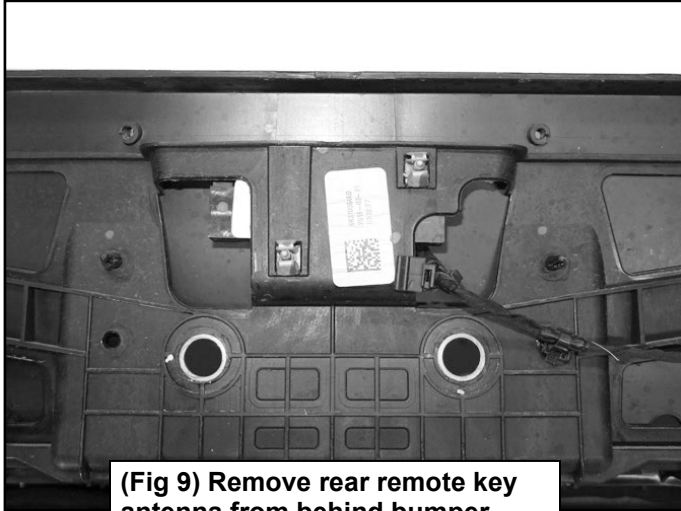
(Fig 7) Remove plastic clips holding plastic cover on

BSM and outer parking sensor are now accessible



(Fig 8) Plastic cover removed

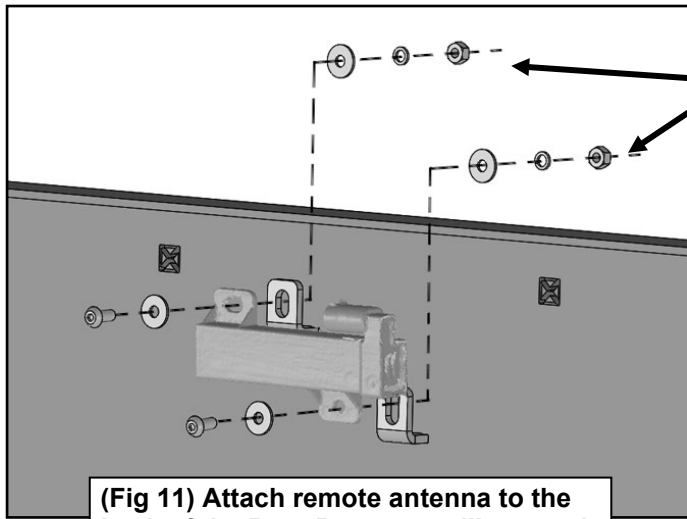
Note: If vehicles are equipped with rear antenna remove and transfer to new bumper.



(Fig 9) Remove rear remote key antenna from behind bumper



(Fig 10) Rear Remote Key Antenna

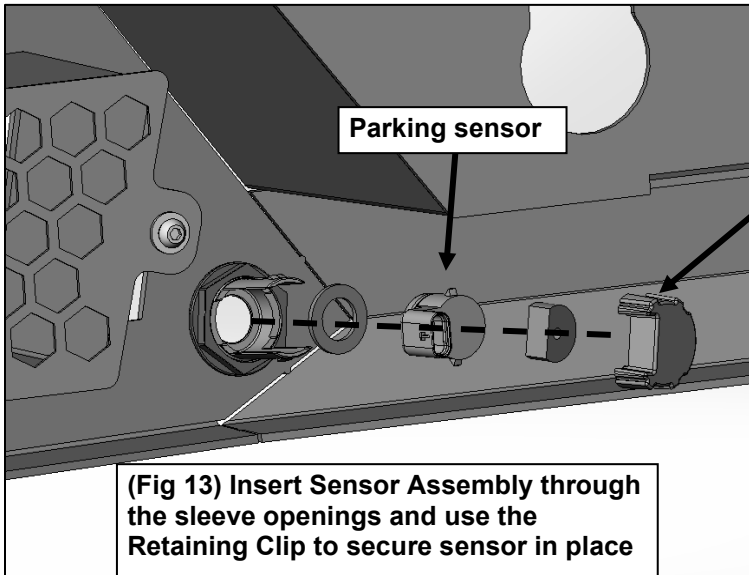


- (2) 4mm Button Head Bolts**
- (4) 4mm Flat Washers**
- (2) 4mm Lock Washers**
- (2) 4mm Hex Nuts**

(Fig 11) Attach remote antenna to the back of the Rear Bumper as illustrated



(Fig 12) Remove OE sensor washer and place the provided Foam Washer onto the front of the sensor



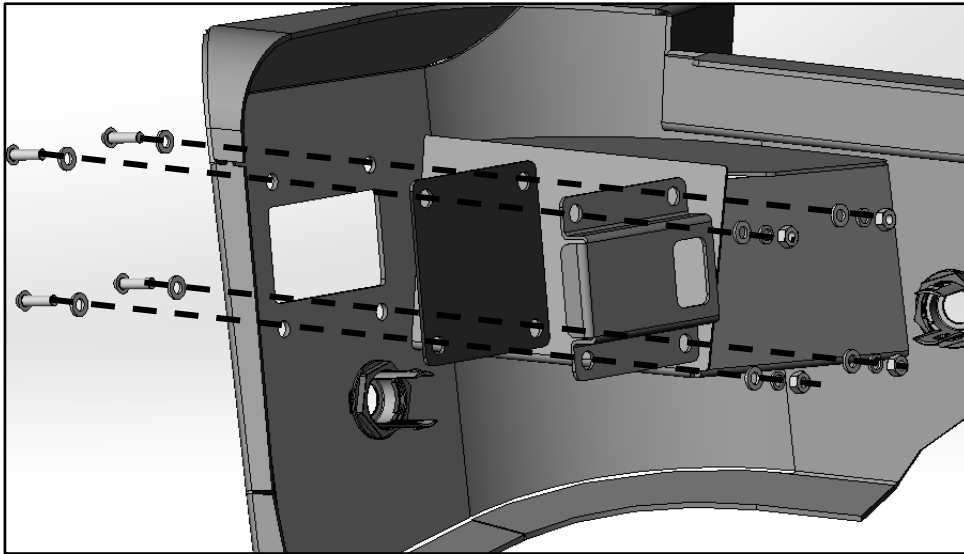
- (1) Foam Washer
- (1) Foam Spacer
- (1) Sensor Retaining Clip

Note: The sensor plastic covers are used for vehicles with no parking sensors

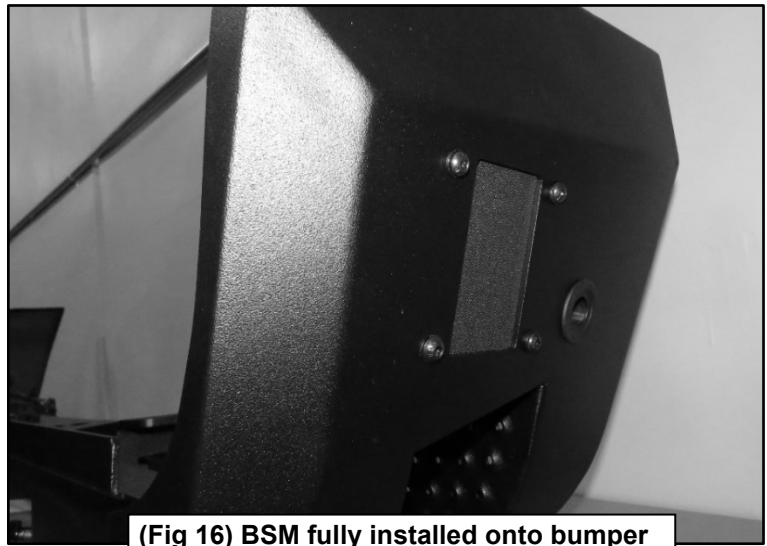
(Fig 13) Insert Sensor Assembly through the sleeve openings and use the Retaining Clip to secure sensor in place



(Fig 14) Install the BSM onto the new bumper using the BSM mounting brackets and plastic plates



(Fig 15) Install using:
(4) 6mm button head bolts
(8) 6mm flat washers
(4) 6mm lock washers
(4) 6mm hex nuts



(Fig 16) BSM fully installed onto bumper



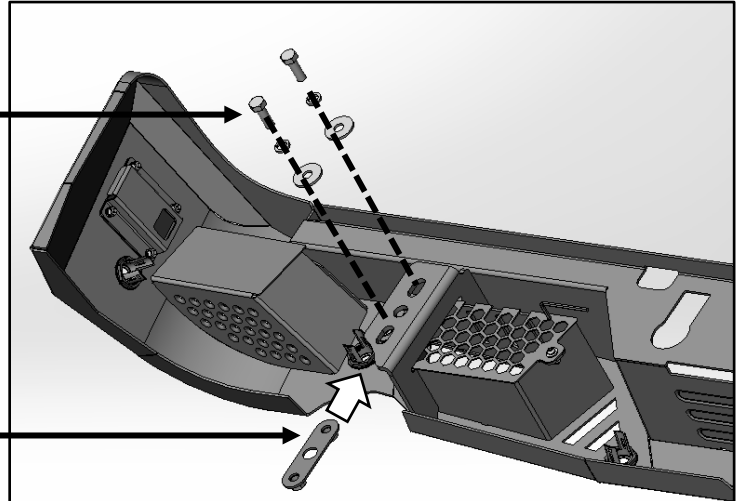
(Fig 17) Reconnect BSM to harness

3

Follow (Fig 18-20) to mount the bumper to the vehicle. Once installation is complete, do periodic inspections to the installation to make sure that all hardware is secure and tight.

- (2) 12mm Hex Bolts
- (2) 12mm Lock Washers
- (2) 12mm Flat Washers

12mm double nut plate



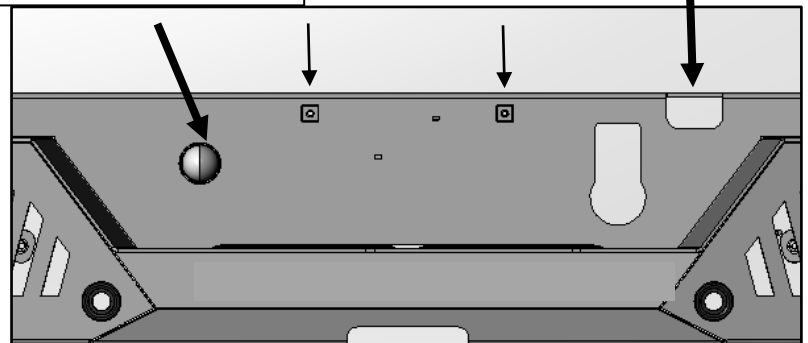
(Fig 18) With assistance, slide Nut Plate through the back of the Bumper



(Fig 19) Passenger side of the Rear Bumper attached to the factory hitch

License plate reverse light

Spare tire access hole



(Fig 20) Use the (2) plugs to attach the license plate to the front of the bumper and then install the license plate reverse light . Attach trailer plug to the front as well



Install Complete