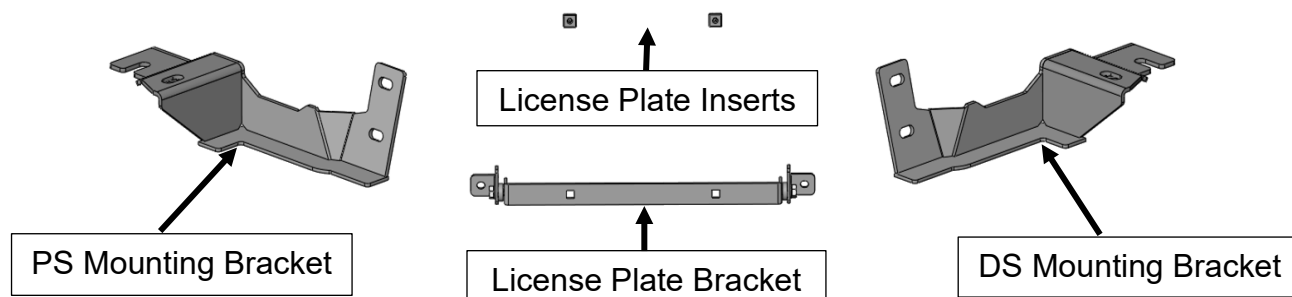
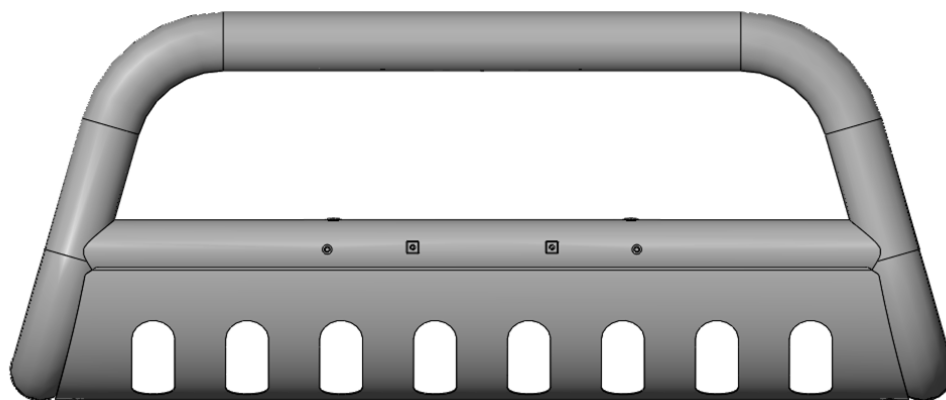




INSTALLATION INSTRUCTIONS

PARTS LIST:

| Description | Qty. |
|---|------|
| Bull Bar | 1 |
| Driver/Left Mounting Bracket | 1 |
| Passenger/Right Mounting Bracket | 1 |
| 14-2.00mm x 35mm Hex Bolts | 2 |
| 14mm x28mm x 2.5mm Flat Washers | 2 |
| 14mm Lock Washers | 2 |
| 10-1.50mm x 30mm Hex Bolts | 4 |
| 10mm x 27mm x 3mm Flat Washers | 8 |
| 10mm Nylon Lock Nuts | 4 |
| License Plate Bracket | 1 |
| Plastic Plugs for License Plate Mount | 2 |
| 6-1.00mm x 20mm Button Head Combo Bolts | 2 |
| S=4 Allen Wrench | 1 |



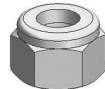
Hex Bolt



Flat Washer



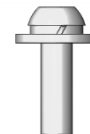
Lock Washer



Nylon Lock Nut



Allen Key

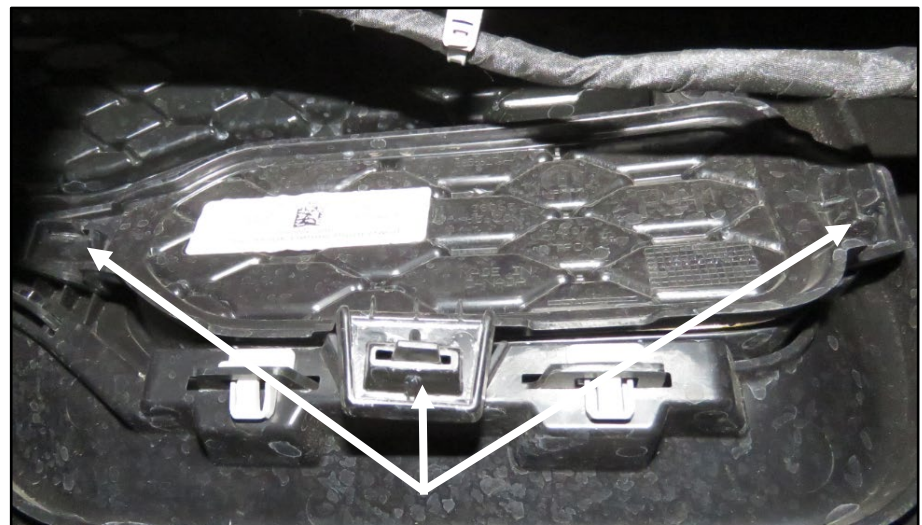


Combo Bolt

TOOLS REQUIRED



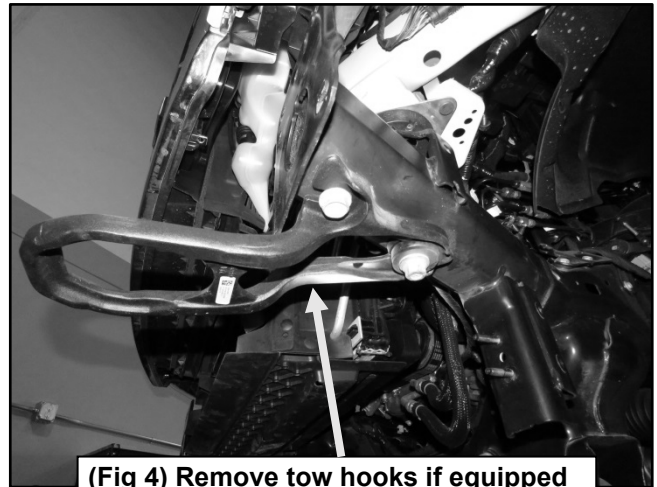
1 Follow (Fig 1 – 4) to prepare the vehicle to install the mounting brackets for the bull bar.





(Fig 3) Plastic cover is fully removed

Note: Vehicles already equipped with tow hooks will not be equipped with plastic covers, but the tow hooks will need to be **removed** to work with the bull bar.



(Fig 4) Remove tow hooks if equipped

2

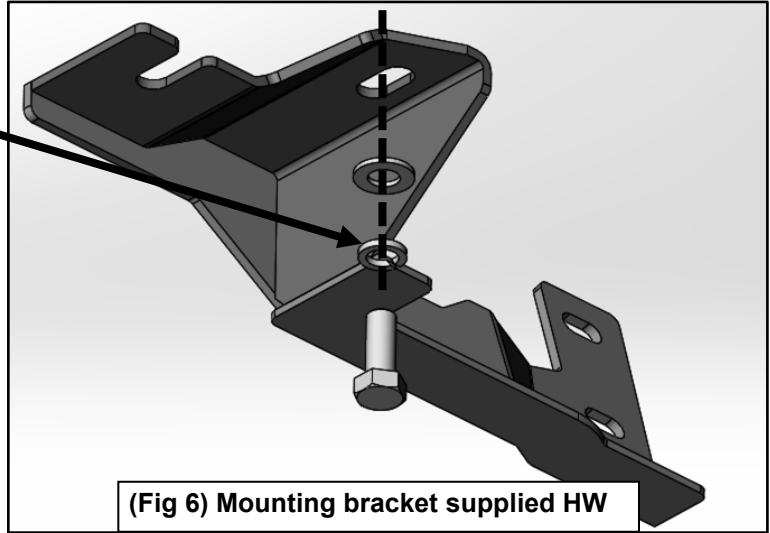
Follow (Fig 5 – 7) to install the mounting brackets to the frame of the vehicle.



(Fig 5) Mounting Bracket mount locations.

Note: Lower air dam does not need to be removed for installing brackets, but removing it will make install much easier

- (1) 14mm Hex Bolt
- (1) 14mm Flat Washer
- (1) 14mm Lock Washer



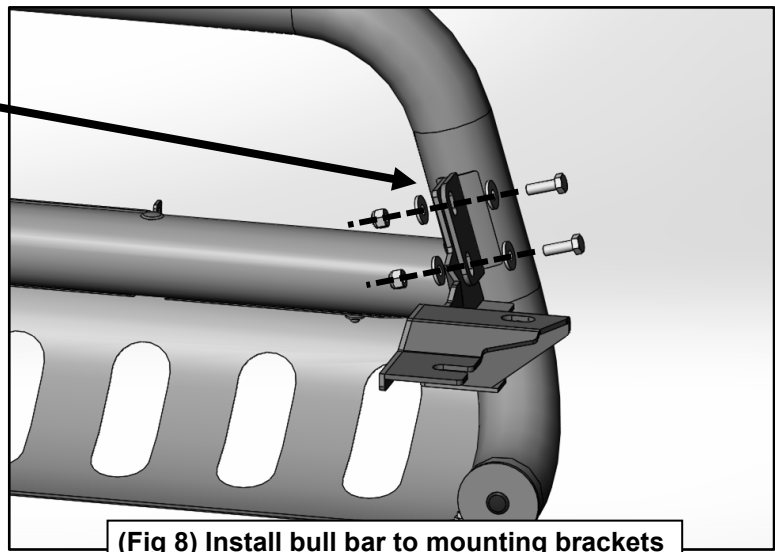
(Fig 6) Mounting bracket supplied HW



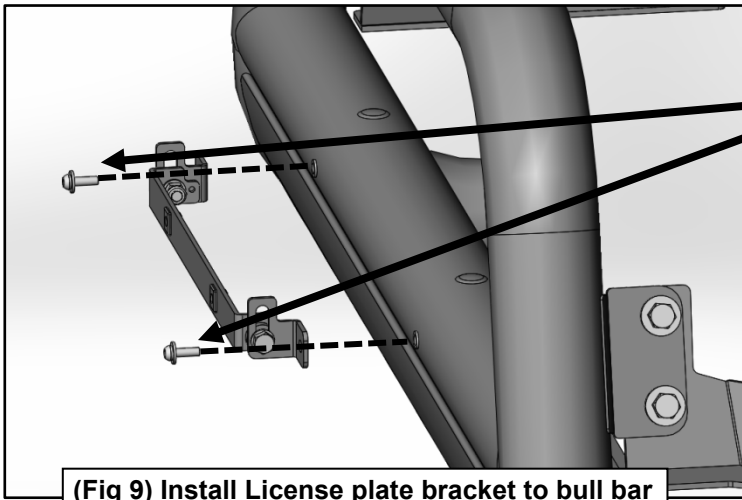
(Fig 7) Mounting bracket installed using OEM HW and supplied HW

3 Follow (Fig 8 - 9) to install bull bar to mounting brackets. Once installation is complete do periodic inspections to the installation to make sure that all hardware is secure and tight.

- (2) 10mm Hex Bolts
- (4) 10mm Flat Washers
- (2) 10mm Lock Nuts



(Fig 8) Install bull bar to mounting brackets



(2) 6mm Button Head Combo Bolts

(Fig 9) Install License plate bracket to bull bar



Install Complete