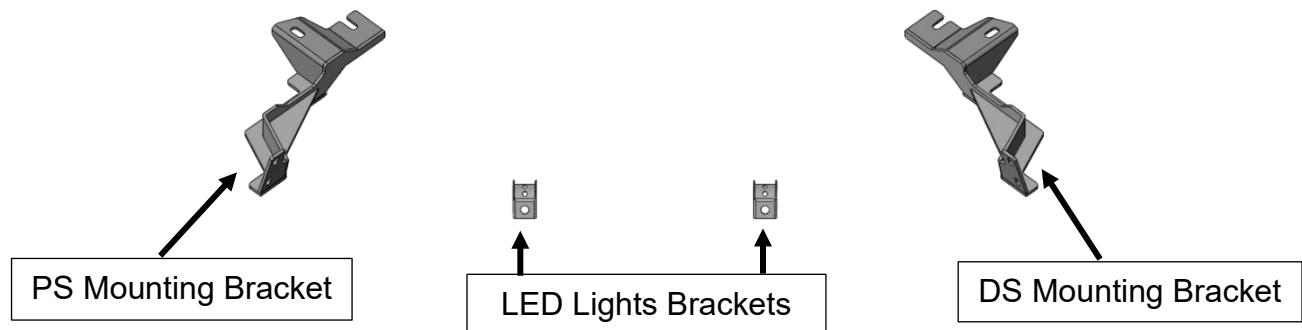
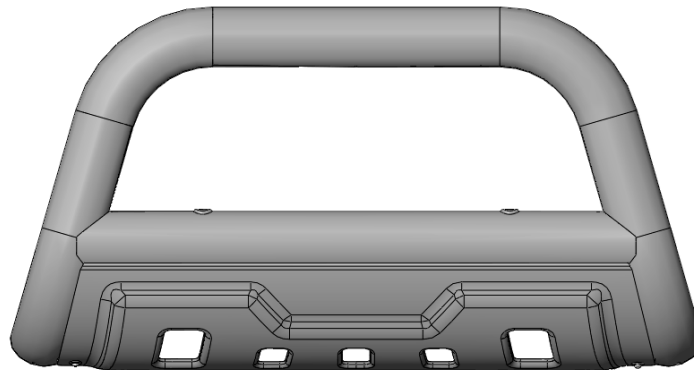




INSTALLATION INSTRUCTIONS

PARTS LIST:

| Description | Qty. |
|---------------------------------------|------|
| 3.5in Bull Bar | 1 |
| Driver/Left Side Mounting Bracket | 1 |
| Passenger/Right Side Mounting Bracket | 1 |
| 10-1.500mm x 30mm Hex Bolts | 4 |
| 10mm x 27mm x 3mm Flat Washers | 8 |
| 10mm Nylon Lock Nuts | 4 |
| 14-2.00mm x 35mm Hex Bolts | 2 |
| 14mm Lock Washers | 2 |
| 14mm x 28mm x 2.5mm Flat Washers | 2 |
| Light Brackets | 2 |
| 6-1.00mm x 20mm Button Head Bolts | 4 |
| 6mm Lock Washers | 4 |
| 6mm x 18mm x 1.6mm Flat Washers | 4 |
| S=4 Allen Wrench | 1 |



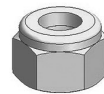
Hex Bolt



Flat Washer



Lock Washer



Nylon Lock Nut



Allen Key



Button Head Bolt

TOOLS REQUIRED



Ratchet



Socket

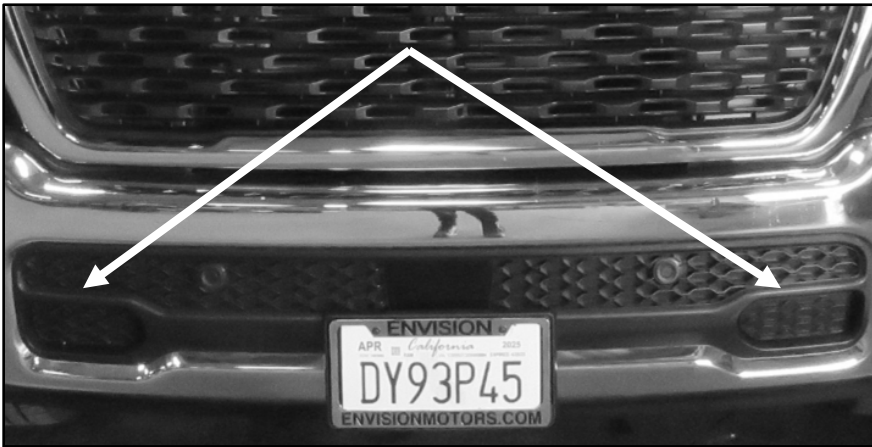


Extensions

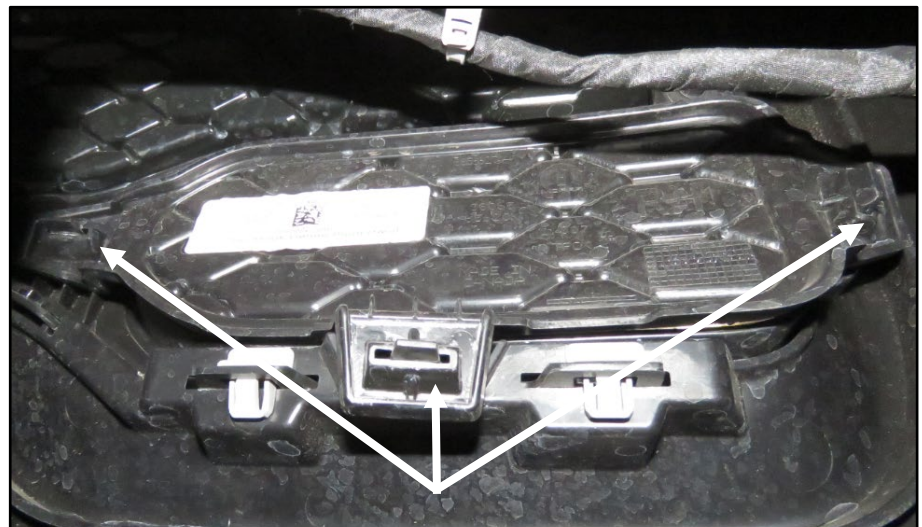


Wrench

1 Follow (Fig 1 – 4) to prepare the vehicle to install the mounting brackets for the bull bar.



(Fig 1) Vehicles that do not come equipped with tow hooks will need to remove the plastic covers

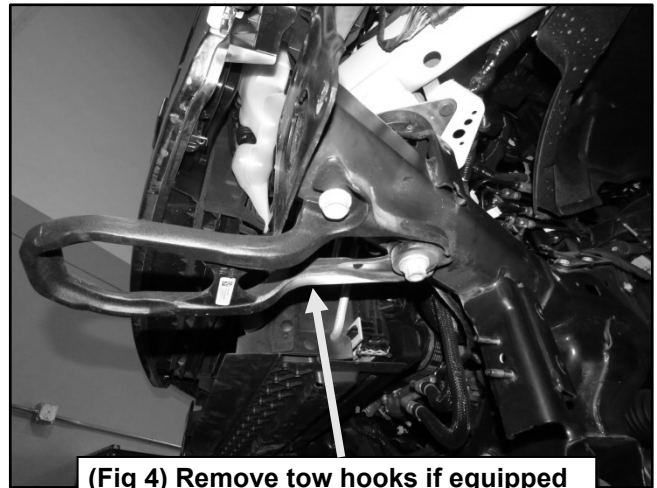


(Fig 2) The plastic covers can be removed by undoing the 3 tabs located on the inside/backside of the bumper



(Fig 3) Plastic cover is fully removed

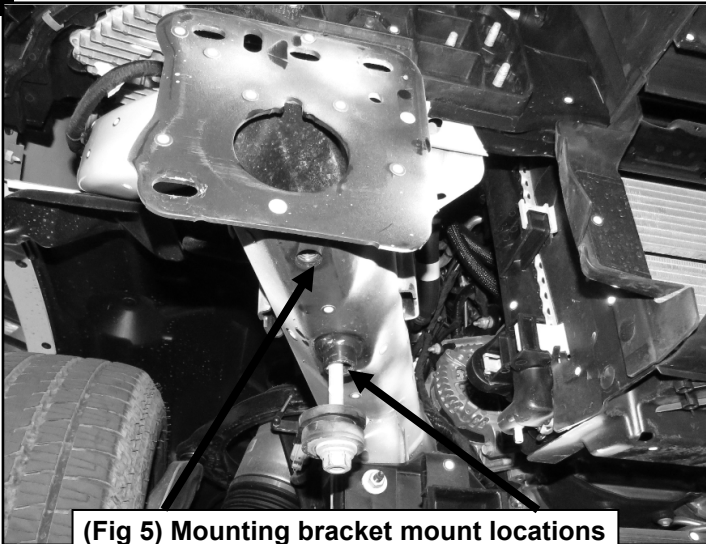
Note: Vehicles already equipped with tow hooks will not be equipped with plastic covers, but the tow hooks will need to be **removed** to work with the bull bar.



(Fig 4) Remove tow hooks if equipped

2

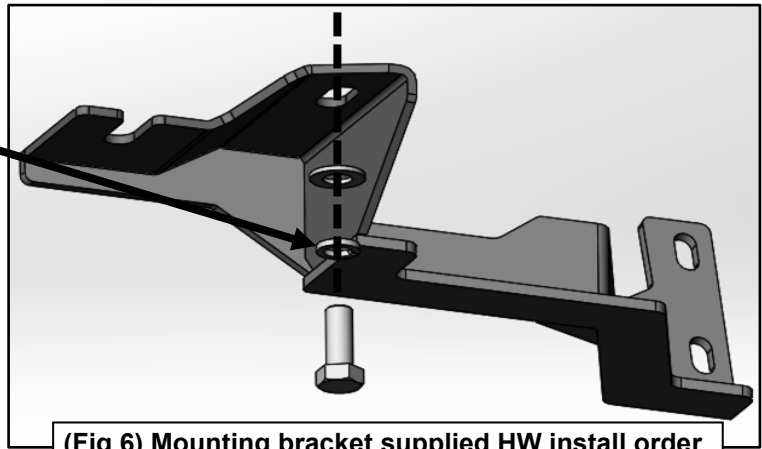
Follow (Fig 5 – 7) to install the mounting brackets to the frame of the vehicle.



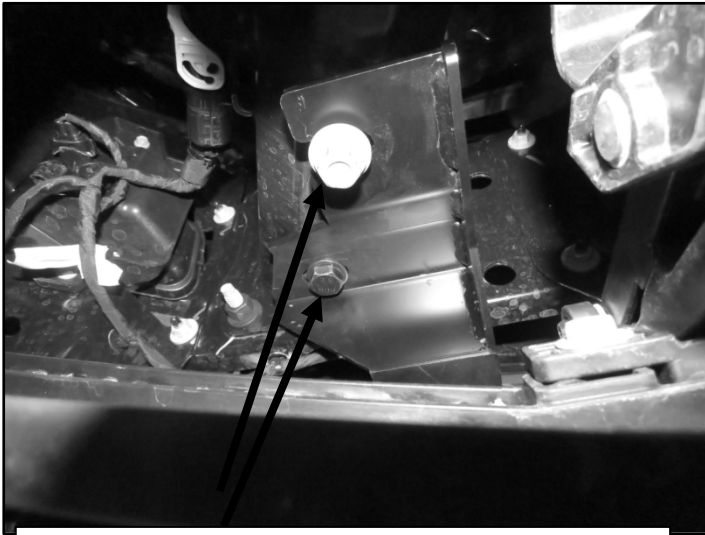
(Fig 5) Mounting bracket mount locations

Note: Lower air dam does not need to be removed for installing brackets, but removing it will make install much easier.

- (1) 14mm Hex Bolt
- (1) 14mm Flat Washer
- (1) 14mm Lock Washer



(Fig 6) Mounting bracket supplied HW install order

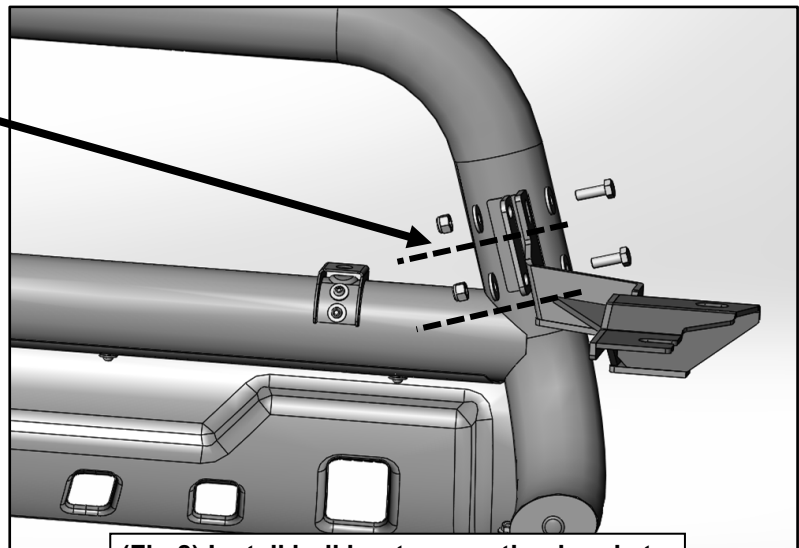


(Fig 7) Mounting bracket installed using OEM HW and supplied HW

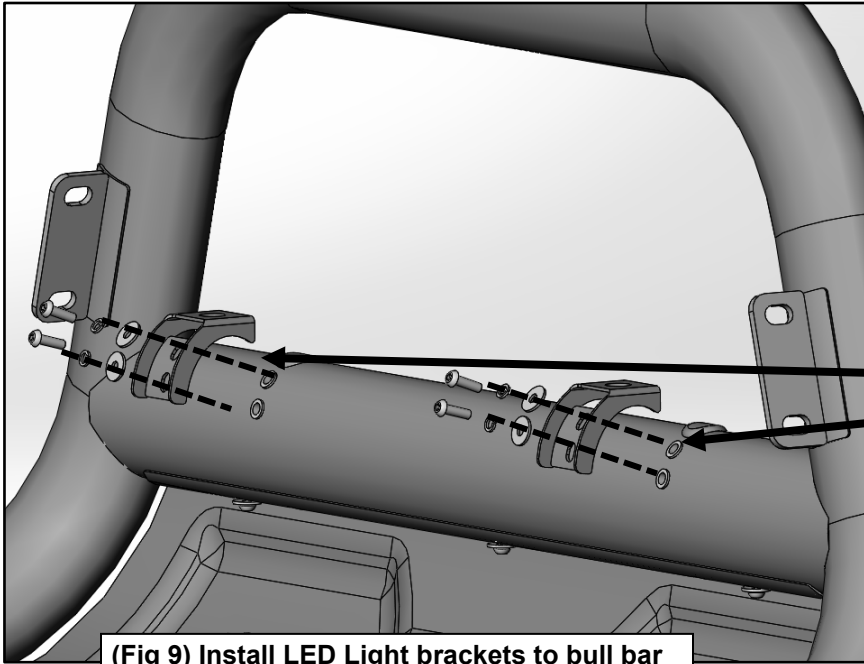
3

Follow (Fig 8 - 9) to install bull bar to mounting brackets. Once installation is complete do periodic inspections to the installation to make sure that all hardware is secure and tight.

- (2) 10mm Hex Bolts
- (4) 10mm Flat Washers
- (2) 10mm Lock Nuts



(Fig 8) Install bull bar to mounting brackets



- (4) 6mm Button Head Bolts
- (4) 6mm Flat Washers
- (4) 6mm Lock Washers

(Fig 9) Install LED Light brackets to bull bar



Install Complete