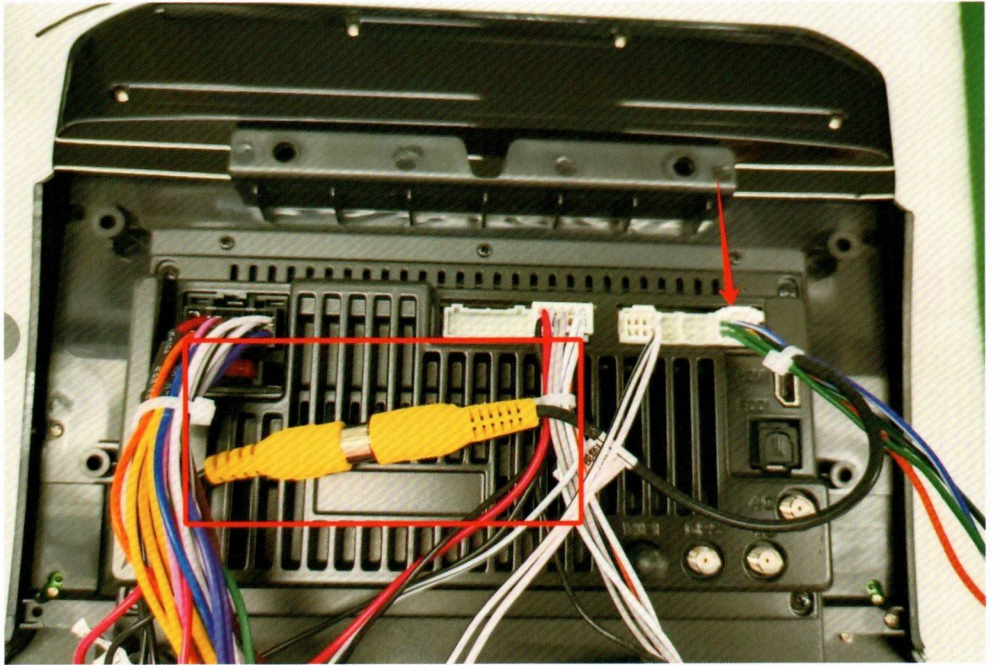


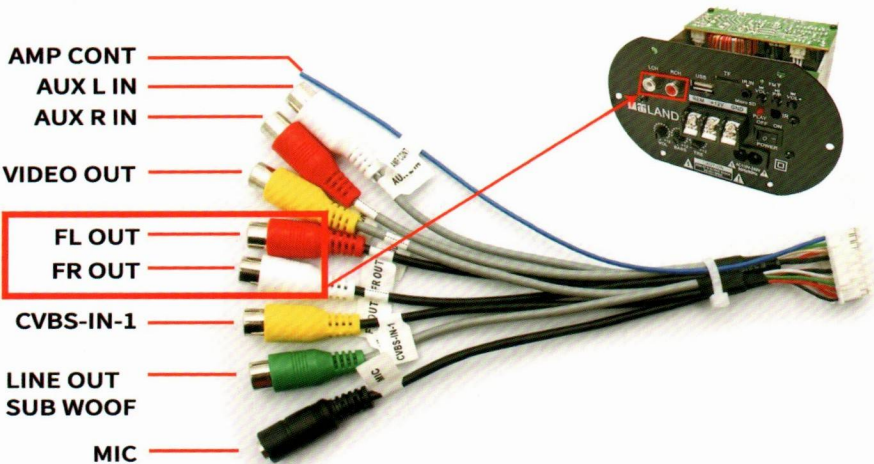
■ OEM Camera

For OEM camera, please find the yellow RCA jack from main wire and connect it to the camera Adapter cable.



■ RCA

Amplifier

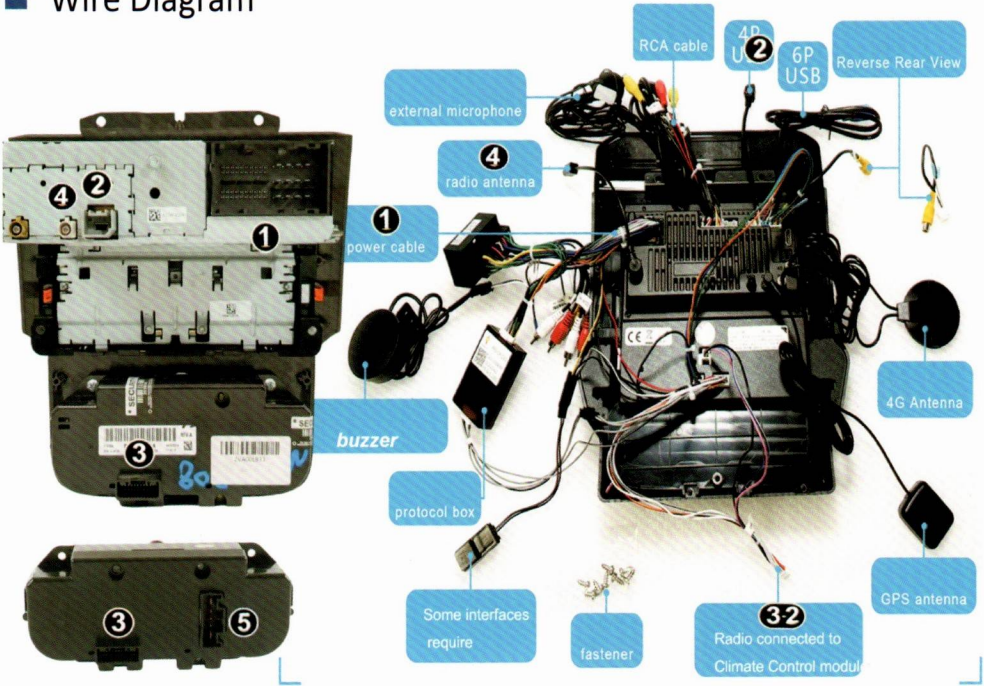


If you need Tech Support or have any question with the Device, please connect us

Email: ustopdisplay@gmail.com

TEL:5857107939

Wire Diagram



- ① Power/Speaker Cable/Reverse signal
- ② USB adapter
- ③ Climate Control port
- ③② Radio connected to Climate Control module
- ④ radio antenna adapter
- ⑤ hazard light port

AC control Module

For Manual AC, need to mount this AC control module on the dash and connect the Harness number #3-2,#3,#5 to it.

