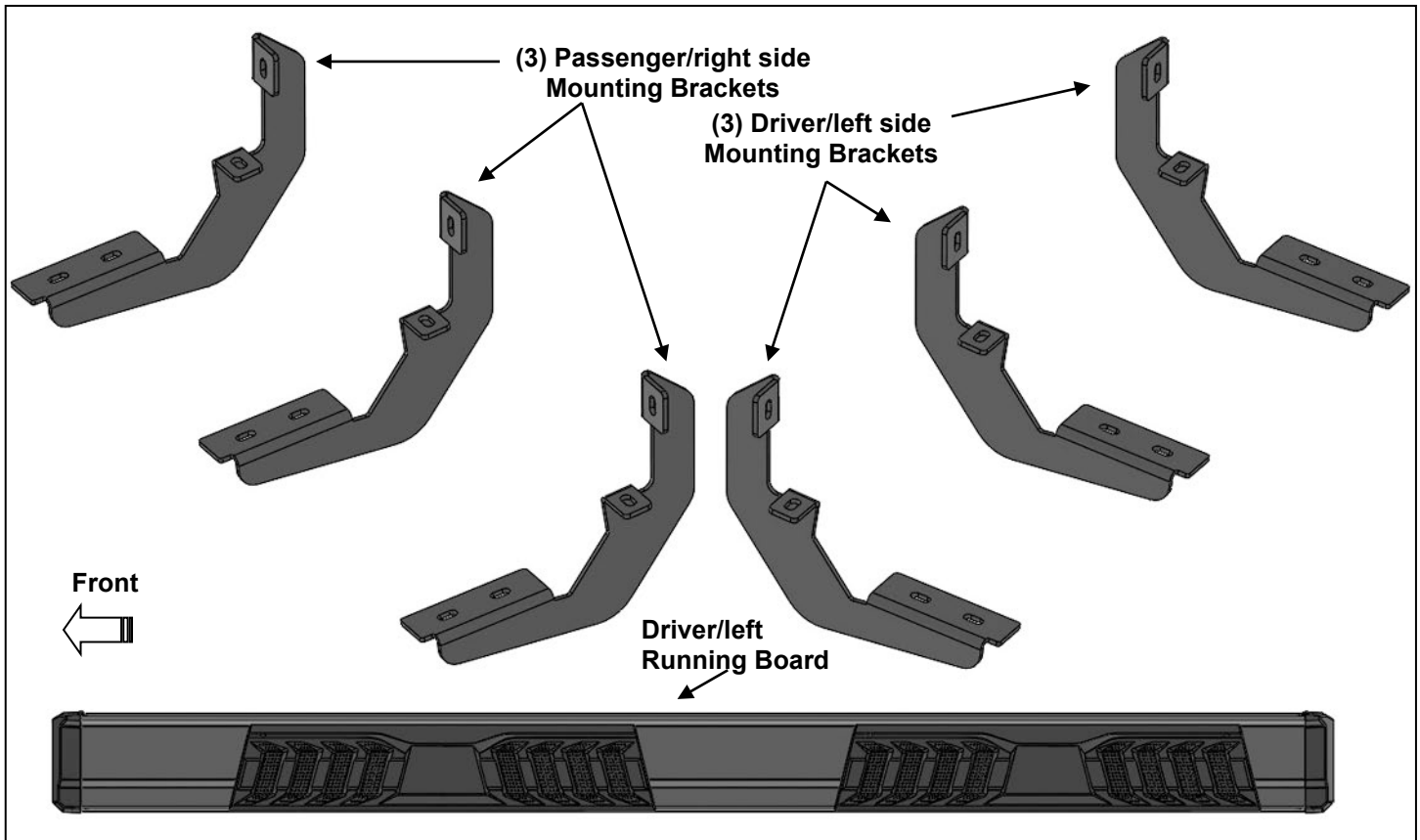


**PARTS LIST: S112502 S112503**

1	Driver/left side Running Board	12	8-1.25mm x 30mm Hex Bolts
1	Passenger/right side Running Board	12	8mm Lock Washers
3	Driver/left side Mounting Brackets	24	8mm x 24mm x 2mm Flat Washers
3	Passenger/right side Mounting Brackets	12	8mm Nylon Lock Nuts
6	8mm x 35mm Double Bolt Plates		

**PROCEDURE:**

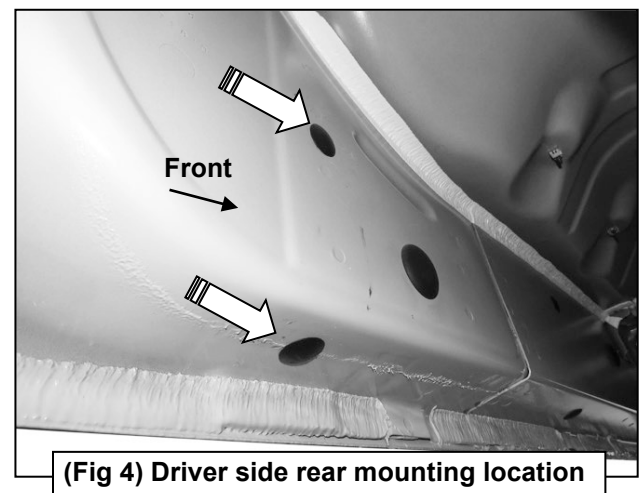
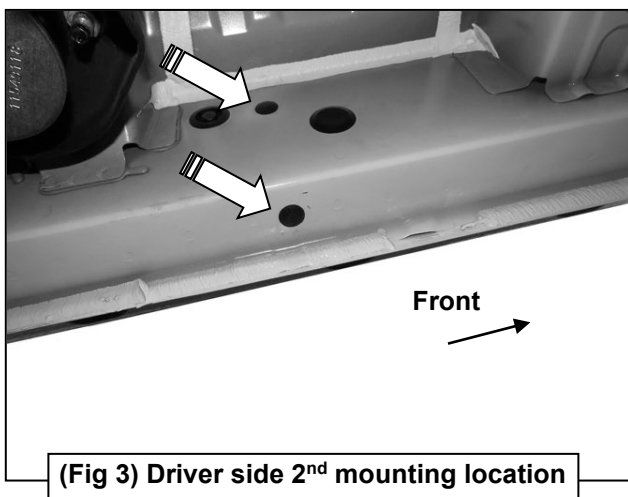
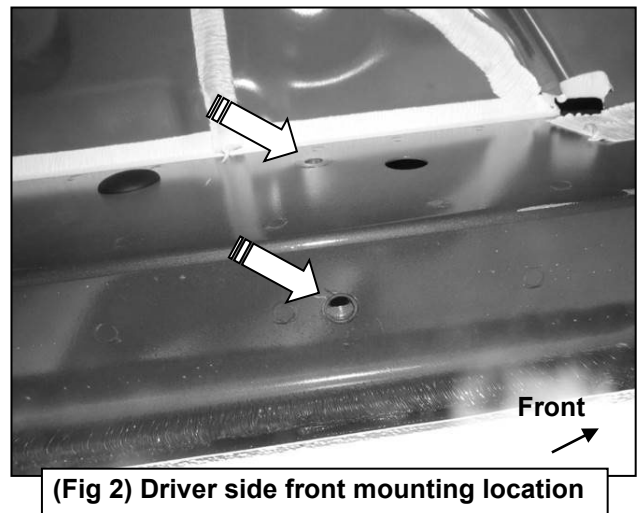
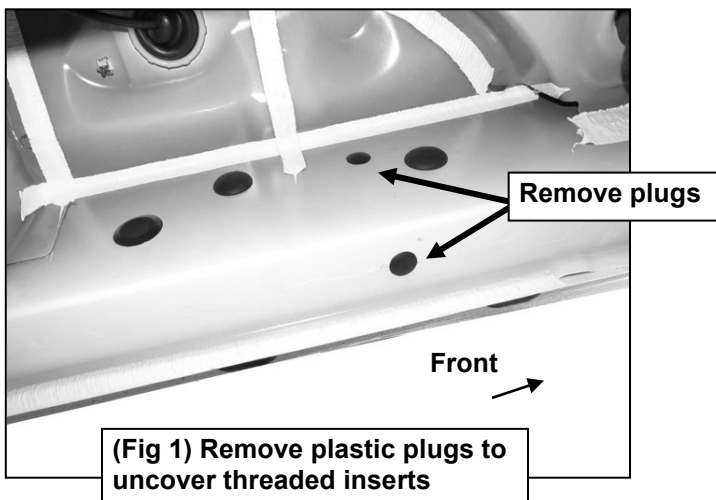
**REMOVE CONTENTS FROM BOX. VERIFY ALL PARTS ARE PRESENT. READ INSTRUCTIONS CAREFULLY BEFORE STARTING INSTALLATION. ASSISTANCE IS RECOMMENDED.**

1. Start the installation under the driver side of the vehicle. Locate the 4 plugs along the bottom edge of the body. Mounting Brackets will bolt to the 1st, 2nd and 4th threaded mounting holes, **(Figures 1—4)**. Remove the plastic plugs from each mounting location. Directly above each threaded insert is a top mounting location on the side of the body panel. Hold a Bracket up in place to help determine the correct mounting holes to use along the body. **NOTE:** Thread an 8mm Hex Bolt into the threaded inserts to clear paint as required.
2. Select (1) Driver/left side Mounting Bracket. Starting at the front of the driver/left side, bolt the Mounting Bracket to the factory threaded holes with (2) 8mm Hex Bolts, (2) 8mm Lock Washers and (2) 8mm Flat Washers, **(Figure 5)**. Do not tighten hardware at this time.
3. Repeat **Steps 1 & 2** to install (2) Driver/left side Mounting Brackets on the remaining mounting locations along the body panel.
4. Select the Driver/left side Running Board. Use the illustration above to help determine the correct Running Board. **NOTE:** The front stepping pad is farther away from the front end of the Running Board. Place the Running Board on top of the Brackets. **IMPORTANT:** Do not slide, (front to back), the Running Board on the Brackets or damage to the finish may result.

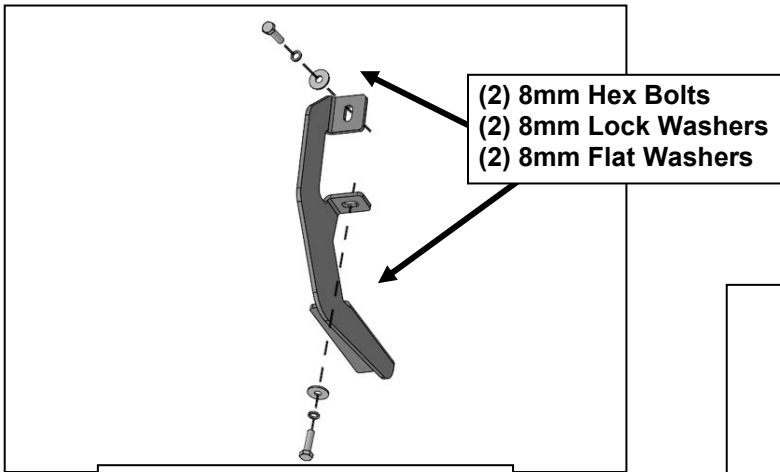
5. Locate the channel opening in the bottom of the Running Board. Select (3) 8mm Double Bolt Plates, **(Figure 6)**. Insert the Bolt Plates into the channel in the bottom of the Running Board closest to the Brackets, **(Figure 7)**. Lift the Running Board up and guide the studs through the Brackets.
6. Attach the Running Board to the Brackets with (6) 8mm Flat Washers and (6) 8mm Nylon Lock Nuts, **(Figure 8)**.
7. Level and adjust the Running Board and fully tighten all hardware.
8. Repeat **Steps 1—7** to install the Passenger/right side Running Board.
9. Do periodic inspections to the installation to make sure that all hardware is secure and tight.

**To protect your investment**, wax this product after installing. Regular waxing is recommended to add a protective layer over the finish. Do not use any type of polish or wax that may contain abrasives that could damage the finish. Aluminum polish may be used to polish small scratches and scuffs on the finish. Mild soap may be used also to clean the Running Board.

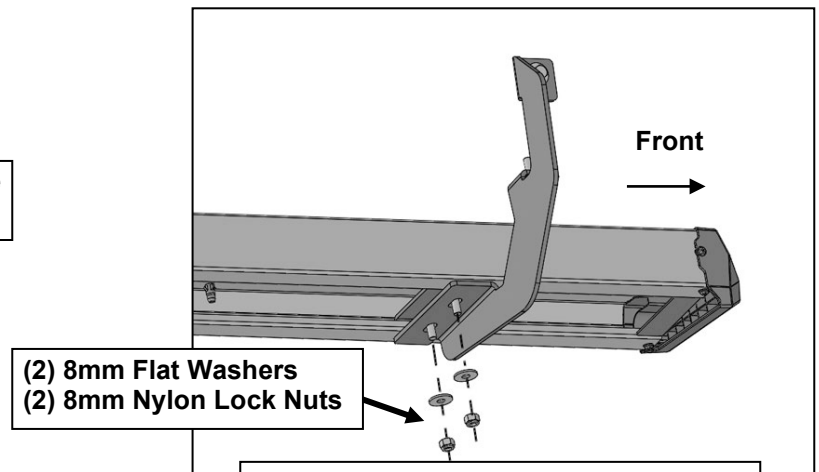
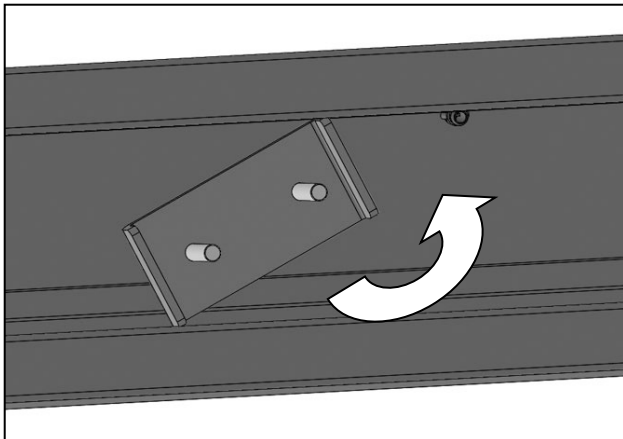
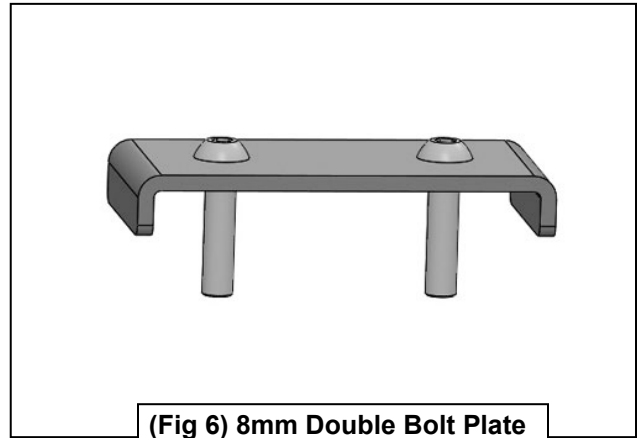
### Driver/left side Installation Pictured



S6 RUNNING BOARD  
2019-2026 1500 CHEVY SILVERADO/ SIERRA DOUBLE CAB  
INCLUDES DIESEL MODELS W/DEF & EXCLUDES 2019 SILVERADO 1500 LD & 2019 SIERRA 1500 LIMITED  
2020-26 SILVERADO/SIERRA 2500/3500 DOUBLE CAB (INCLUDES DIESEL MODELS W/DEF)  
**Driver/left side Installation Pictured**



(Fig 5) Driver/left side Mounting Bracket illustration



(Fig 8) Running Board attached to Driver/left side front Mounting Bracket