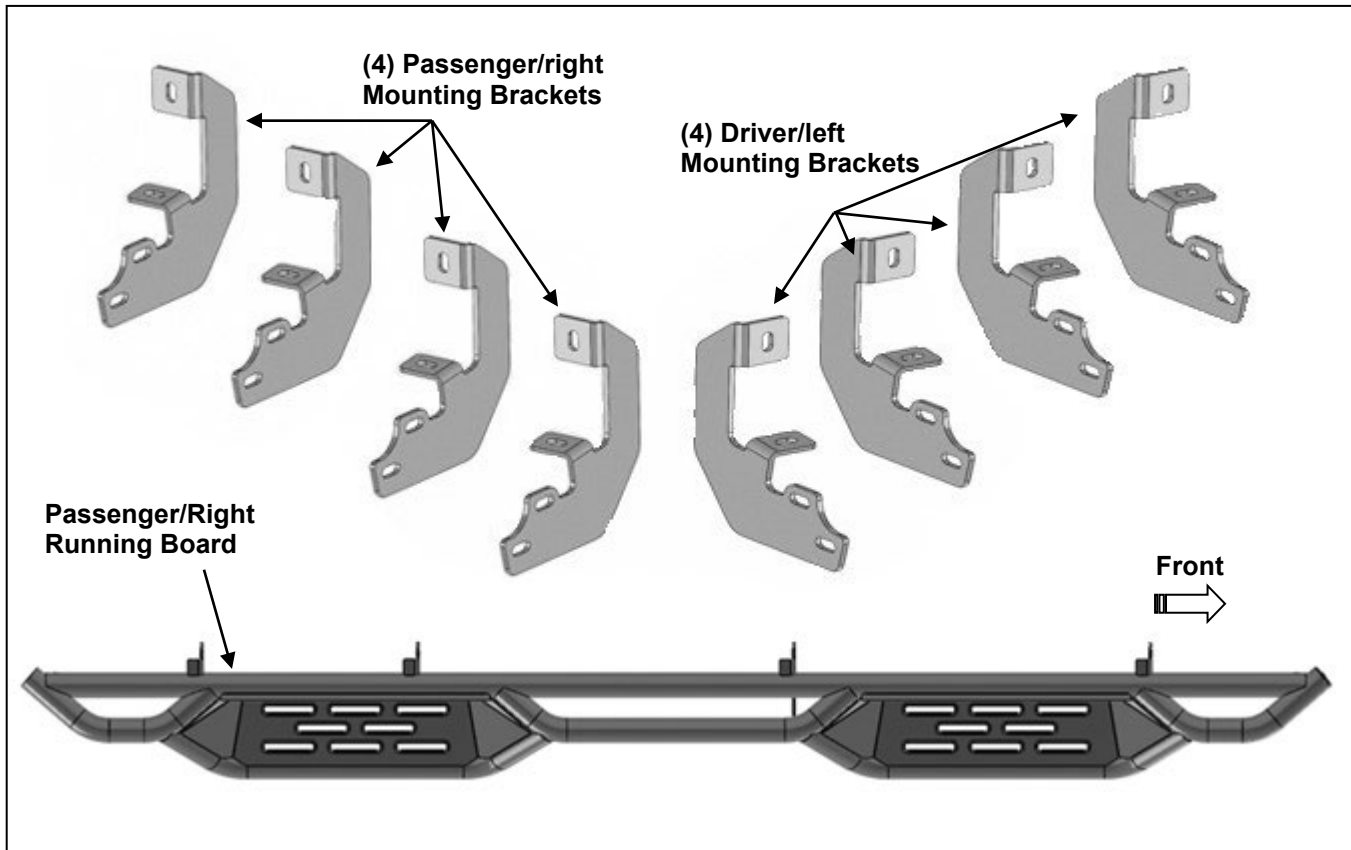


PARTS LIST: S112533

1	Driver/left side NB1 Running Board	32	10mm x 27mm x 3mm Flat Washers
1	Passenger/right side NB1 Running Board	16	10mm Nylon Lock Nuts
4	Driver/left side Mounting Brackets	16	8-1.25mm x 30mm Hex Bolts
4	Passenger/right side Mounting Brackets	16	8mm Lock Washers
16	10-1.5mm x 35mm Hex Bolts	16	8mm x 24mm x 2mm Flat Washers

**PROCEDURE:**

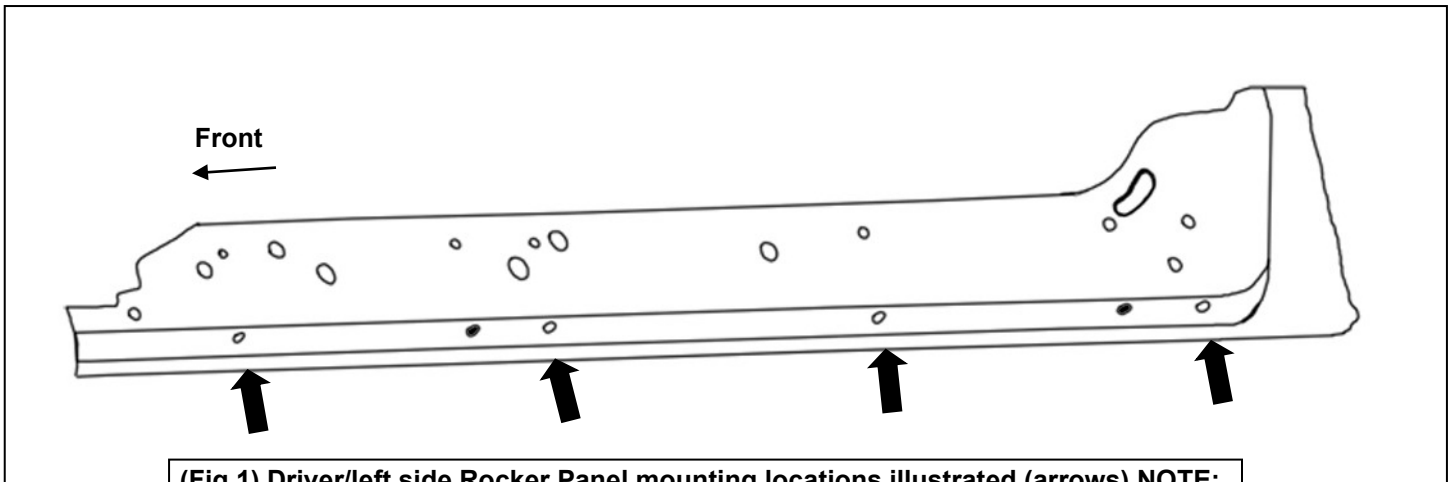
REMOVE CONTENTS FROM BOX. VERIFY ALL PARTS ARE PRESENT. READ INSTRUCTIONS CAREFULLY BEFORE STARTING INSTALLATION. ASSISTANCE IS RECOMMENDED.

1. Start the installation under the passenger/right side of the vehicle. Locate the 6 plugs along the bottom edge of the body. Mounting Brackets will bolt to the 1st, 3rd, 4th and 6th threaded mounting holes, **(Figure 1)**. Remove the plastic plugs from each mounting location. Directly above each threaded insert is a top mounting location on the side of the body panel, **(Figure 2)**. Hold a Bracket up in place to help determine the correct mounting holes to use along the body. **NOTE:** Thread an 8mm Hex Bolt into the threaded inserts to clear paint from hole as required.
2. Select (1) Passenger/right side Mounting Bracket. Starting at the front of the passenger/right side, bolt the Mounting Bracket to the factory threaded holes with (2) 8mm Hex Bolts, (2) 8mm Lock Washers and (2) 8mm Flat Washers, **(Figures 3 & 4)**. Do not tighten hardware at this time.
3. Repeat **Steps 1 & 2** to install the Mounting Brackets on the remaining mounting locations along the body panel, **(Figures 5 & 6)**.
4. Carefully unwrap and select the Passenger/right side Running Board. Use the illustration above to help identify the correct Running Board. Position the mounting tabs on the Running Board to the passenger/right rear of the Mounting Brackets, **(Figure 7)**.
5. Attach the Running Board to the Brackets using (8) 10mm Hex Bolts, (16) 10mm Flat Washers and (8) 10mm Nylon Lock Nuts, **(Figures 8—10)**. Do not tighten hardware at this time.

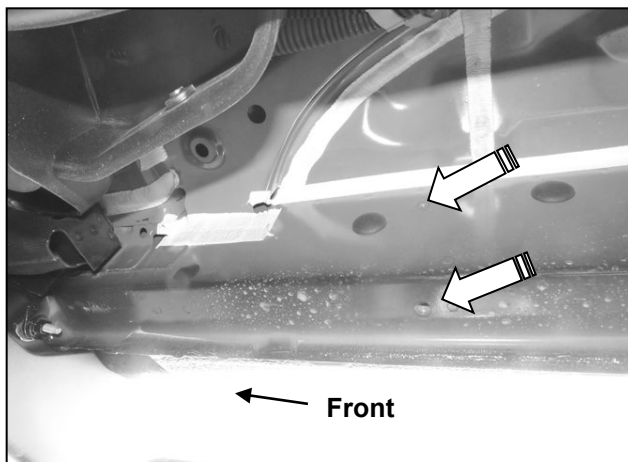
6. Level and adjust the Running Board as necessary and fully tighten all hardware.
7. Repeat **Steps 1—6** for Driver/left side Running Board installation.
8. Do periodic inspections to the installation to make sure that all hardware is secure and tight.

To protect your investment, Do not use any type of polish or wax that may contain abrasives that could damage the finish. Mild soap may be used also to clean the Running Board.

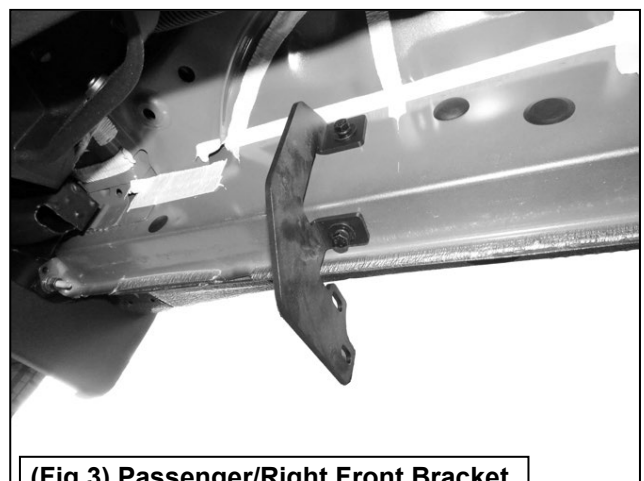
Passenger/Right side Installation Pictured



(Fig 1) Driver/left side Rocker Panel mounting locations illustrated (arrows) NOTE: Hold Bracket up to body panel to help determine the correct mounting locations.

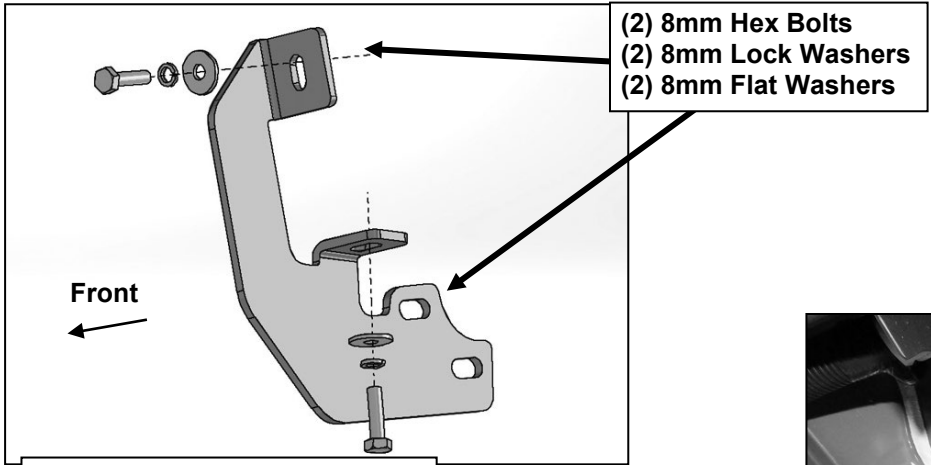


(Fig 2) Passenger/Right front mounting location

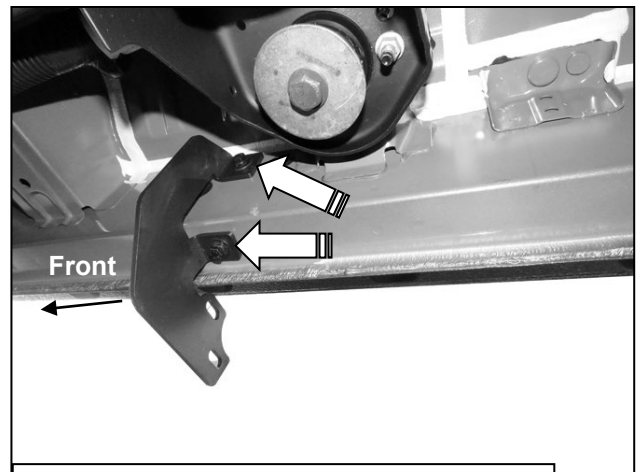


(Fig 3) Passenger/Right Front Bracket

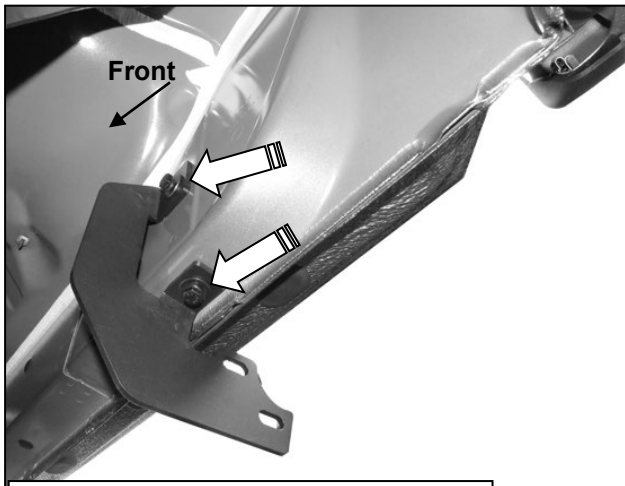
Passenger/Right side Installation Pictured



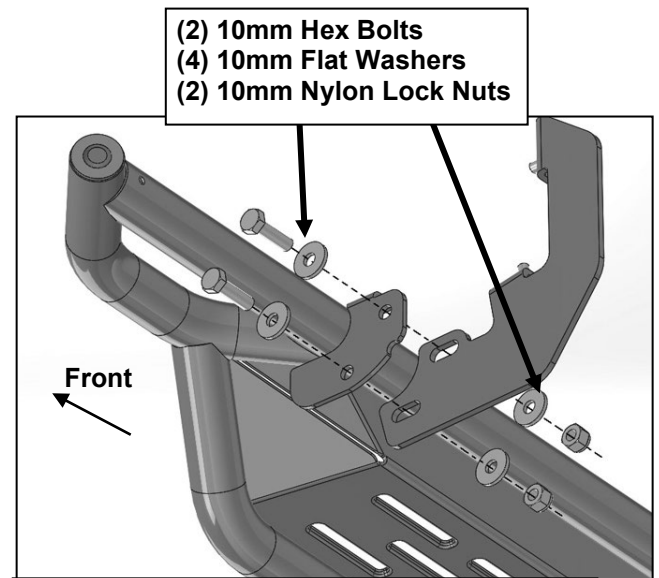
(Fig 4) Mounting Bracket illustration to Body Panel



(Fig 5) Passenger/Right Second Bracket

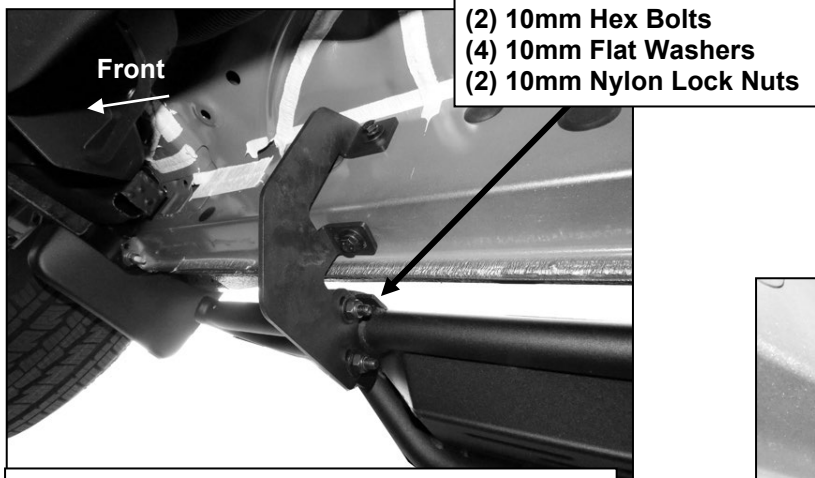


(Fig 6) Passenger/Right rear Bracket



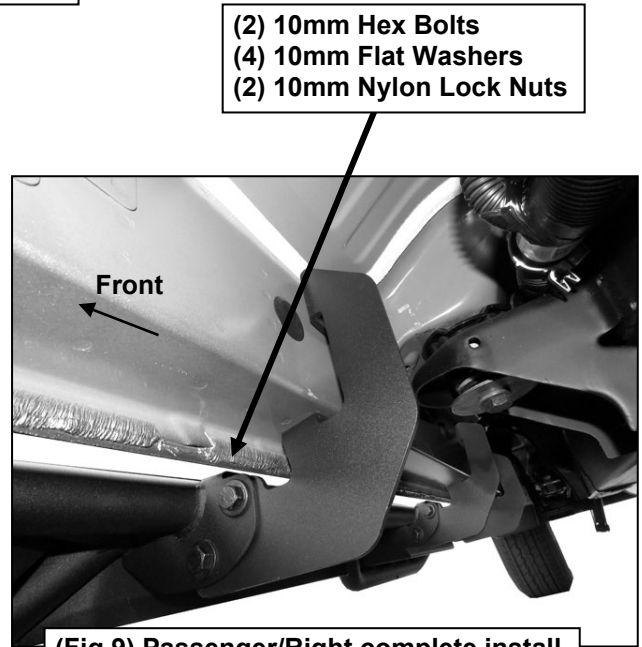
(Fig 7) Mounting Bracket to Running Board

Passenger/Right side Installation Pictured

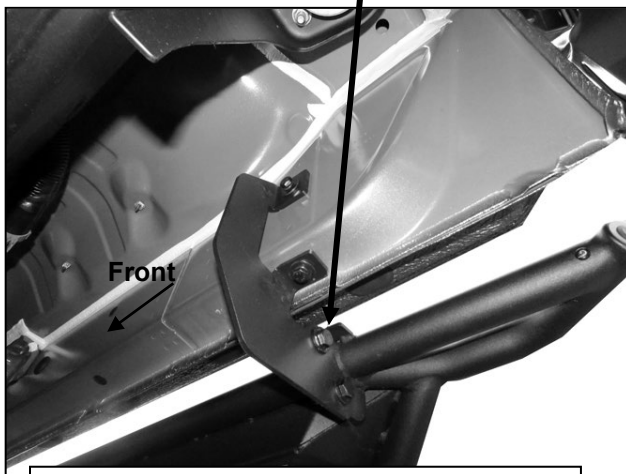


(Fig 8) Passenger/Right front Complete install

- (2) 10mm Hex Bolts
- (4) 10mm Flat Washers
- (2) 10mm Nylon Lock Nuts



(Fig 9) Passenger/Right complete install



(Fig 10) Passenger/Right complete install

