



INSTALLATION INSTRUCTIONS

Rear Inner Wheel Well Liner

CHEVY / GMC 2019+

Part# 451900/452000

Kit# 4519/4520

List of Contents:

1 Pc. Passenger's side Inner Wheel Well Liner



1 Pc. Installation Kit

14 pc. Push Pin



1 Pc. Driver's side Inner Wheel Well Liner



1 pc. Installation Instructions.

Preparations:

Clean the interior panels of the rear Wheel well.

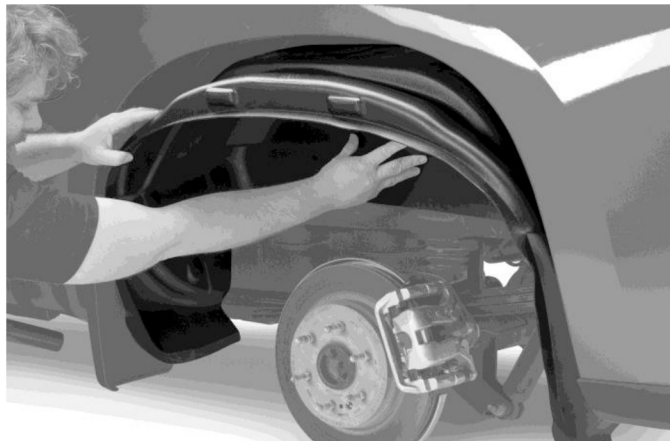
Installation time
estimated: 20 min.

Instructions:

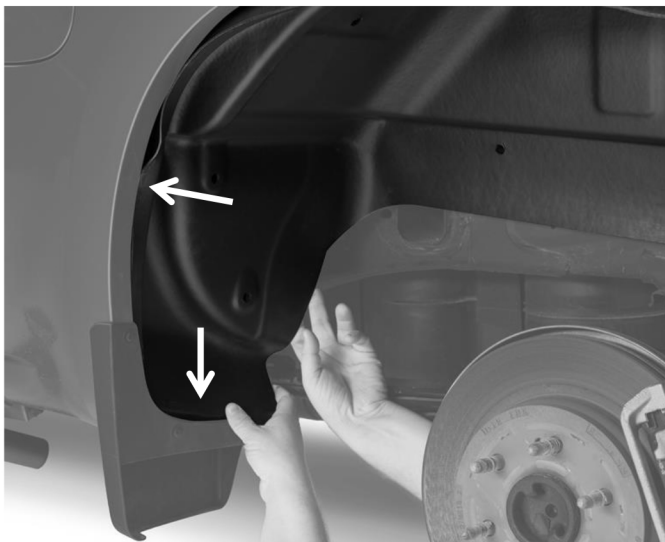
1. PLEASE READ INSTRUCTIONS CAREFULLY BEFORE STARTING THE INSTALLATION.
NOTE: FOR EASIER INSTALLATION THE TIRE CAN BE REMOVED.

One person can perform the installation.

2. Starting on the Passenger's side, mount the Inner Wheel Well Liner marked as (PS) inside the inner panel of the wheel Well.



3. Insert the bottom sides behind the metal flange.





INSTALLATION INSTRUCTIONS

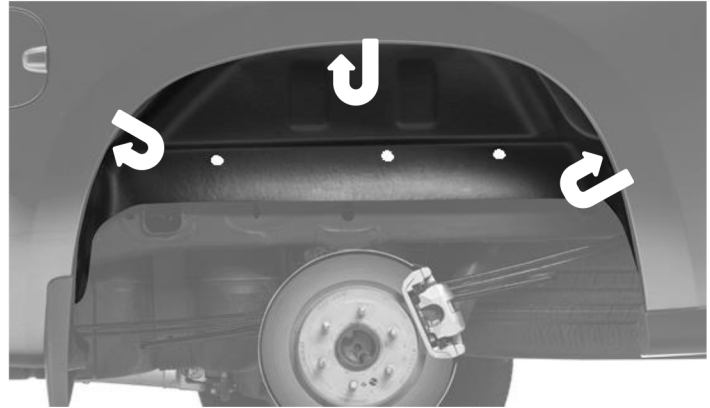
Rear Inner Wheel Well Liner

CHEVY / GMC 2019+

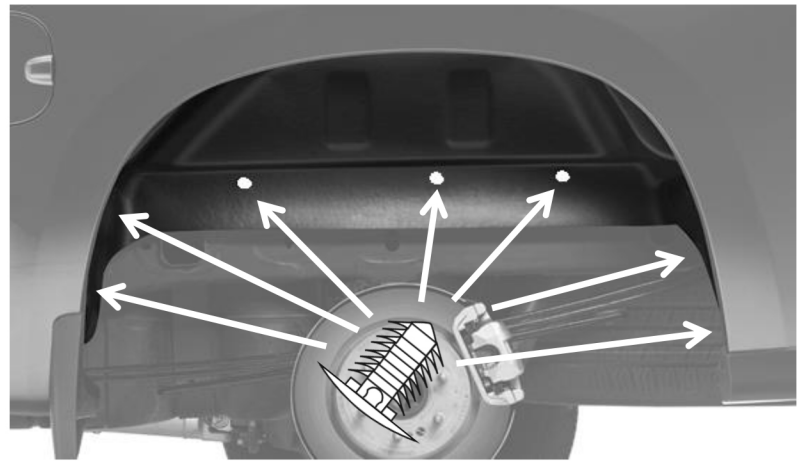
Part# 451900/452000

Kit# 4519/4520

4. Insert the upper section of the plastic liner behind the metal flange. Make sure all edges are tucked inside the metal edge of the wheel well.



5. Locate 7 pre-drilled holes and Install one Push Pin in each location.



6. Re- Install the tire, if removed



**Repeat steps 2 - 6 on
driver's side**

Care and Maintenance Recommendations

To protect the appearance of this product, wash with soap and water