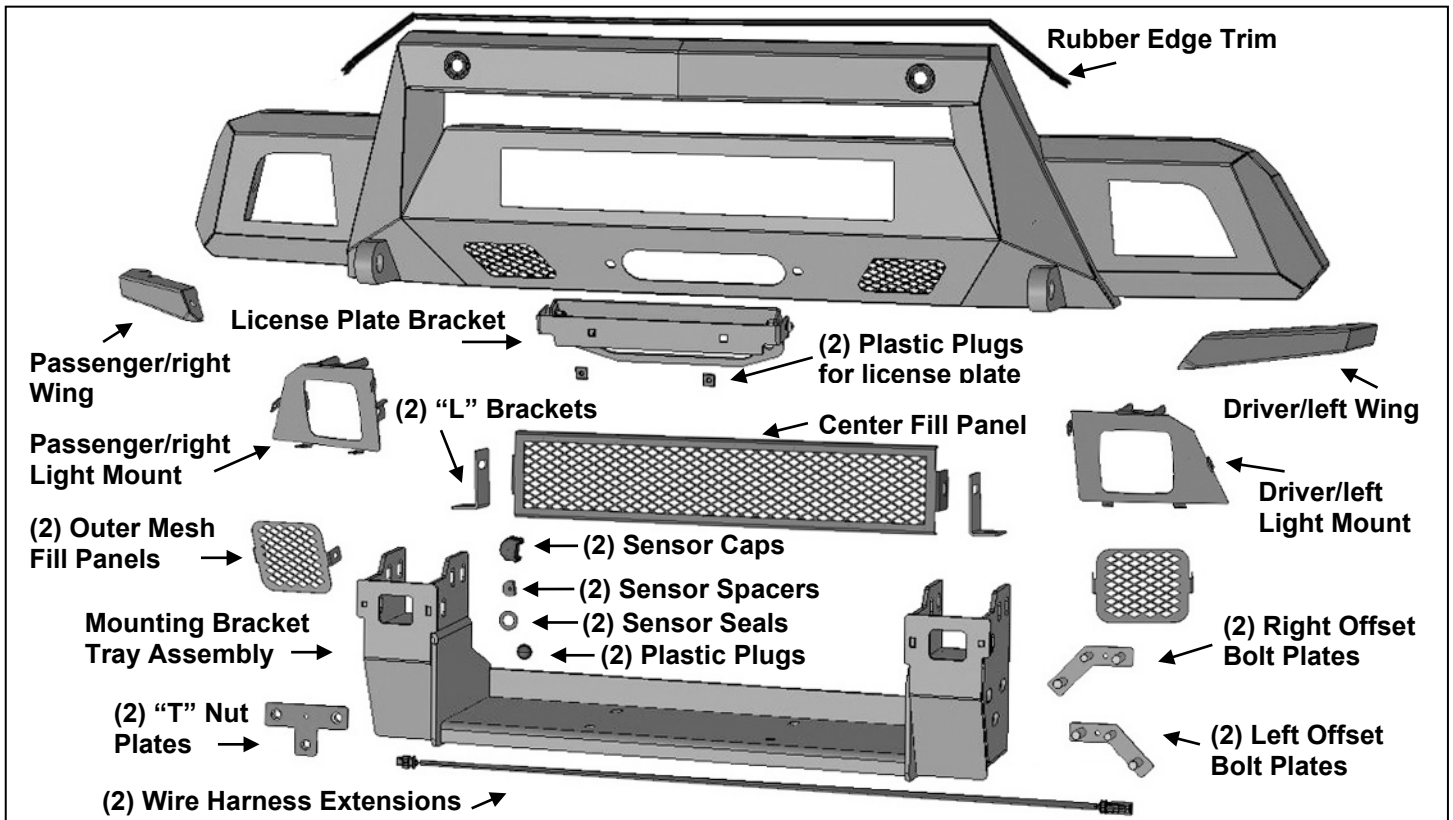


PARTS LIST:

1	HD Winch Front Bumper	6	12mm Lock Washers
1	Driver/left Lower Bumper “Wing”	8	12mm Nylon Lock Nuts
1	Passenger/right Lower Bumper “Wing”	2	10-1.5mm x 30mm Button Head Bolts
1	Mounting Bracket Tray Assembly	4	10mm x 30mm x 2.5mm Flat Washers
2	Outer Mesh Fill Panels	6	10mm Nylon Lock Nuts
1	Center Mesh Fill Panel	4	8-1.25mm x 25mm Hex Bolt
1	Driver/left LED Cube Light Bracket	2	8-1.25mm x 20mm Hex Bolt
1	Passenger/right LED Cube Light Bracket	2	8-1.25mm x 16mm Hex Bolt
2	“L” LED Brackets	8	8mm x 24mm x 2mm Flat Washer
2	Plastic Plugs for License Plate	2	8mm x 16mm x 1.6mm Flat Washer
1	License Plate Bracket	4	8mm Lock Washers
2	15.5mm x 25mm x 2mm Foam Seals	4	8mm Hex Nuts
2	20mm x 10mm Foam Spacers	2	8mm Flange Nuts
2	Sensor Retaining Caps	18	6mm x 20mm Combo Bolts
2	Plastic Plugs	18	6mm Flanged Nuts
2	Wire Harness Extensions	4	4mm Self Tapping Screws
1	Sensor Cover Kit	1	6mm Wrench
2	Left Offset Triple Bolt Plates	1	5mm Wrench
2	Right Offset Triple Bolt Plates	1	4mm Wrench
2	12mm “T” Triple Nut Plates	1	1100mm Rubber Edge Trim
6	12-1.75mm x 45mm Hex Bolts	10	Plastic Wire Ties
14	12mm x 37mm x 3mm Flat Washers		



PROCEDURE:

REMOVE CONTENTS FROM BOX. VERIFY ALL PARTS ARE PRESENT. READ INSTRUCTIONS CAREFULLY BEFORE STARTING INSTALLATION. ASSISTANCE IS RECOMMENDED TO AVOID POSSIBLE INJURY OR DAMAGE TO THE VEHICLE.

1. Open the hood and remove the plastic cover from the top of the grille and radiator, **(Figure 1)**. Models with grille mounted camera, unplug camera. Next, remove the screws attaching the grille to the radiator core support. Once all hardware has been removed, firmly pull the grille straight out from the vehicle to release the grille from the clips, **(Figure 2)**. Place grille on a clean, soft surface.
2. Remove the license plate and bracket. On diesel models, unplug the harness leading to the block heater plug in the bumper. On models with factory fog lights and/or bumper sensors, unplug the wiring harness leading to the bumper, **(Figure 3)**. **NOTE:** Wiring harness connector is located up and behind the passenger/right side of the bumper. Release clips attaching passenger/right fender liner to access plug for main wiring harness. Move harness away from bumper.
3. From behind the driver/left side of the bumper, remove the outer bumper support connected to the side of the frame and the outer end of the bumper, **(Figure 4)**.
4. Remove the hardware attaching the bottom of the bumper to the bumper brackets.
5. Repeat **Steps 3 & 4** to remove the passenger/right bumper support and lower bumper hardware.
6. Move back to the top of the bumper. Pull back the rubber cover between the bumper and the bottom of the radiator to expose the bolts attaching the top of the bumper bracket to the frame, **(Figure 5)**.
7. Place blocks or jack stands under the front bumper to support it during mounting bolt removal. Once the bumper has been safely supported, remove the bumper bolts attaching the bumper assembly to the top of the bumper bracket, **(Figure 5)**. **WARNING!** Assistance is required to hold the bumper in place during bolt removal to prevent the bumper from falling. Carefully slide the bumper assembly with brackets off of the ends of the frame.
8. Remove both tow hooks from the end of the frame if equipped, **(Figure 6)**.
9. Select the Frame Bracket Tray Assembly, **(Figure 7)**. With assistance, slide the Bracket Assembly over the end of the frame. Insert (1) Left Offset Triple Bolt Plate into the end of the driver/left side of the frame and out through the holes in the side of the frame and Mounting Bracket. **NOTE:** Each end of the Bracket Assembly will require (1) Left Offset and (1) Right Offset Bolt Plate for installation.
10. Attach the Bracket Assembly to the Bolt Plate with the included (2) 12mm Flat Washers, (2) 12mm Nylon Lock Nuts, (1) 10mm Flat Washer and (1) 10mm Nylon Lock Nut, **(Figure 7)**. Repeat to install (1) Right Offset Bolt Plate in the remaining holes in the other side of the Bracket Assembly, **(Figure 8)**.
11. Repeat **Steps 9 & 10** to attach the passenger/right side of the Bracket Assembly, **(Figure 8)**.
12. Remove the air dam. Disassemble the factory bumper to remove the lower bumper fill panel, **(Figure 9)**. **NOTE:** Air dam and fill panel will not be reinstalled.
13. Determine if bumper is equipped with parking sensors.

Models without sensors:

- a. Push the included (2) Plastic Plugs into the holes in the Bumper Hoop for sensors, **(Figure 10)**. Skip to **Step 14**.

Models with parking sensors.

- a. Unplug and remove the (2) center sensors from the factory bumper.
 - b. Select (1) sensor. Remove the silicone seal from the end of the sensor. Slide the included larger Foam Sensor Seal over front of sensor, **(Figure 11)**.
 - c. Insert sensor with Seal into sensor mount on the hoop on the Bumper, **(Figure 12)**.
 - d. Place Foam Spacer onto the end of sensor. Push Sensor Retaining Cap and snap onto the sensor mount, **(Figure 12)**. Repeat to install the remaining sensor.
14. Reassemble the factory bumper. On models equipped with sensors, select (1) Wire Harness Extension. Push the Extension through the sensor mount hole in the center of the factory bumper and plug into the inner factory harness, **(Figure 13, 14 & 21)**. Repeat to insert the remaining Harness Extension.
 15. Determine if factory fog lights, (if equipped), LED Cube style lights, (not included), or if no lights will be installed with Bumper.

Models equipped with and reusing factory fog lights:

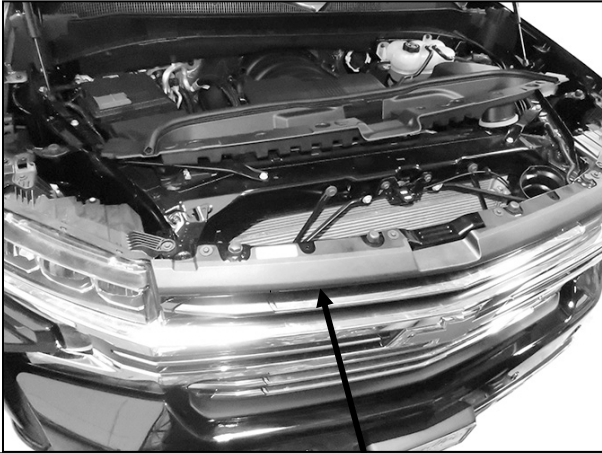
- a. Leave fog lights attached to plastic mounts on back of factory bumper, **(Figure 13)**.

Cube style LED light installation (not included):

- a. Remove factory fog lights, (if equipped), from mounts on back of factory bumper, **(Figure 14)**.
 - b. Select the driver/left Cube Light Mounting Bracket, **(Figure 15)**. Attach the Bracket to the back of the Bumper with the included (5) 6mm x 20mm Combo Bolts and (5) 6mm Flange Nuts.
 - c. Attach cube light to the tab at the top of the Mounting Bracket.
 - d. Repeat previous Steps to install the passenger/right cube light Bracket and light.
 - e. **NOTE:** If lights will not be installed, attach the included (2) Mesh Fill Panels to the Cube Light Brackets with (4) 6mm x 20mm Combo Bolts and (4) 6mm Flange Nuts, **(Figure 16)**.
- 16. Determine if a center LED bar style light, (not included), or Mesh Fill Panel will be installed.**
- Center LED light installation, (not included).**
- a. Select the (2) “L” Light Brackets, **(Figure 17)**. Attach the Brackets to the (2) mounting tabs on the back of the bumper with the included (2) 8mm x 25mm Hex Bolts, (4) 8mm STD Flat Washers, (2) 8mm Lock Washers and (2) 8mm Hex Nuts. Leave loose at this time.
 - b. Attach the LED light to the “L” Brackets with the hardware included with the light or the included (2) 8mm x 16mm Hex Bolts, (2) 8mm Lock Washers and (2) 8mm STD Flat Washers, **(Figure 17)**. Do not fully tighten hardware at this time.
- Center Fill Panel Installation, (do not install Fill Panel with light).**
- a. Repeat the previous **Step** to install the (2) “L” Brackets.
 - b. Attach the Center Fill Panel to the “L” Brackets with the included (2) 8mm x 25mm Hex Bolts, (4) 8mm STD Flat Washers, (2) 8mm Lock Washers and (2) 8mm Hex Nuts, **(Figure 18)**.
 - c. Push Fill Panel up against the back of the Bumper and fully tighten hardware.
- 17. If installing winch, (winch not included), attach the winch to the Winch Tray at this time. Winch must be installed before Bumper is placed in position. Follow manufacturer’s instructions to install winch.**
- 18. Attach winch cable guide, (not included), to front of Bumper. NOTE:** On vehicles requiring front license plate, select the Pivoting License Plate Bracket, **(Figure 19)**. Use the included (2) 10mm x 30mm Button Head Bolts and (2) 10mm Nylon Lock Nuts to attach the Bracket alone or if installing winch, between the cable guide and the Bumper. Push the included (2) push-in Plastic Plugs into the square holes in the Bracket and reuse the factory hardware to attach the license plate to the Plastic Plugs.
- 19. Attach the included Edge Trim to the top edge of the Bumper, (Figure 20).**
- 20. Reinstall the factory bumper. Plug factory harness into main harness on vehicle, (Figure 21).**
- 21. Reinstall the plastic grille, camera if equipped and cover removed in Step 1, (Figure 1).**
- 22. Place the Bumper face down in front of the vehicle. Models with sensors, plug the Wire Harness Extensions into the (2) sensors in the Bumper, (Figure 21).**
- 23. With assistance, position the Bumper up to the outside of the Mounting Brackets and factory bumper. Temporarily support the weight of the Bumper. WARNING:** To avoid possible injury or damage to the vehicle, do not proceed until the Bumper is fully and safely supported.
- 24. Line up the (3) slots in the driver/left side mounting plate on the back of the Bumper with the Frame Bracket assembly. Insert (1) “T” Nut Plate into the back of the Frame Bracket, (Figure 22). Attach the Bumper to the Frame Bracket and “T” Nut Plate with the included (3) 12mm x 45mm Hex Bolts, (3) 12mm Lock Washers and (3) 12mm Flat Washers, (Figure 23). Repeat to attach the passenger/right side of the Bumper to the Bracket Assembly.**
- 25. Level and adjust the Bumper and fully tighten all hardware.**
- 26. Select the driver/left Lower Wing. Attach the Wing to the end of the Bumper with (1) Hex Bolt, (1) Flat Washer and (1) Flange Nut, (Figure 24). Attach the top of the Wing to the bottom of the factory bumper with the included (2) 6mm Button Head Combo Bolts and (2) 6mm Flange Nuts, (Figure 25). Repeat this Step to attach the passenger/right Lower Wing to the Bumper.**
- 27. Do periodic inspections to the installation to make sure that all hardware is secure and tight.**

To protect your investment, Do not use any type of polish or wax that may contain abrasives that could damage the finish. Mild soap may be used to clean the Front Bumper assembly.

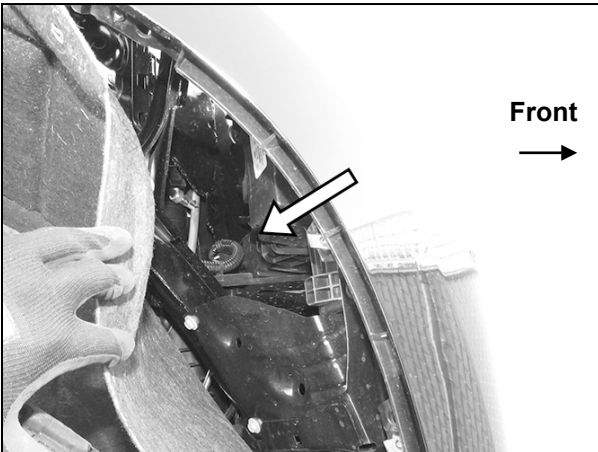
HD STUBBY WINCH FRONT BUMPER – SKU # S128991
2019-2021 CHEVY SILVERADO 1500 (EXCLUDES DIESEL, EXCLUDES "LD" MODELS)
Driver/left Side Installation Pictured



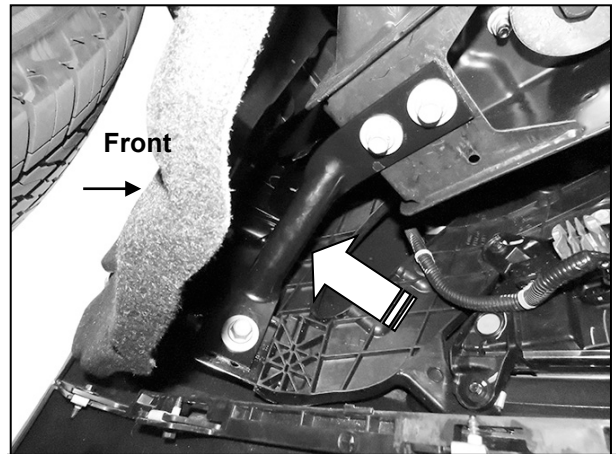
(Fig 1) Remove cover and screws attaching grille



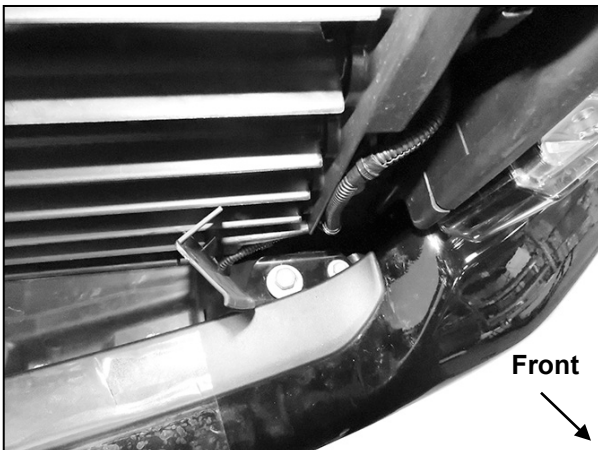
(Fig 2) Firmly pull grille straight out from vehicle



(Fig 3) Through the passenger/right fender liner, unplug wiring harness leading to front bumper (arrow)



(Fig 4) Remove outer bumper supports (arrow)



(Fig 5) Pull back cover to locate top bumper bolts

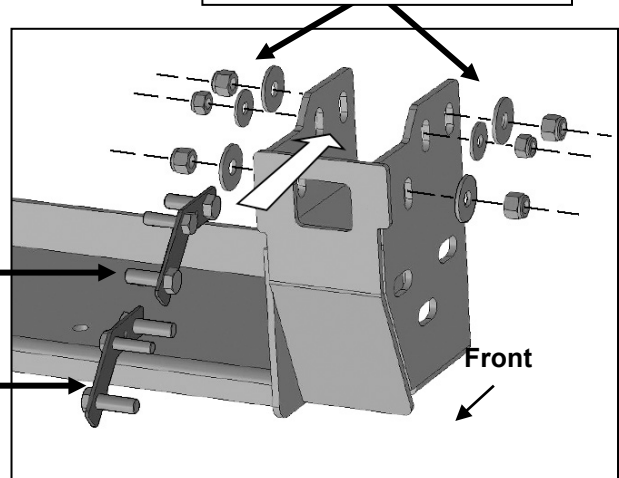
Driver/left Side Installation Pictured



(Fig 6) Remove tow hooks if equipped

WARNING! Do not crawl under bumper unless it is properly supported on blocks or stands or the bumper may fall.

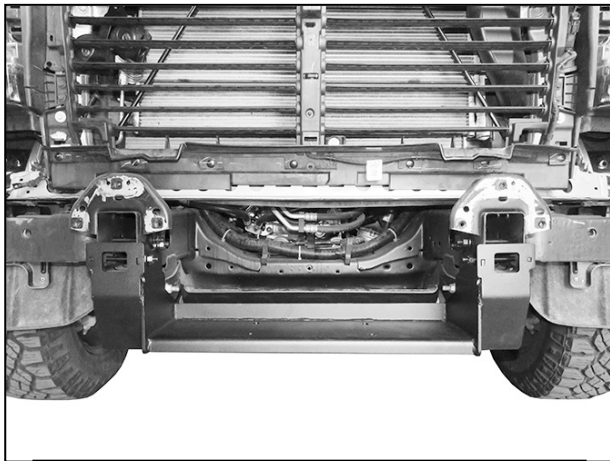
- Outer bolts
- (4) 12mm Flat Washers
- (4) 12mm Nylon Lock Nuts
- Center bolts
- (2) 10mm Flat Washers
- (2) 10mm Nylon Lock Nuts



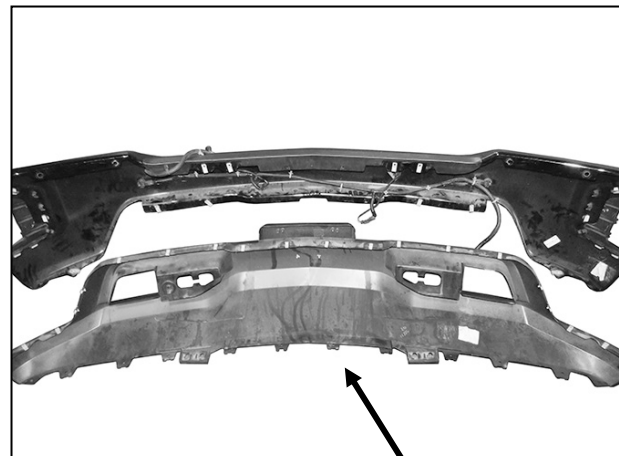
(1) Left Offset Triple Bolt Plate

(1) Right Offset Triple Bolt Plate

(Fig 7) Use (1) each of the included Left Offset and Right Offset Triple Bolt Plates to attach the Bracket assembly to the frame

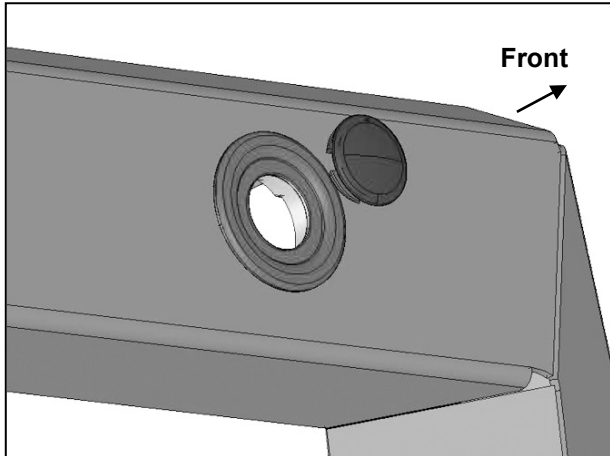


(Fig 8) Frame Bracket assembly installed

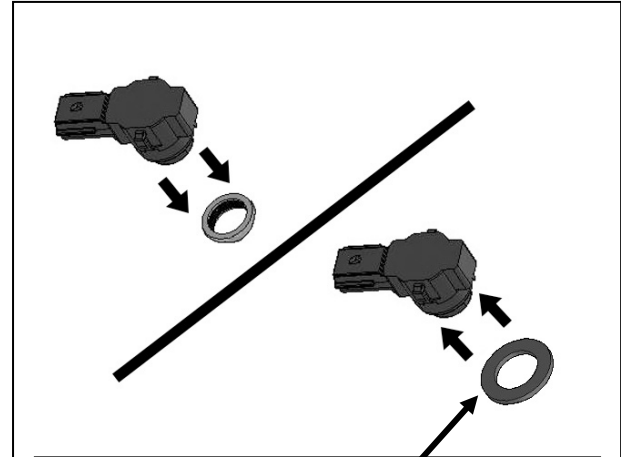


(Fig 9) Disassemble front bumper assembly to remove lower bumper insert (arrow)

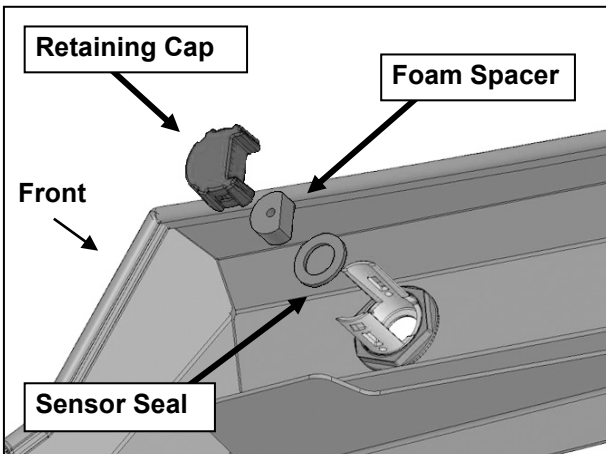
HD STUBBY WINCH FRONT BUMPER – SKU # S128991
2019-2021 CHEVY SILVERADO 1500 (EXCLUDES DIESEL, EXCLUDES "LD" MODELS)
Driver/left Side Installation Pictured



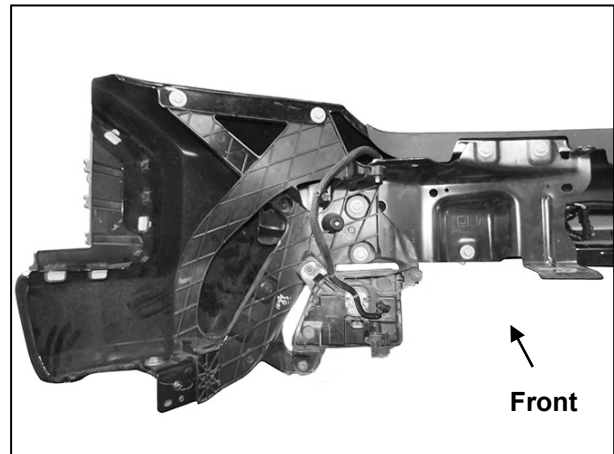
(Fig 10) Models without sensors, insert Plastic Plugs into sensor mounts on Bumper Hoop



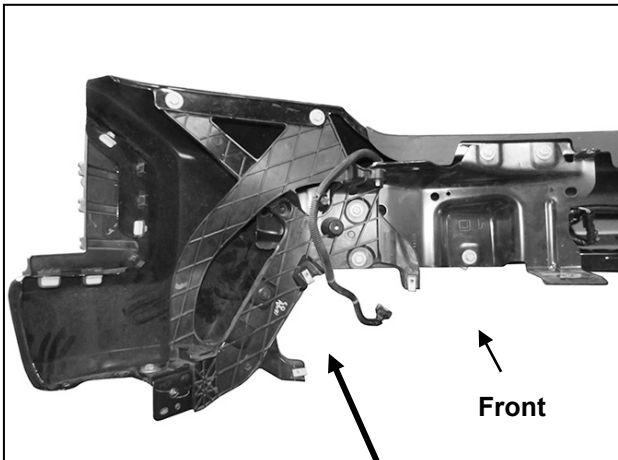
(Fig 11) Remove silicone seal from sensor. Slide large Seal over end of sensor (arrow)



(Fig 12) Push sensor plug into mounting sleeve

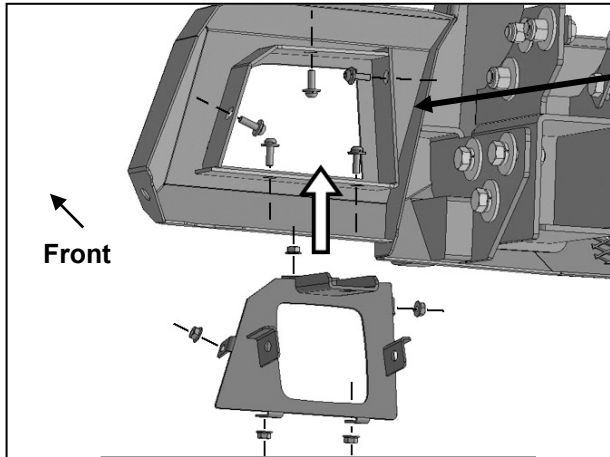


(Fig 13) Reassemble bumper without lower bumper insert. Back of driver/left side of model with fog light pictured



(Fig 14) Remove factory fog light if installing LED cube style lights or Mesh Fill Panels

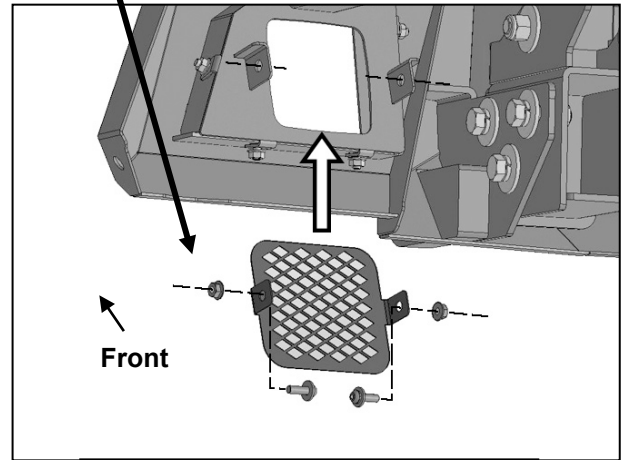
Driver/left Side Installation Pictured



(Fig 15) Install driver/left cube style light Bracket

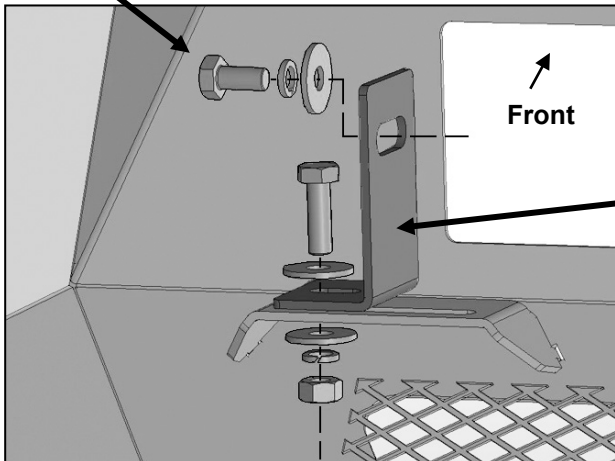
- (5) 6mm x 20mm Button Head Combo Bolts
- (5) 6mm Flange Nuts

- (2) 6mm x 20mm Button Head Combo Bolts
- (2) 6mm Flange Nuts



(Fig 16) Attach Fill Panel to Light Bracket if no light will be installed

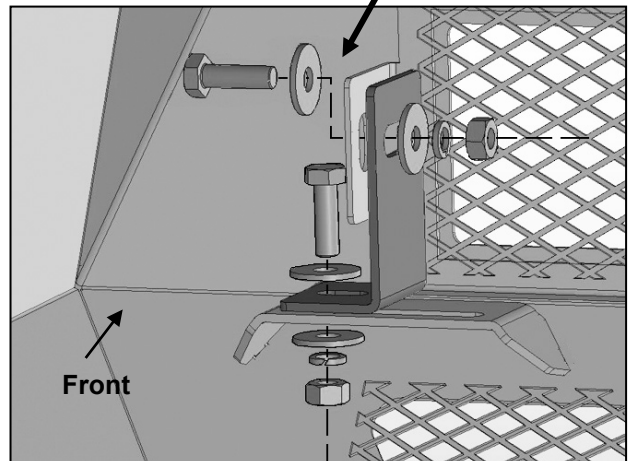
- 8mm x 16mm Hex Bolt
- 8mm Lock Washer
- 8mm STD Flat Washer



(Fig 17) Attach “L” Brackets if installing LED center light (not included) or Center Fill Panel

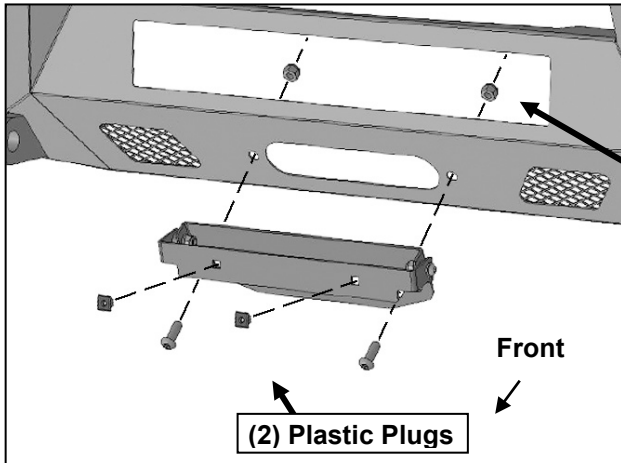
- 8mm x 25mm Hex Bolt
- (2) 8mm STD Flat Washers
- 8mm Lock Washer
- 8mm Hex Nut

- (2) 8mm x 25mm Hex Bolts
- (4) 8mm STD Flat Washers
- (2) 8mm Lock Washers
- (2) 8mm Hex Nuts



(Fig 18) Attach Center Fill Panel to “L” Brackets (Do not install Fill Panel with LED light)

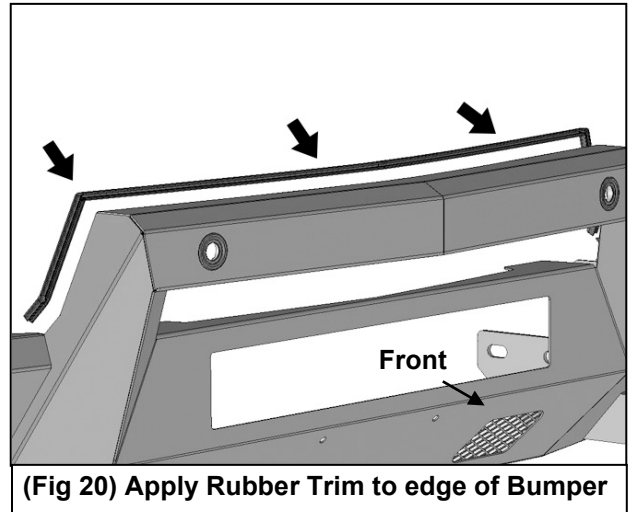
HD STUBBY WINCH FRONT BUMPER – SKU # S128991
2019-2021 CHEVY SILVERADO 1500 (EXCLUDES DIESEL, EXCLUDES “LD” MODELS)
Driver/left Side Installation Pictured



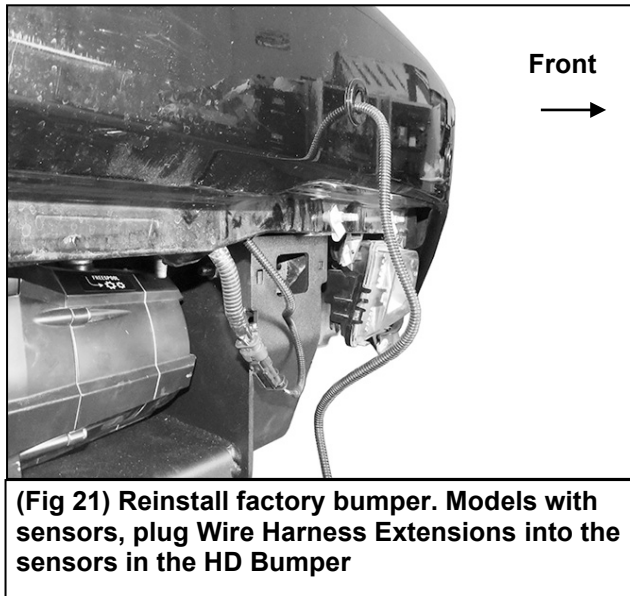
WARNING! Do not crawl under bumper unless it is properly supported on blocks or stands or the bumper may fall.

- (2) 10mm x 30mm Button Head Bolts
- (2) 10mm Nylon Lock Nuts

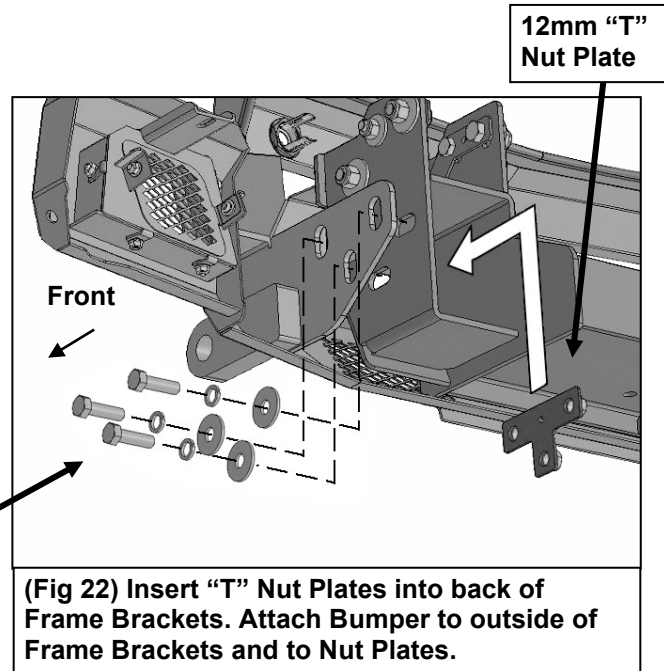
(Fig 19) Attach License Plate Bracket to Bumper



(Fig 20) Apply Rubber Trim to edge of Bumper

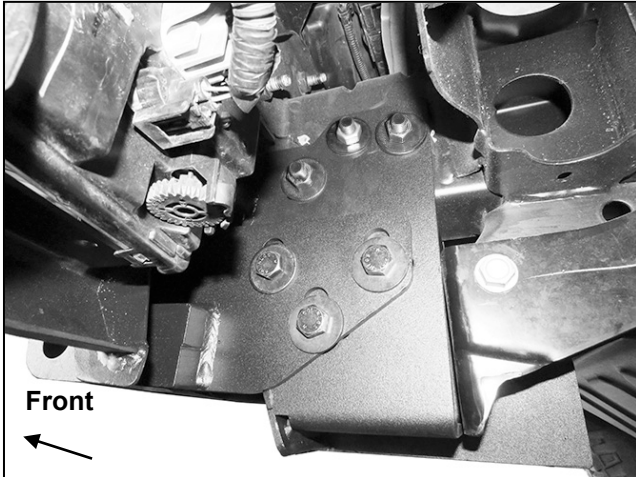


(Fig 21) Reinstall factory bumper. Models with sensors, plug Wire Harness Extensions into the sensors in the HD Bumper



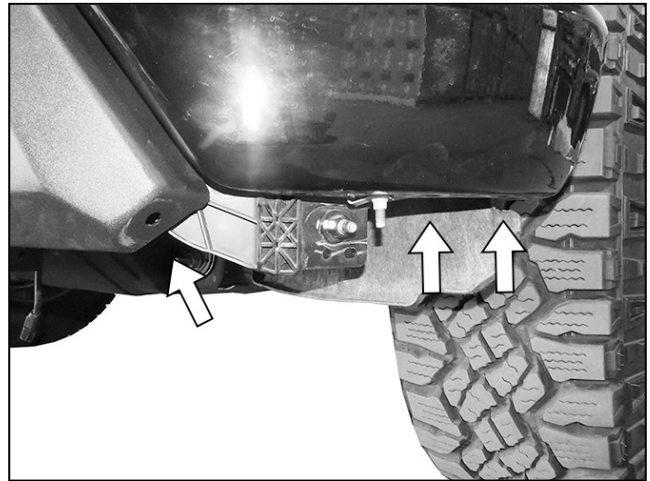
(Fig 22) Insert “T” Nut Plates into back of Frame Brackets. Attach Bumper to outside of Frame Brackets and to Nut Plates.

Driver/left Side Installation Pictured



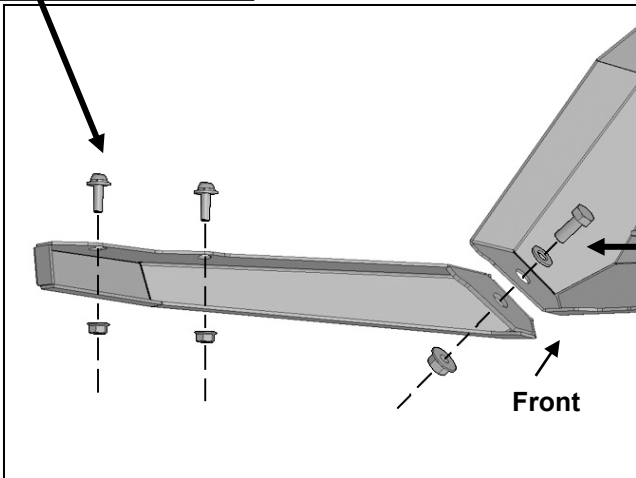
(Fig 23) Driver/left side of Bumper attached to Frame Bracket (Note OEM light installation)

WARNING! Do not crawl under bumper unless it is properly supported on blocks or stands or the bumper may fall.



(Fig 24) Attach driver/left Lower Bumper “Wing” to end of Bumper and bottom of factory bumper (arrows)

- (2) 6mm Combo Bolts
- (2) 6mm Flange Nuts



(Fig 25) Attach driver/left Lower Bumper “Wing” to end of Bumper and bottom of factory bumper. Installation illustrated from behind bumper

- 8mm x 20mm Hex Bolt
- 8mm x 16mm Small Flat Washer
- 8mm Flange Nut



Complete Installation
(Accessories not included)