



## **INSTALLATION INSTRUCTIONS**

**MD-1 FRONT BUMPER**

**2019-21 CHEVY SILVERADO 1500 (INCLUDES DIESEL and 22 "LTD",  
EXCLUDES "LD")**

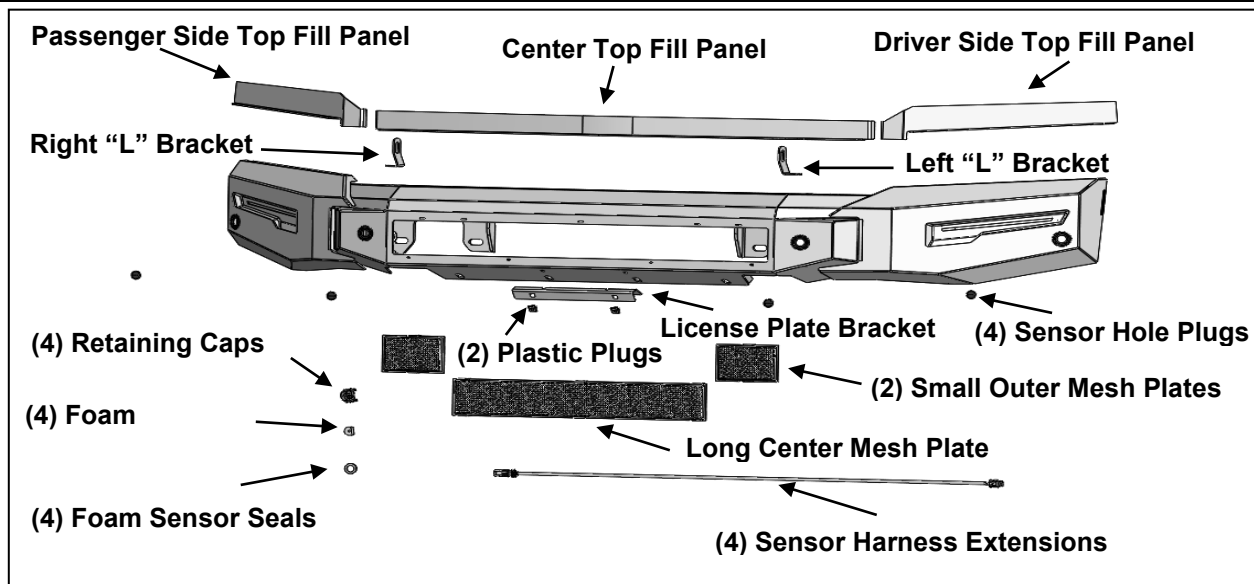
**S141900**

**MD-1 FRONT BUMPER**

**2019-21 CHEVY SILVERADO 1500 (INCLUDES DIESEL and 22 "LTD", EXCLUDES "LD")**

**PARTS LIST: S141900**

1	MD1 Front Bumper	4	10-1.5mm x 30mm Hex Bolts
1	Center Top Fill Panel	4	10mm Lock Washers
1	DS Top Fill Panel	4	10mm x 20mm x 2mm Flat Washers
1	PS Top Fill Panel	6	8mm x 24mm x 2mm Flat Washers
1	Long Center Mesh Plate	4	8mm Lock Washers
2	Small Outer Mesh Plates	2	8mm Hex Nuts
1	Driver/left "L" Bracket (center LED light)	2	8-1.25mm x 25mm Hex Bolts
1	Passenger/right "L" Bracket (center LED light)	2	8-1.25mm x 16mm Hex Bolts
1	License Plate Bracket	9	6-1.0mm x 20mm Button Head Bolts
2	Plastic Plugs for license plate mount	10	6-1.0mm x 20mm Combo Bolts
1	LED Wiring Harness Kit	9	6mm Nylon Lock Nuts
4	Sensor Retaining Cap	10	6mm Flange Nuts
4	20mm x 10mm Foam Spacer	18	6mm x 16mm x 1.6mm Flat Washers
4	15.5mm x 25mm x 2mm Foam Seals	1	4mm Allen Wrench
4	Sensor Hole Plugs	8	Flat Head Self Tapping Screw
4	Sensor Wiring Harness Extensions	10	Nylon Wire Ties



**PROCEDURE:**

**REMOVE CONTENTS FROM BOX. VERIFY ALL PARTS ARE PRESENT. READ INSTRUCTIONS CAREFULLY BEFORE STARTING INSTALLATION. ASSISTANCE IS RECOMMENDED TO AVOID POSSIBLE INJURY OR DAMAGE TO THE VEHICLE.**

1. Open the hood and remove the plastic cover from the top of the grille and radiator, **(Figure 1)**. Models with grille mounted camera, unplug camera. Next, remove the screws attaching the grille to the radiator core support. Once all hardware has been removed, firmly pull the grille straight out from the vehicle to release the grille from the clips, **(Figure 2)**. Place grille on a clean, soft surface.
2. Remove the license plate and bracket. On diesel models, unplug the harness leading to the block heater plug in the bumper. On models with factory fog lights and/or bumper sensors, unplug the wiring harness leading to the bumper, **(Figure 3)**. **NOTE:** Wiring harness connector is located up and behind the passenger/right side of the bumper. Release clips attaching passenger/right fender liner to access plug for main wiring harness. Move harness away from bumper.
3. From behind the driver/left side of the bumper, remove the outer bumper support connected to the side of the frame and the outer end of the bumper, **(Figure 4)**.
4. Locate and remove the hex bolts attaching the bottom of the bumper to the bumper bracket attached to the end of the frame, **(Figure 4)**.

**2019-21 CHEVY SILVERADO 1500 (INCLUDES DIESEL and 22 "LTD", EXCLUDES "LD")**

5. Repeat **Steps 3 & 4** to remove the passenger/right bumper support and lower bumper hardware.
6. Move back to the top of the bumper. Pull back the end of the rubber cover between the bumper and the bottom of the radiator to expose the bolts attaching the top of the bumper bracket to the frame bracket, **(Figure 5)**.
7. Place blocks or jack stands under the front bumper to support it during mounting bolt removal. Once the bumper has been safely supported, remove the bumper bolts attaching the bumper assembly to the top of the bumper bracket, **(Figure 5)**. **WARNING!** Assistance is required to hold the bumper in place during bolt removal to prevent the bumper from falling. Carefully slide the bumper assembly with brackets off of the ends of the frame.
8. Remove both bumper brackets from the end of the frame, **(Figure 6)**.
9. Reinstall the plastic grille, camera if equipped and cover removed in **Step 1, (Figure 7)**.
10. Carefully unwrap the Bumper assembly. Pull outward to unfold the passenger/right outer wing until fully extended, **(Figure 8)**. Anchor the Wing to the back of the Bumper with the included (2) 10mmx 30mm Hex Bolts, (2) 10mm Lock Washers and (2) 10mm x 20mm Small Flat Washers, **(Figure 9)**. Leave hardware loose at this time. Repeat this Step to unfold and attach the driver/left Wing to the Bumper. **IMPORTANT:** There is a small amount of adjustment in the Wings that can increase or decrease the final width of the Bumper. Loosen the (2) pivot bolts and the (2) anchor bolts and pull each Wing outward as far as possible to start, **(Figure 10)**. Snug hardware but do not fully tighten.
11. Select the Top Center, Driver Side, and Passenger Side Fill Panels, **(Figure 11)**. Attach the Fill Panels to the inside, top of the Bumper with the included (7) 6mm x 20mm Button Head Bolts, (14) 6mm Flat Washers and (7) 6mm Nylon Lock Nuts.
12. Determine if the vehicle is equipped front sensors:

**Models without bumper sensors:**

- a. Select the included (4) Plastic Plugs.
- b. From the front, push the plugs into the sensor mounting holes, **(Figure 12)**.

**Models with bumper mounted sensors:**

- a. Disassemble front bumper to unplug and remove sensors, heater plug if equipped and wiring harness from bumper.
  - b. Select (1) sensor. Remove the silicone seal from the end of the sensor. Slide the included larger Foam Sensor Seal over front of sensor, **(Figure 13)**.
  - c. Insert sensor with Seal into sensor mount, **(Figure 14)**.
  - d. Place Foam Spacer over end of sensor. Push Sensor Retaining Cap onto sensor mount and lock into mounting holes, **(Figure 14)**.
  - e. Repeat previous Steps to install remaining sensors.
  - f. Install wiring harness for sensors. **NOTE:** it may be necessary to remove some of the protective wrap around the harness to reach all sensor mounts.
  - g. **Optional:** Secure each sensor to the socket with (2) 4mm Self Tapping Screws. **IMPORTANT:** Sensors fit snug in sockets. The 4mm Screws are used to apply slight pressure to lock the sensors in place. Tighten both screws evenly until they touch the sensor body only. Do not overtighten screws or damage to sensors will result.
13. If front license plate is required, attach the License Plate Bracket to the holes in the bumper with the included (2) 6mm x 20mm Button Head Screws, (4) 6mm Flat Washers and (2) 6mm Nylon Lock Nuts. Insert (2) Plastic Plugs into the square holes in the Bracket. Reuse the factory screws to attach the license plate to the Plastic Plugs, **(Figure 15)**.

14. Determine if accessory lights, (not included), or Screen Fill Panels will be installed at this time.

**Screen Fill Panel Installation (do not install fill panels if installing lights).**

- a. Select desired long center or small outer Screen Fill Panels, **(Figure 16)**.
- b. Attach Screen Fill Panels as needed with the included 6mm Button Head Combo Bolts and 6mm Flange Nuts, **(Figure 16)**. Fully tighten Fill Panel hardware at this time. Repeat to install all Panels as desired.

**Inner center LED bar style light installation (light not included).**

- a. Select the passenger/right "L" Light Bar Bracket, **(Figure 17)**. **NOTE:** "L" Brackets are offset to adjust for different widths of LED Bar Lights and can be installed on either side as needed.

## MD-1 FRONT BUMPER

### 2019-21 CHEVY SILVERADO 1500 (INCLUDES DIESEL and 22 "LTD", EXCLUDES "LD")

- b. Attach the "L" Bracket to the slot on the back of the Bumper with (1) 8mm x 25mm Hex Bolt, (2) 8mm Flat Washers, (1) 8mm Lock Washer and (1) 8mm Hex Nut, **(Figure 17)**. Repeat this Step to install the remaining "L" Bracket on the other side of the Bumper. **IMPORTANT:** The Bumper features slots designed for most 20" and 30" bar style lights. Attach the Brackets to the correct slots in the Bumper. If necessary, hold the light up to the slots to determine correct slots to use.
  - c. Attach the light to the "L" Brackets with the hardware included with the light or the supplied (2) 8mm x 16mm Hex Bolts, (2) 8mm Lock Washers and (2) 8mm Flat Washers, **(Figure 17)**. Do not fully tighten hardware at this time.
15. **Models equipped with diesel option only**, refer to instructions packaged with Relocation Kit to install lower shutter relocation kit.
  16. With assistance, position the Bumper Assembly up to the frame. Temporarily support the weight of the Bumper. **WARNING:** To avoid possible injury or damage to the vehicle, do not proceed until the Bumper is fully and safely supported.
  17. Line up the (3) slots in the driver/left side mounting plate on the back of the Bumper with the (3) mounting holes in the end of the frame. Reuse (3) factory hex bolts to attach the Bumper to the frame, **(Figures 18 & 19)**. Repeat this **Step** to attach the passenger/right side of the Bumper.
  18. Level and adjust the bumper and fully tighten all hardware. **Diesel models only**, install skid plate supplied with shutter Relocation Kit, (available separately).
  19. Do periodic inspections to the installation to make sure that all hardware is secure and tight.

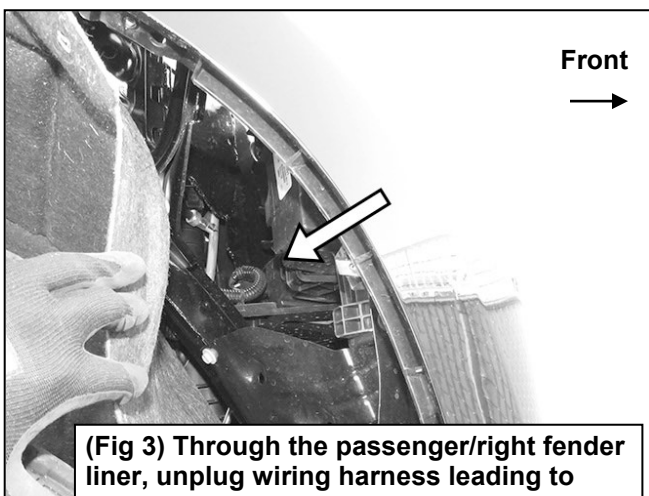
**To protect your investment,** Do not use any type of polish or wax that may contain abrasives that could damage the finish. Mild soap may be used to clean the Front Bumper assembly.



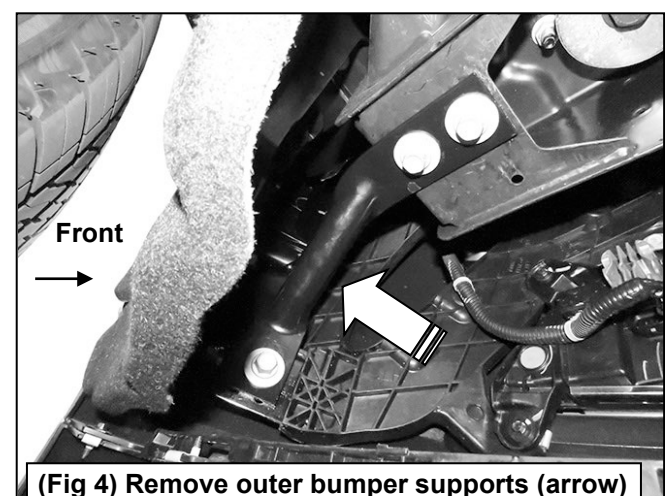
**(Fig 1) Remove cover and screws attaching grille**



**(Fig 2) Firmly pull grille straight out from vehicle**



**(Fig 3) Through the passenger/right fender liner, unplug wiring harness leading to front bumper (arrow)**



**(Fig 4) Remove outer bumper supports (arrow)**

**MD-1 FRONT BUMPER**  
**2019-21 CHEVY SILVERADO 1500 (INCLUDES DIESEL and 22 "LTD", EXCLUDES "LD")**



**(Fig 5) Pull back cover to locate top bumper bolts**

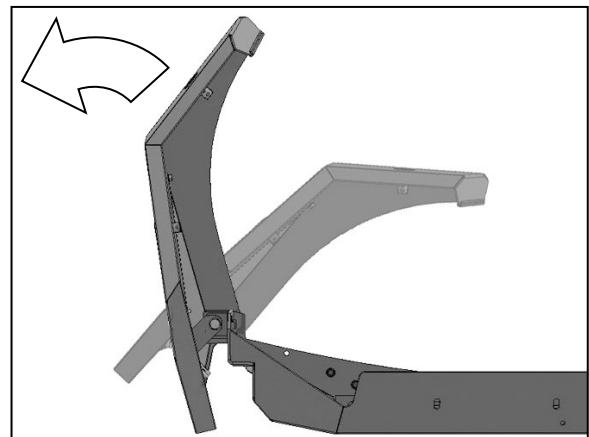
**WARNING!** Do not crawl under bumper unless the bumper is properly supported on blocks or stands or the bumper may fall.



**(Fig 6) Remove factory bumper brackets and tow hooks if equipped**

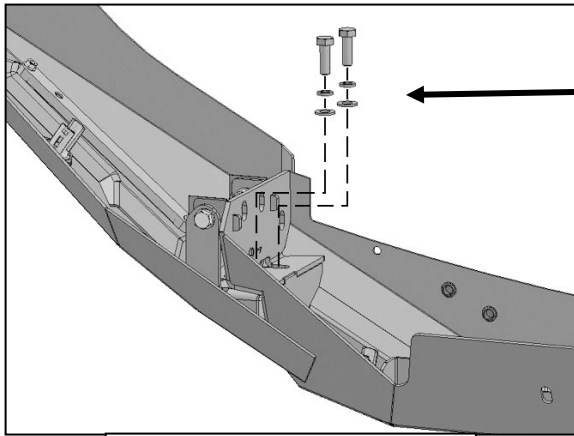


**(Fig 7) Reinstall grille and cover**



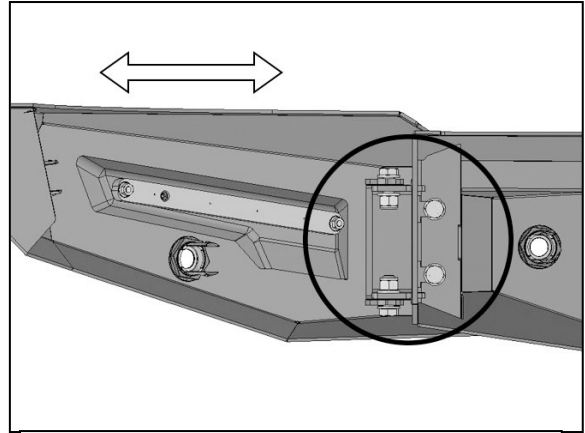
**(Fig 8) Unfold outer Wings from center Bumper.**

**MD-1 FRONT BUMPER**  
**2019-21 CHEVY SILVERADO 1500 (INCLUDES DIESEL and 22 "LTD", EXCLUDES "LD")**

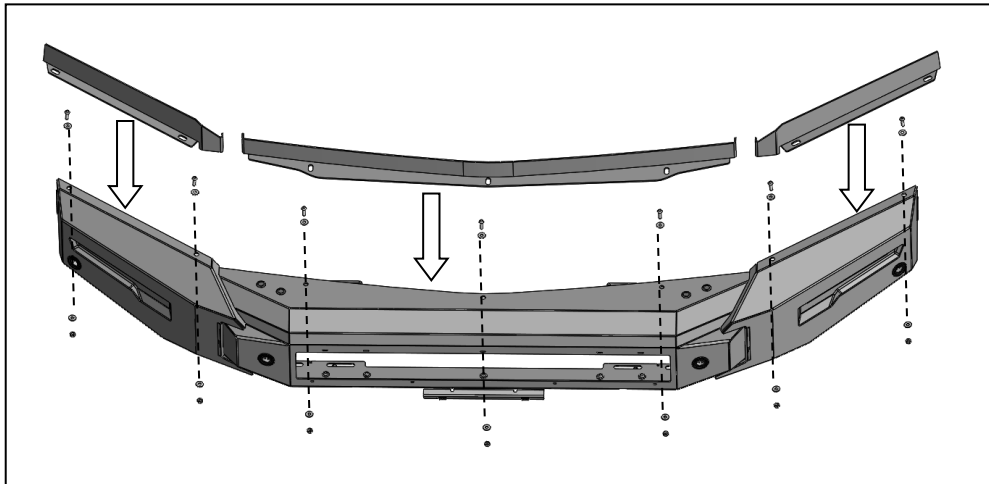


**(Fig 9) Anchor outer Wings to back of center Bumper**

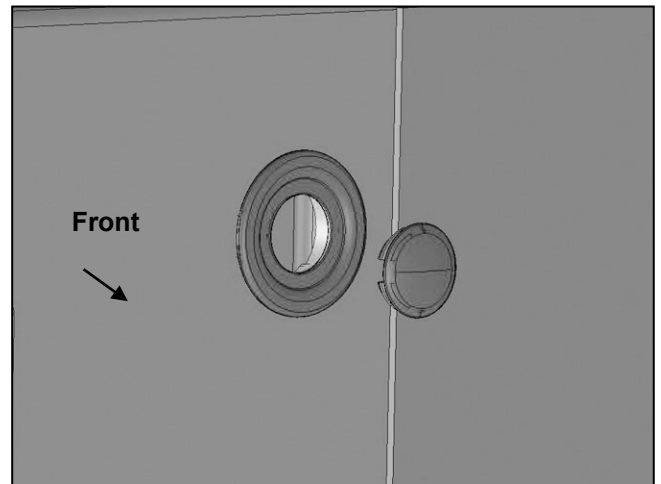
- (2) 10mm x 30mm Hex Bolts
- (2) 10mm Lock Washers
- (2) 10mm x 20mm Small Flat Washers



**(Fig 10) Loosen hardware and pull Wing outward to widen overall Bumper**

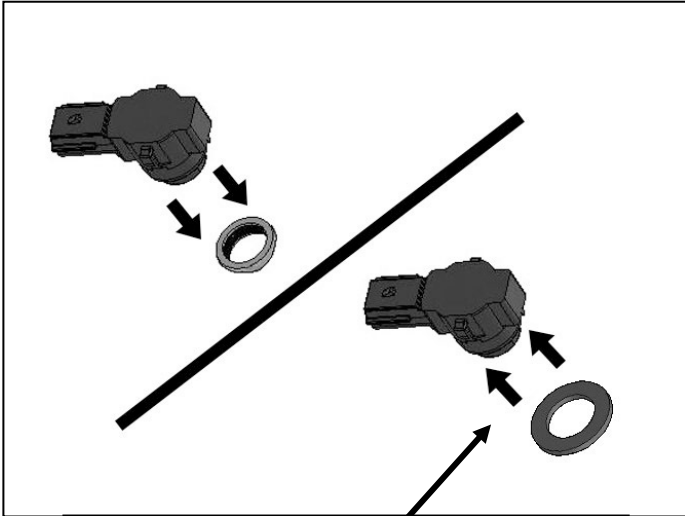


**(Fig 11) Attach Top and Side Fill Panels to inside/top of Bumper**

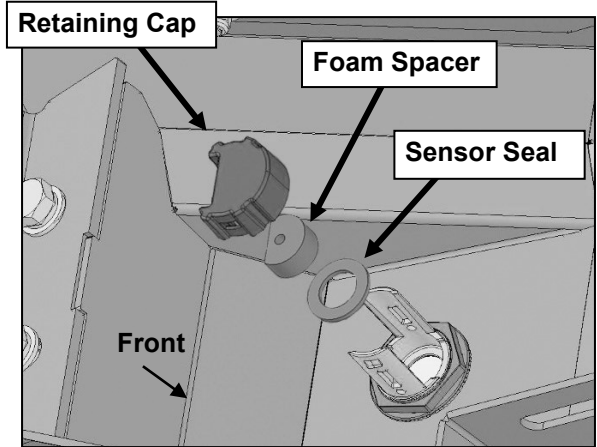


**(Fig 12) Push Plastic Plug into sensor mount**

**MD-1 FRONT BUMPER**  
**2019-21 CHEVY SILVERADO 1500 (INCLUDES DIESEL and 22 "LTD", EXCLUDES "LD")**

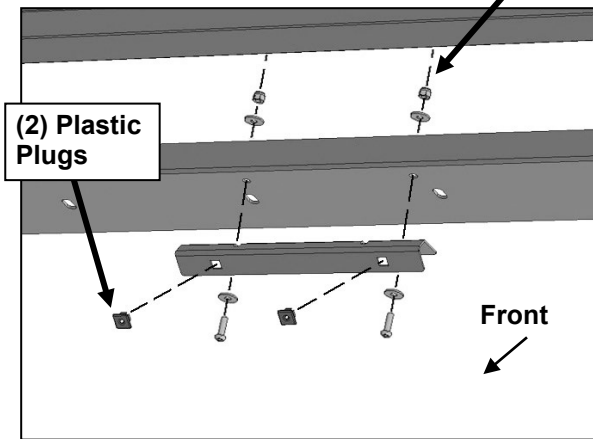


**(Fig 13) Remove silicone seal from sensor. Slide large Seal over end of sensor (arrow)**

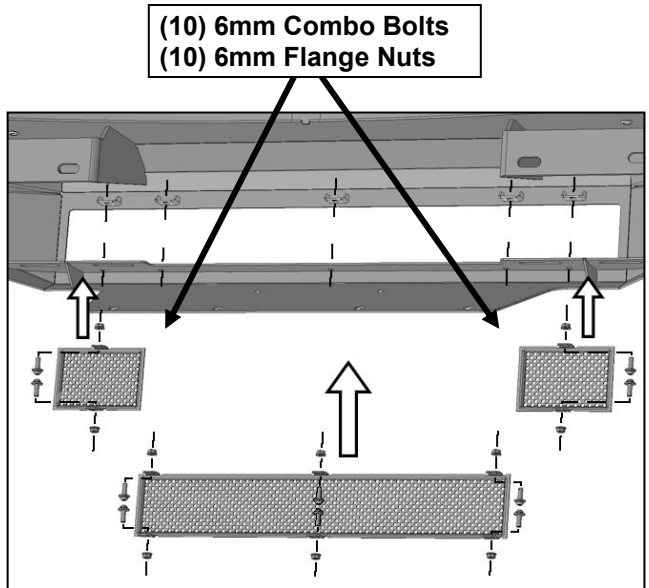


**(Fig 14) Insert sensor assembly into the sensor mount on back of Bumper**

- (2) 6mm x 20mm Button Head Screws
- (4) 6mm Flat Washers
- (2) 6mm Nylon Lock Nuts



**(Fig 15) Attach License Plate Bracket to Bumper**



**(Fig 16) Attach Inner and Center Mesh Plates to tabs on the back of the bumper as desired**

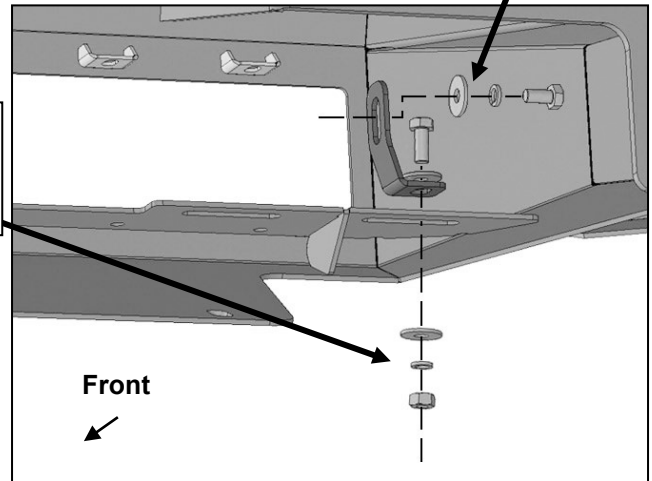
**MD-1 FRONT BUMPER**  
**2019-21 CHEVY SILVERADO 1500 (INCLUDES DIESEL and 22 "LTD", EXCLUDES "LD")**

**WARNING!** Do not crawl under bumper unless it is properly supported on blocks or stands or the bumper may fall.

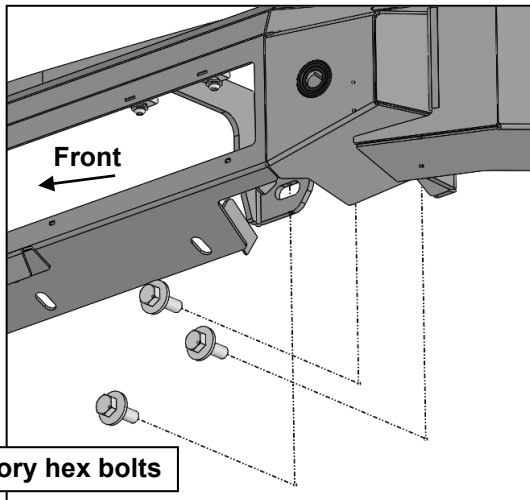
8mm x 16mm Hex Bolts  
 8mm Lock Washers  
 8mm Flat Washers

**NOTE:** Mount the "L" Bracket to the proper slot for the size of led light

8mm x 25mm Hex Bolts  
 (2) 8mm Flat Washers  
 8mm Lock Washers  
 8mm Hex Nuts

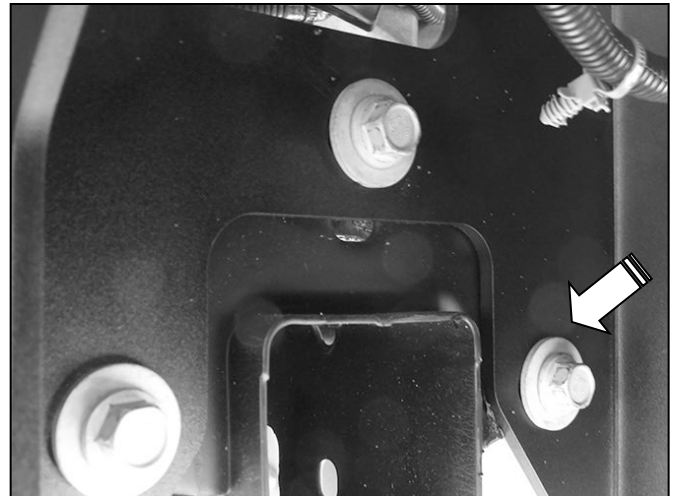


**(Fig 17)** Passenger/right side "L" Bracket attached to the back of the bumper



Factory hex bolts

**(Fig 18)** Reuse factory hex bolts to attach Bumper to end of frame



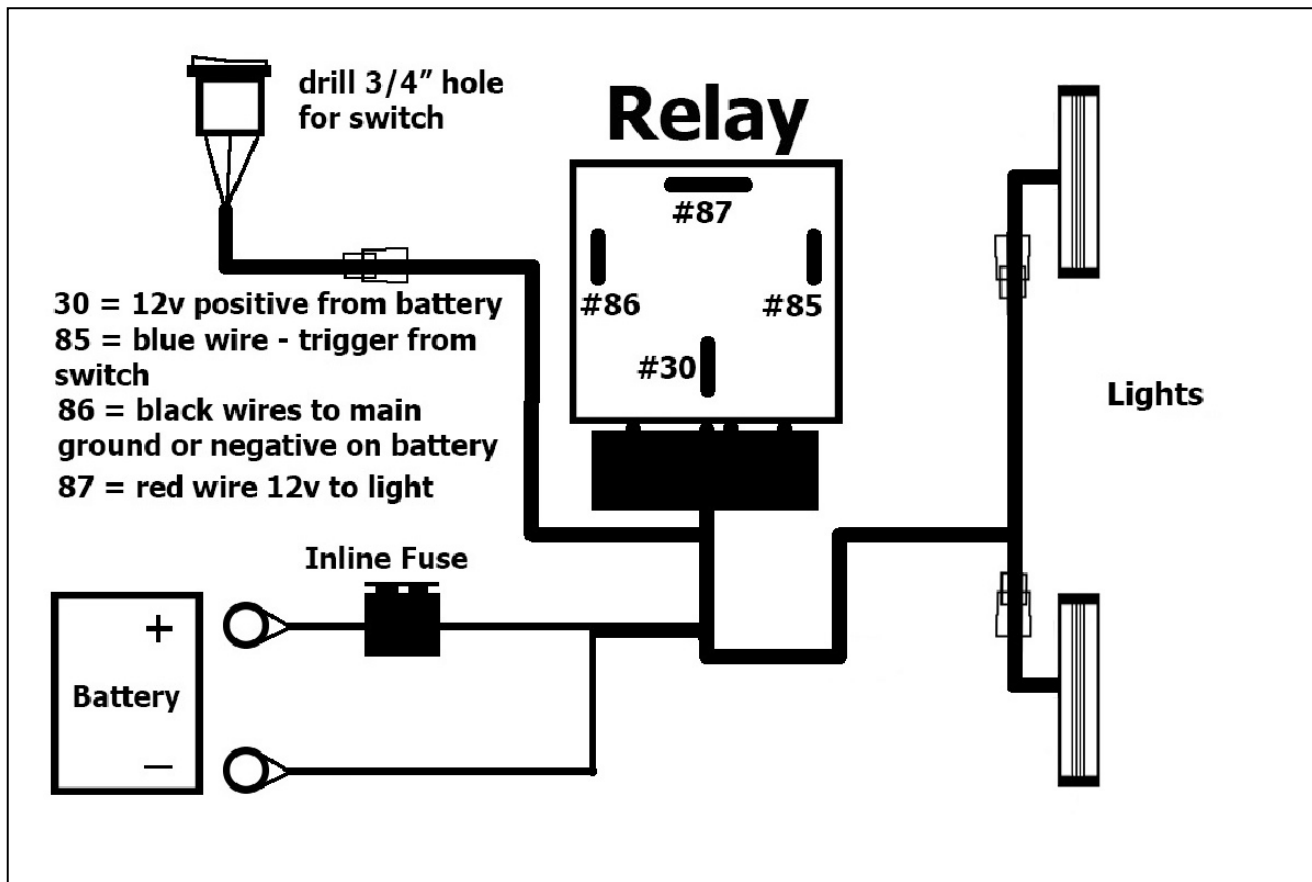
**(Fig 19)** Reuse factory hex bolts to attach Bumper to end of frame. **NOTE:** Models equipped with diesel engine, attach block heater Plug Relocation Bracket to driver/left outer bolt (arrow)



**Complete Bumper installation pictured with Light Bar Hoop and light (not included)**



MD-1 FRONT BUMPER  
2019-21 CHEVY SILVERADO 1500 (INCLUDES DIESEL and 22 "LTD", EXCLUDES "LD")



**GENERAL LIGHT WIRING PROCEDURE:**

1. REMOVE CONTENTS FROM BOX. VERIFY ALL PARTS ARE PRESENT. READ INSTRUCTIONS CAREFULLY. DRILLING IS REQUIRED. ELECTRICAL KNOWLEDGE IS HIGHLY RECOMMENDED.
2. Open hood and disconnect battery.
3. Unwrap preassembled wiring harness. Disconnect the plug in the harness leading to the lighted switch. Locate suitable mounting location for switch. Drill 3/4" hole in panel to mount switch. **IMPORTANT:** Do not drill any holes in panel until back of location is properly checked for clearance. Use of safety goggles is required.
4. Run switch harness through firewall on vehicle. Drill hole through firewall as required for harness plug. Highly recommend use of rubber grommet (not included) to protect harness. Feed switch harness plug through hole in firewall. Seal firewall with silicone as necessary.
5. Attach Relay and main harness to suitable location near battery (firewall or inner fender for example). Do not connect to battery at this time.
6. Attach switch plug to switch harness and tie harness away from anything that could damage harness.
7. Run the prewired light harness down to each light. Plug harness into prewired plug on each light. Tie wiring harness away from anything that could damage harness.
8. Attach the fused red positive and black negative wires on the main harness to the battery. **NOTE:** Attach black negative wire to negative terminal on battery or suitable chassis ground.
9. Reattach battery cables to battery. Installation is complete.
10. Do periodic inspections to the installation to make sure that all hardware is secure and tight and all wiring harnesses are properly secured and free from excessive movement.