

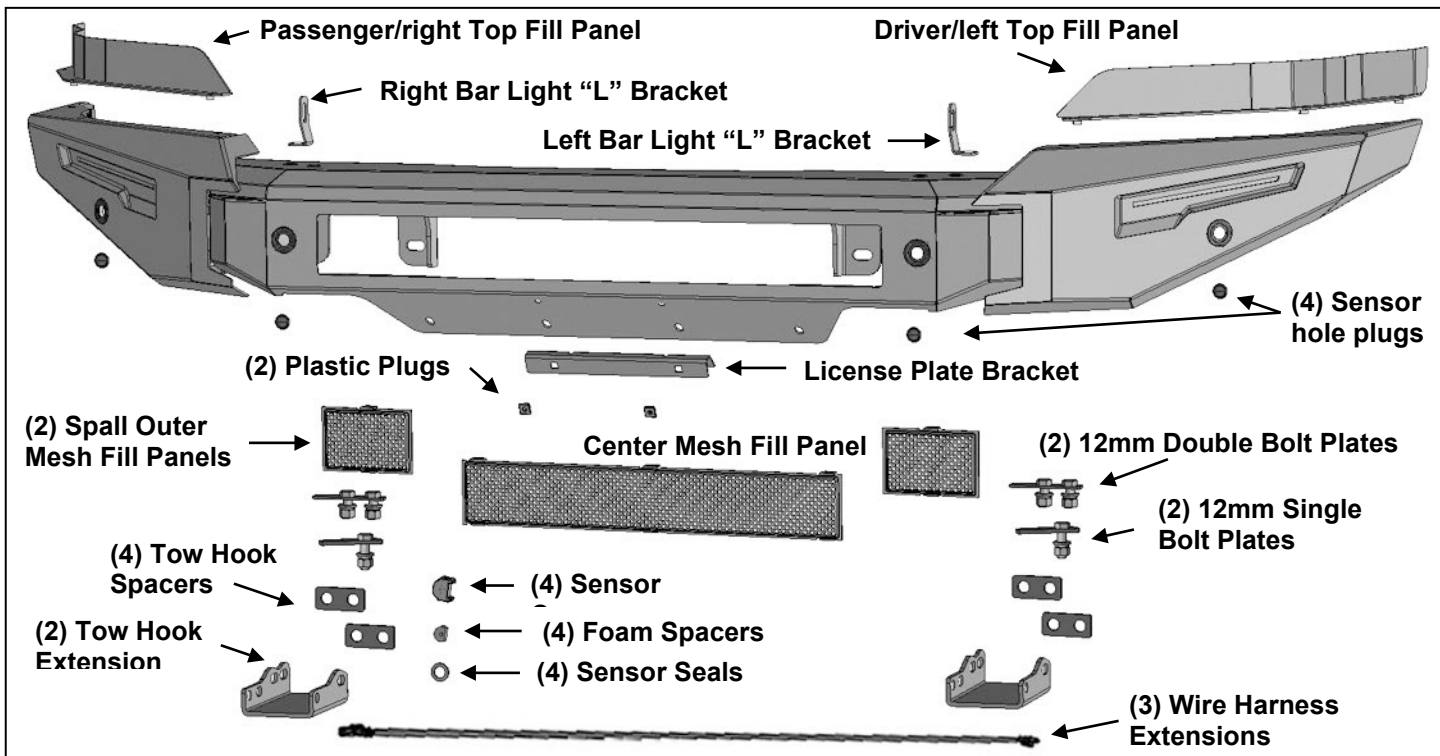


INSTALLATION INSTRUCTIONS

**MD1 FRONT BUMPER
2016-18 CHEVY SILVERADO 1500
(INCL. 2019 SILVERADO 1500 LD)**

PARTS LIST: S143369

1	MD1 Front Bumper Assembly	10	12mm x 24mm x 2.5mm Flat Washers
1	Driver/left Top Fill Panel	6	12mm Lock Washers
1	Passenger/right Top Fill Panel	2	12mm Nylon Lock Nuts
2	Tow Hook Extension Brackets	6	12mm Hex Nuts
4	Spacers (tow hooks)	4	10-1.5mm x 30mm Hex Bolts
1	Driver/left "L" Bracket (center LED light)	4	10mm x 20mm x 2mm Flat Washers
1	Passenger/right "L" Bracket (center LED light)	4	10mm Lock Washers
2	Small Outer Mesh Plates	2	8mm x 25mm Hex Bolts
1	Long Center Mesh Plate	2	8mm x 16mm Hex Bolts
4	Sensor Plugs	6	8mm x 24mm x 2mm Flat Washers
4	Sensor Retaining Caps	4	8mm Lock Washers
4	20mm x 10mm Foam Pads	2	8mm Hex Nuts
4	15.5mm x 25mm x 2mm Sensor Seals	16	6mm x 20mm Button Head Combo Bolts
3	GM Wire Harness Extension	2	6mm x 20mm Button Head Bolts
1	LED Wiring Harness Kit	4	6mm x 18mm x 1.6 Flat Washers
1	License Plate Bracket	10	6mm Flange Nuts
2	Plastic Plugs for License Plate	2	6mm Nylon Lock Nuts
2	12-1.75mm x 130mm Hex Bolts	10	Nylon Wire Ties
2	12mm x 30mm Double Bolt Plates	8	4mm Self Tapping Screws
2	12mm x 40mm Single Bolt Plates	1	4mm Allen Wrench



PROCEDURE:

REMOVE CONTENTS FROM BOX. VERIFY ALL PARTS ARE PRESENT. READ INSTRUCTIONS CAREFULLY BEFORE STARTING INSTALLATION. ASSISTANCE IS HIGHLY RECOMMENDED TO AVOID POSSIBLE INJURY OR DAMAGE TO THE VEHICLE.

1. Remove the license plate and bracket. On models with factory fog lights and/or bumper sensors, unplug the wiring harness leading to the bumper. Move harness away from bumper.

2. Next, open the hood and remove the plastic cover between the top of the radiator and the grille, **(Figure 1)**. Next, carefully remove the grille from the vehicle. **NOTE:** Grille is held in place with screws at the top and several clips, **(Figure 1)**. Remove the screws and firmly pull the grille straight out from the vehicle to release the grille from the clips, **(Figures 2 & 3)**.
3. From behind the bumper, remove the outer bumper supports on each end of the bumper, **(Figure 4)**.
4. Place blocks or jack stands under the front bumper to support it during mounting bolt removal. Once the bumper has been safely supported, remove the bumper bolts attaching the bumper assembly to the frame bracket bolted to the end of the frame, **(Figure 5)**. **WARNING!** Assistance is required to hold the bumper in place during bolt removal to prevent the bumper from falling. Carefully slide the bumper assembly off of the ends of the frame.
5. Once bumper has been removed, reinstall the plastic grille and cover removed in **Step 2**.
6. Remove both bumper brackets and tow hooks, (if equipped), from the end of the frame, **(Figure 6)**.

Models without tow hooks, skip ahead to Step 7.

Models with tow hooks:

- a. Models with tow hooks, select (1) Single Bolt Plate and (1) Double Bolt Plate, **(Figure 7)**. Select (1) Tow Hook Extension Bracket, **(Figure 8)**. Slide the Bracket over the end of the frame. Line up the slots in the Bracket with the factory tow hook mounting holes. Insert the Bolt Plates into the open end of the frame and out through the holes in the side and Bracket. Secure the Bracket to the Bolt Plates with (3) 12mm Flat Washers, (3) 12mm Lock Washers and (3) 12mm Hex Nuts, **(Figures 8 & 9)**. Do not fully tighten at this time.
 - b. Select (1) tow hook. Place the tow hook on top of the Extension Bracket. Slide (1) Spacer Plate between each side of the tow hook and the Bracket. Reuse the short factory hex bolt to attach the side of the tow hook to the Extension Bracket, **(Figures 8 & 9)**. Insert (1) 12mm x 130mm Hex Bolt, (2) 12mm Flat Washers and (1) 12mm Nylon Lock Nut through the Bracket, Spacers and forward end of tow hook. Fully tighten tow hook and Extension Bracket hardware only. Do not tighten Frame Bracket hardware at this time.
 - c. Repeat **Steps** to install the remaining Extension Bracket and tow hook.
7. Carefully unwrap the Bumper assembly. Pull outward to unfold the passenger/right outer wing until fully extended, **(Figure 10)**. Anchor the Wing to the back of the Bumper with the included (2) 10mm x 30mm Hex Bolts, (2) 10mm Lock Washers and (2) 10mm x 20mm Small Flat Washers, **(Figure 11)**. Leave hardware loose at this time. Repeat this **Step** to unfold and attach the remaining Wing to the Bumper. **IMPORTANT:** There is a small amount of adjustment in the Wings that can increase or decrease the final width of the Bumper. Loosen the (2) pivot bolts and the (2) anchor bolts and pull each Wing outward as far as possible to start, **(Figure 12)**. Snug but do not fully tighten at this time.
 8. Select the passenger/right Top Fill Panel. Attach the Fill Panel to the underside of the top of the Bumper with the included (3) 6mm Button Head Combo Bolts, **(Figures 13 & 14)**. Repeat this **Step** to attach the driver/left Top Fill Panel.
 9. Determine if accessory lights, (not included), or Screen Fill Panels will be installed at this time. **NOTE:** It may be easier to install Center Fill Panels and/or lights before installing Bumper.

Screen Fill Panel Installation (do not install fill panels if installing lights).

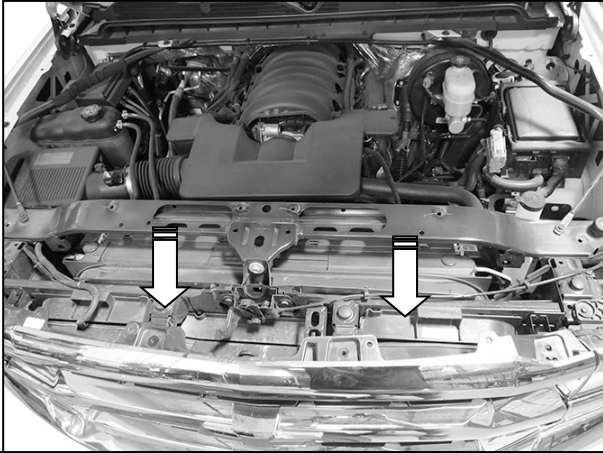
- a. Select desired long center or small outer Screen Fill Panels, **(Figure 15)**.
- b. Attach Screen Fill Panels as needed with the included 6mm Button Head Combo Bolts and 6mm Flange Nuts, **(Figure 15)**. Fully tighten Fill Panel hardware at this time. Repeat to install all Panels as desired.

Inner center LED bar style light installation (light not included).

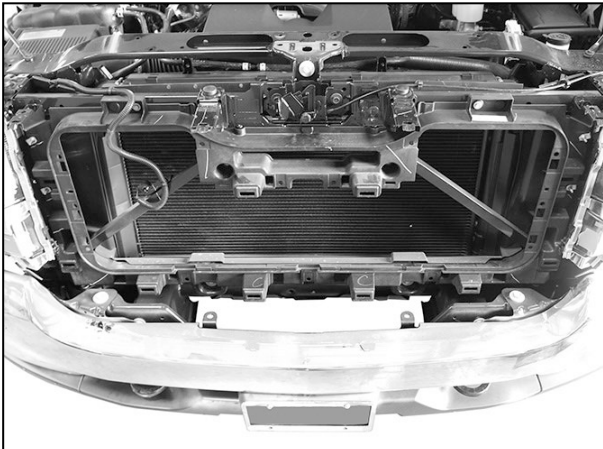
- a. Select the passenger/right "L" Light Bar Bracket, **(Figure 16)**. **NOTE:** "L" Brackets are offset to adjust for different widths of LED Bar Lights and can be installed on either side as needed.
- b. Attach the "L" Bracket to the slot on the back of the Bumper with (1) 8mm x 25mm Hex Bolt, (2) 8mm Flat Washers, (1) 8mm Lock Washer and (1) 8mm Hex Nut, **(Figure 16)**. Repeat this **Step** to install the remaining "L" Bracket on the other side of the Bumper. **IMPORTANT:** The Bumper features slots designed for most 20" and 30" bar style lights. Attach the Brackets to the correct slots in the Bumper. If necessary, hold the light up to the slots to help determine correct slots.

- c. Attach the light to the “L” Brackets with the hardware included with the light or the supplied (2) 8mm x 16mm Hex Bolts, (2) 8mm Lock Washers and (2) 8mm Flat Washers, **(Figure 16)**. Do not fully tighten hardware at this time.
10. Determine if vehicle is equipped with parking sensors. **NOTE:** Sensors must be installed in Bumper before installing Bumper Assembly.
Models without bumper sensors:
 - a. From the front of the bumper, push the included Plastic Plugs into sensor mounting holes, **(Figure 17)**.**Models with bumper mounted sensors:**
 - a. Remove the sensors and wiring harness from the factory bumper.
 - b. Remove the factory sealing washer from the sensor. Attach the provided Foam Sealing Washer to the front of the sensor, **(Figure 18)**.
 - c. Push the sensor in from the back of the Bumper until it is flush with the outer Bumper. Place (1) Foam Spacer over the end of the sensor. Push the Retaining Cap onto the sensor mount and snap into place, **(Figure 19)**.
 - d. Repeat the previous **Steps** for the remaining sensors.
 - e. Attach factory wiring harness to Bumper and plug into sensors. **IMPORTANT:** (3) Harness Extensions have been included to extend the ends of the factory harness to the sensors. Use as necessary.
11. With assistance, position the Bumper Assembly up to the frame. Temporarily support the weight of the Bumper. **WARNING:** To avoid possible injury or damage to the vehicle, do not proceed until the Bumper is fully and safely supported.
12. Line up the (3) holes in the driver/left side mounting plate on the back of the Bumper with the end of the frame. Reuse the factory hex bolts to attach the Bumper to the frame, **(Figure 20)**. Do not fully tighten hardware at this time. Repeat this **Step** to attach the passenger/right side of the Bumper.
13. Level and adjust the Bumper and fully tighten all hardware.
14. Plug the Bumper wiring harness into the main vehicle harness.
15. Level and adjust the Bumper and fully tighten all hardware. **IMPORTANT:** Adjust wings on Bumper as needed and fully tighten all wing pivot and mounting hardware. If necessary, temporarily remove Bumper to fully tighten inner 10mm anchor hardware.
16. Attach the License Plate Bracket to the holes in the bumper with the included (2) 6mm x 20mm Button Head Bolts, (4) 6mm Flat Washers and (2) 6mm Nylon Lock Nuts. Insert (2) Plastic Plugs into the square holes in the Bracket. Reuse the factory screws to attach the license plate to the plastic plugs, **(Figure 21)**.
17. Do periodic inspections to the installation to make sure that all hardware is secure and tight.

To protect your investment, Do not use any type of polish or wax that may contain abrasives that could damage the finish. Mild soap may be used to clean the Front Bumper assembly.



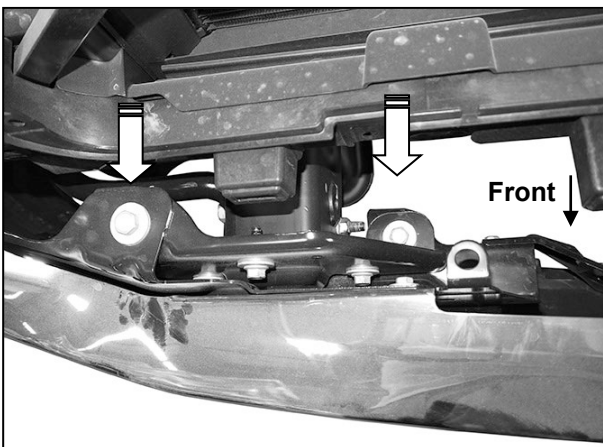
(Fig 1) Remove cover between radiator and grille. Remove screws attaching top of grille (arrows)



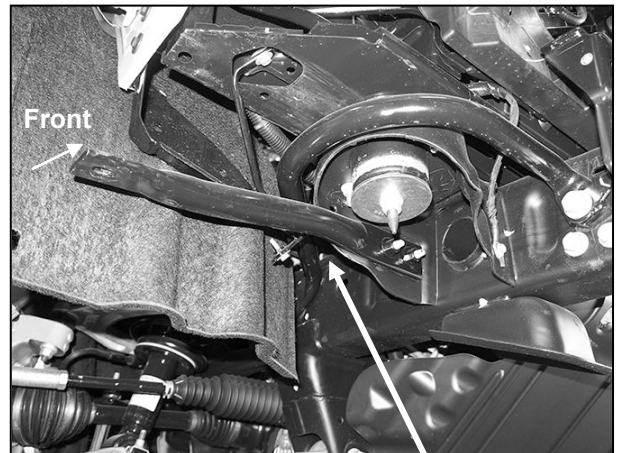
(Fig 3) Grille removed to access top bumper bolts



(Fig 2) Firmly pull grille straight out from vehicle



(Fig 5) Remove bumper bolts attaching bumper to brackets- passenger side pictured from above



(Fig 4) Remove outer bumper support brackets



(Fig 6) Remove factory bumper brackets and tow hooks if equipped (passenger/right side pictured)

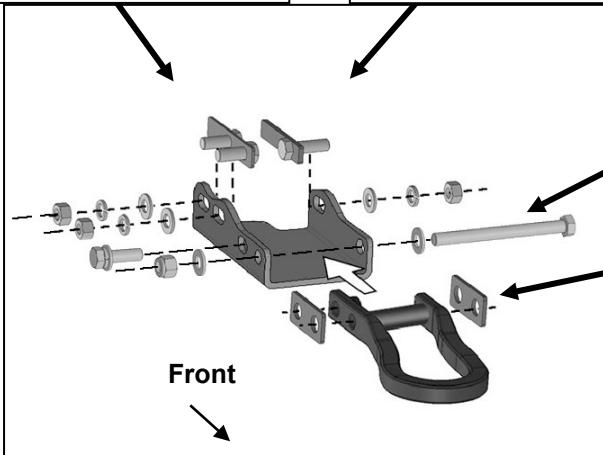
WARNING! Do not crawl under bumper unless it is properly supported on blocks or stands or the bumper may fall.



(Fig 7) 12mm Single Bolt Plate and 12mm Double Bolt Plate

Double Bolt Plate
(2) 12mm Flat Washers
(2) 12mm Lock Washers
(2) 12mm Hex Nuts

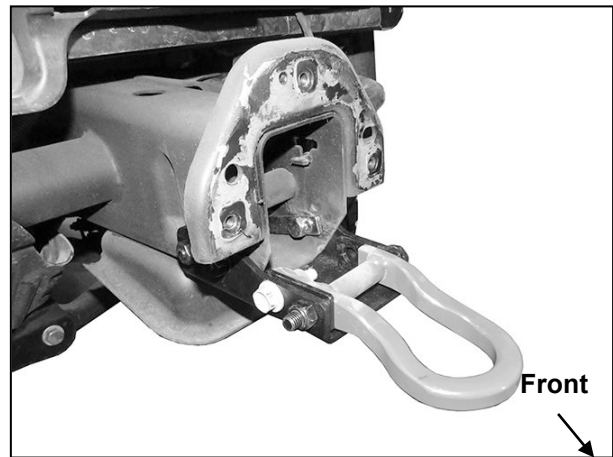
Single Bolt Plate
12mm Flat Washer
12mm Lock Washer
12mm Hex Nut



12mm x 130mm Hex Bolt
(2) 12mm Flat Washers
12mm Nylon Lock Nut

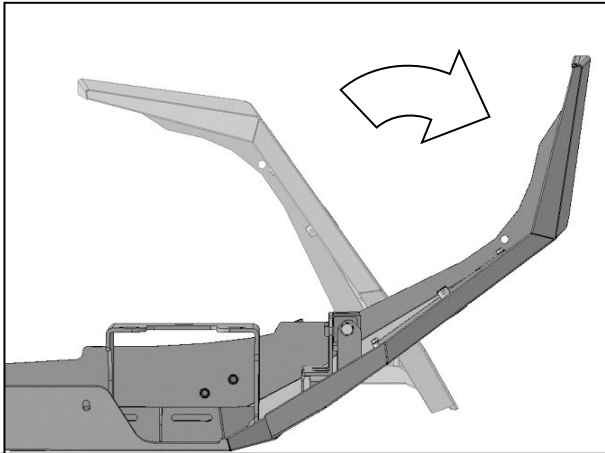
Insert Spacers
between sides of tow
hook and Bracket

(Fig 8) Attach Tow Hook Extension Bracket to bottom of frame. Slide a Spacer between each side of tow hook. Reuse short factory hex bolt to attach tow hook to Bracket.



(Fig 9) Attach Tow Hook Extension Bracket to bottom of frame. Driver/left side pictured

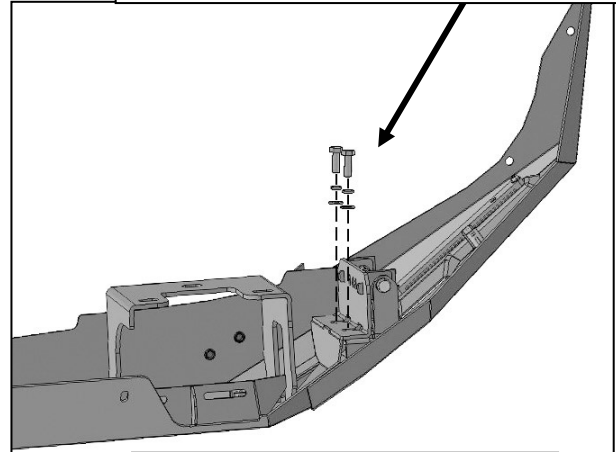
Passenger/Right Side Installation Pictured



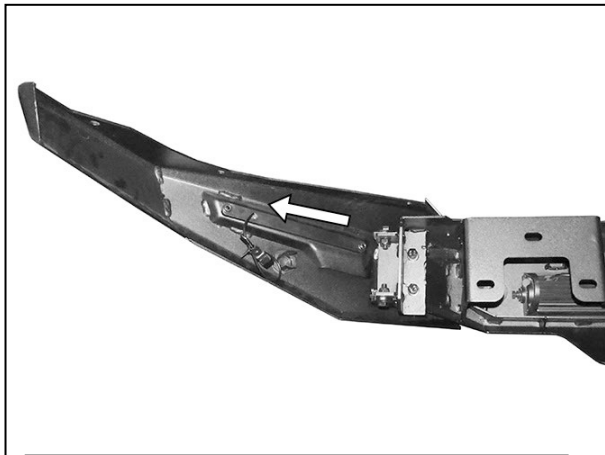
(Fig 10) Unfold outer Wings from center Bumper. Passenger/right side illustrated from below

WARNING! Do not crawl under bumper unless it is properly supported on blocks or stands or the bumper may fall.

- (2) 10mm x 30mm Hex Bolts
- (2) 10mm Lock Washers
- (2) 10mm x 20mm Small Flat Washers

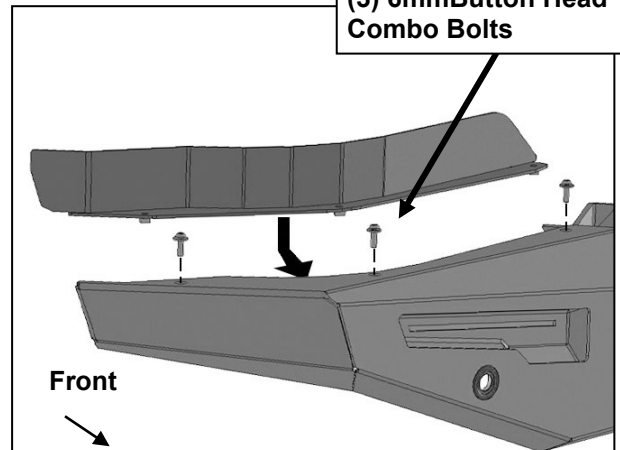


(Fig 11) Anchor outer Wings to back of center Bumper

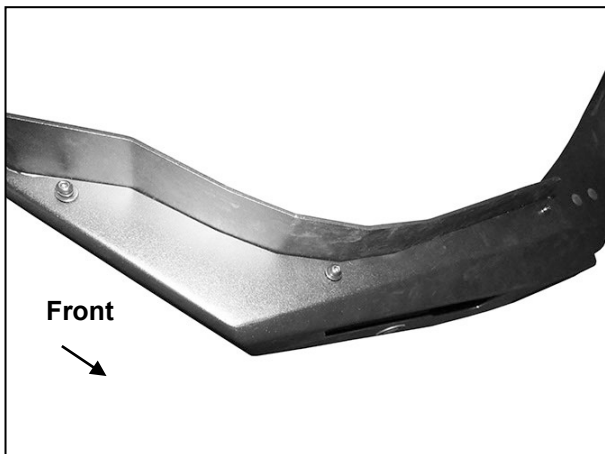


(Fig 12) Loosen hardware and pull Wing outward to widen overall Bumper

- (3) 6mm Button Head Combo Bolts

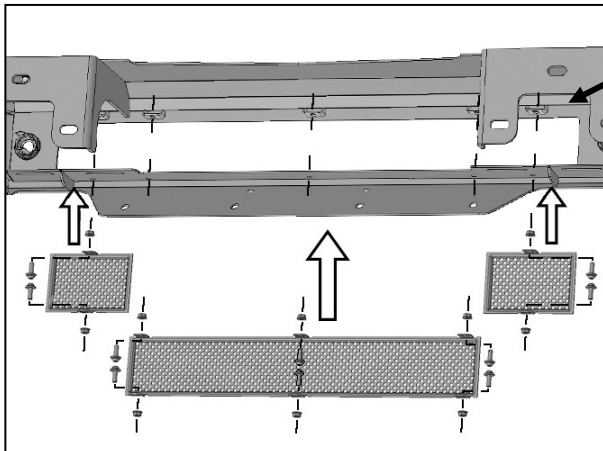


(Fig 13) Attach Top Fill Panel to top of Bumper



(Fig 14) Attach Top Fill Panel to top of passenger/right side of Bumper

Passenger/Right Side Installation Pictured

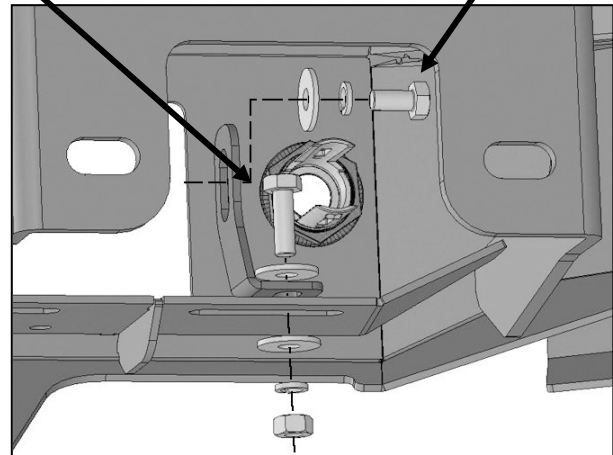


(10) 6mm Combo Bolts
(10) 6mm Flange Nuts

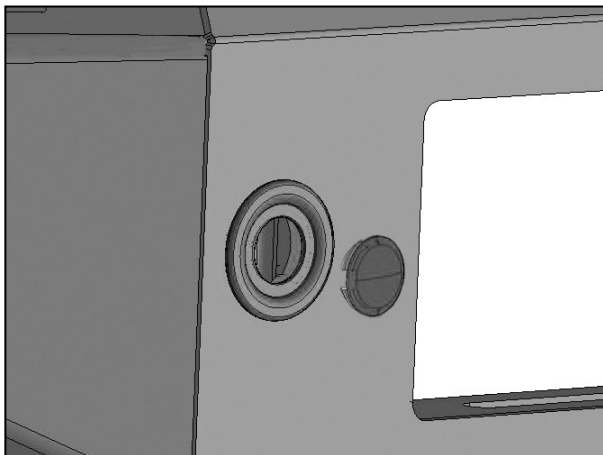
8mm x 25mm Hex Bolt
(2) 8mm Flat Washers
8mm Lock Washer
8mm Hex Nut

8mm x 16mm Hex Bolt
8mm Lock Washer
8mm Flat Washer

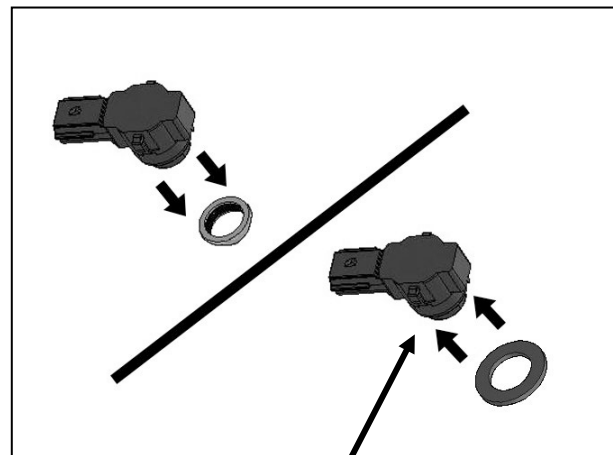
(Fig 15) Attach Inner and Center Mesh Plates to tabs on the back of the bumper as desired



(Fig 16) Passenger/right side "L" Bracket attached to the back of the Bumper. NOTE: Attach the "L" Bracket to the proper slot for the length of LED light

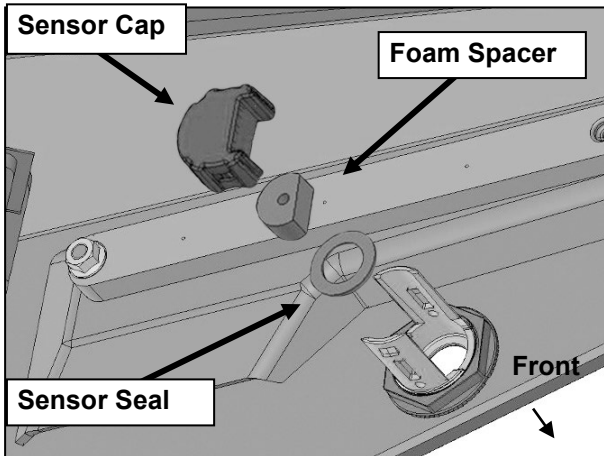


(Fig 17) Models without sensors, push Plastic Plugs into the sensor mounts

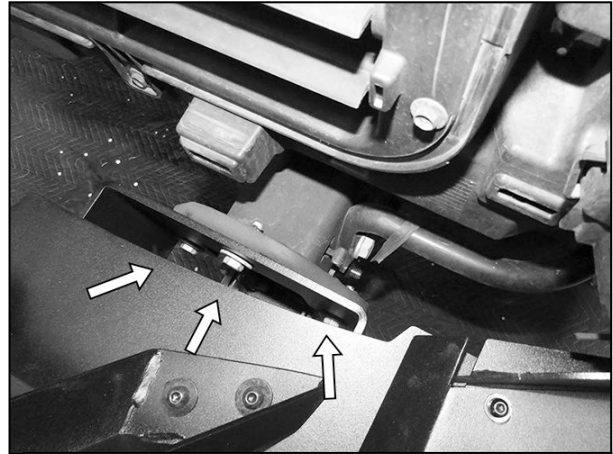


(Fig 18) Remove silicone seal from sensor. Slide large Seal over end of sensor (arrow)

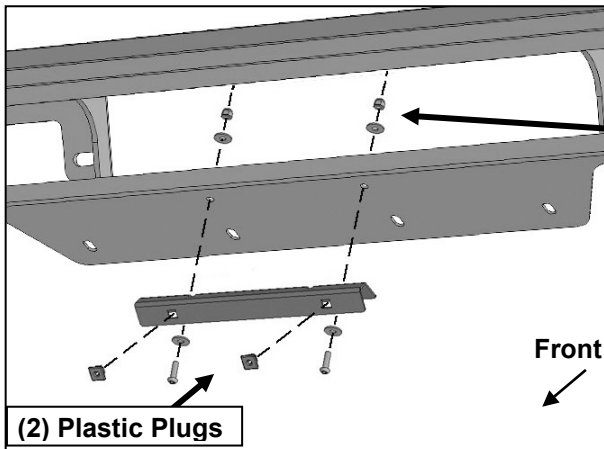
Passenger/Right Side Installation Pictured



(Fig 19) Slide sensor into sleeve, insert Foam Washer and Clip to lock sensor in sleeve



(Fig 20) Reuse the factory hex bolts to attach the Bumper to the end of the frame



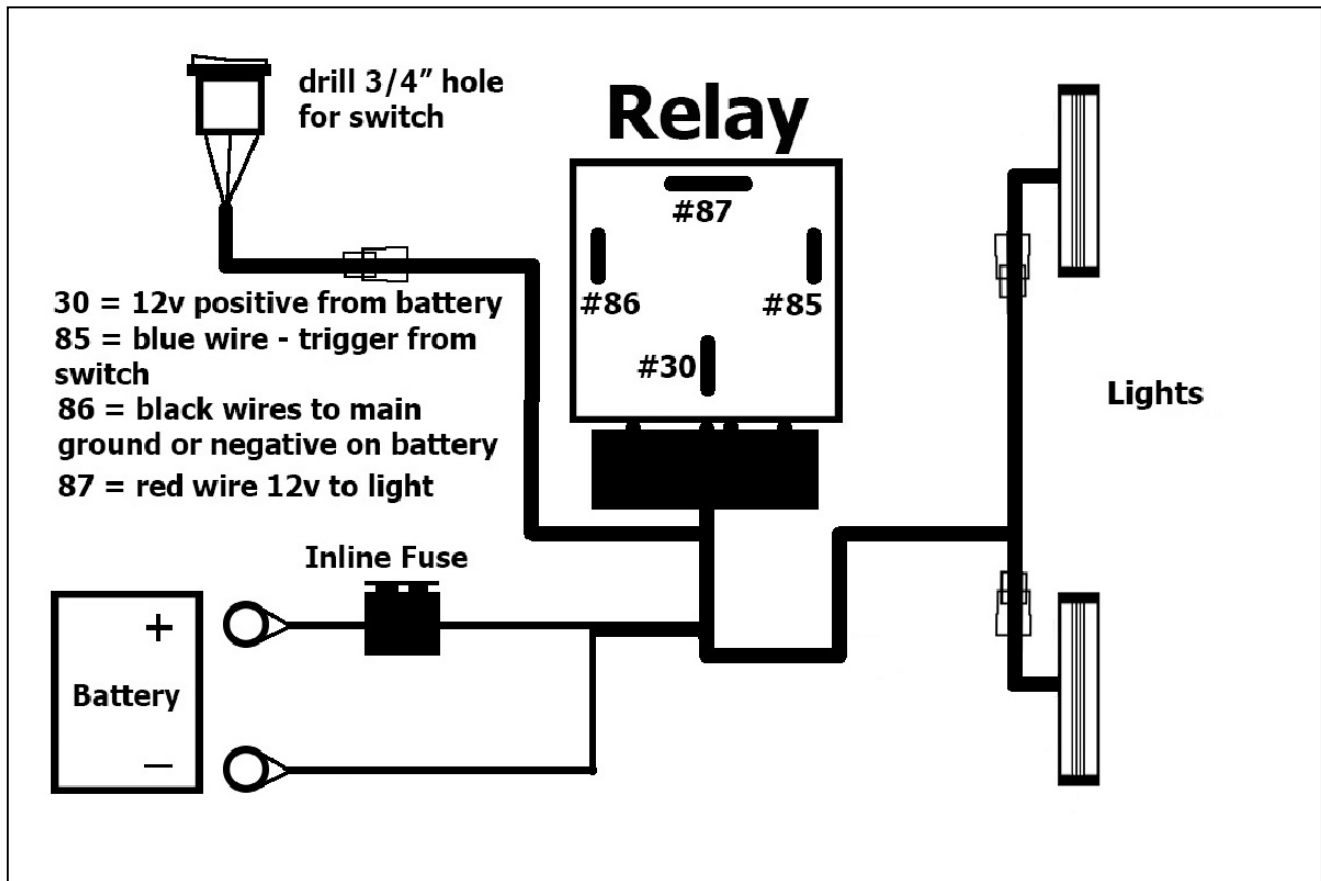
(2) Plastic Plugs

(Fig 21) Attach License Plate Bracket to Bumper

- (2) 6mm x 20mm Button Head Screws
- (4) 6mm Flat Washers
- (2) 6mm Nylon Lock Nuts



Complete Installation (lights and Bull Nose hoop light mount not included)



GENERAL LIGHT WIRING PROCEDURE:

1. REMOVE CONTENTS FROM BOX. VERIFY ALL PARTS ARE PRESENT. READ INSTRUCTIONS CAREFULLY. DRILLING IS REQUIRED. ELECTRICAL KNOWLEDGE IS HIGHLY RECOMMENDED.
2. Open hood and disconnect battery.
3. Unwrap preassembled wiring harness. Disconnect the plug in the harness leading to the lighted switch. Locate suitable mounting location for switch. Drill 3/4" hole in panel to mount switch. **IMPORTANT:** Do not drill any holes in panel until back of location is properly checked for clearance. Use of safety goggles is required.
4. Run switch harness through firewall on vehicle. Drill hole through firewall as required for harness plug. Highly recommend use of rubber grommet (not included) to protect harness. Feed switch harness plug through hole in firewall. Seal firewall with silicone as necessary.
5. Attach Relay and main harness to suitable location near battery (firewall or inner fender for example). Do not connect to battery at this time.
6. Attach switch plug to switch harness and tie harness away from anything that could damage harness.
7. Run the prewired light harness down to each light. Plug harness into prewired plug on each light. Tie wiring harness away from anything that could damage harness.
8. Attach the fused red positive and black negative wires on the main harness to the battery. **NOTE:** Attach black negative wire to negative terminal on battery or suitable chassis ground.
9. Reattach battery cables to battery. Installation is complete.
10. Do periodic inspections to the installation to make sure that all hardware is secure and tight and all wiring harnesses are properly secured and free from excessive movement.